

Atkinson FUELSTOP

THERMOSTATIC FIRE VALVE



The reset button can be used as an isolation valve when the burner is being serviced by pulling the button down but must be pressed up to activate the valve into the open position before the burner is fired up.

The capillary tube and sensor is intrinsically joined to the valve and must not be broken or cut, if this happens the valve will fail safe and any outstanding warranty will be void.

The Fuelstop does not require a power supply as its operation is mechanical. When the sensor detects heat at the burner that is above the set temperature range. The fluid in the sensor expands bellows in the valve body forcing the valve to snap closed. Note: The valve cannot be reset until the temperature has returned to normal.



FUELSTOP Fire Valve:

The Fuelstop is a safety valve designed to shut down the flow of fuel to the appliance in the event of the burner overheating or a fire near the appliance.

The valve is to be installed in the oil line at point of entry to the building. The sensor to be passed through the wall into the building and positioned above the burner in accordance with the burner manufacturer's instructions.

The oil line and capillary should be sleeved as it passes through walls and there should not be any sharp bends made in the capillary tube.

The safety valve is of a robust mechanical design manufactured of non-corrosive materials for external installation. Please ensure that the valve is installed with the reset button pointing down so that rain water cannot enter the valve body. (if it is necessary to install in vertical pipe work or upside-down, the valve must be housed in a weather proof enclosure).



The Fuelstop operates positively and quickly when required to do so due the products quality, design and its fluid filled sensor. (Valves that use air in the sensor can, in cold weather, nuisance trip and take longer to operate when necessary).

When the valve is tripped, appropriate action must be taken to restore normal operating conditions before the valve is re-set.

Fire Valves should be tested annually when the burner is serviced.

FUELSTOP Fire Valves comply with BS 5410 and are tested to OFS E101 being OFCERT certificated.

Technical Specification

Valve Body and Cover	Brass	Max Fuel Flow Rate:	
Sensor and Phial	Copper	Kerosene:	
Seals	Viton & HNBR	3/8 (10mm) connection	180ltr/hr at 1.2m head
Fuel Line Connections	3/8 BSPF FVC-72**10 & FVC-95**10	1/2 (15mm) connection	360ltr/hr at 1.2m head
With 10mm compression fittings:		Diesel:	
Nut	Brass	3/8 (10mm) connection	168ltr/hr at 1.2m head
Olive	Copper	1/2 (15mm) connection	335ltr/hr at 1.2m head
Support Tube	Brass		

Fuel Line Connections	1/2 BSPF FVC-72**12 & FVC-95**12	Min & Max shutdown temperature range:	
		FVC - 72****	66 – 72 degrees Centigrade
		FVC – 95****	86 – 96 degrees Centigrade

Capillary length 72 degree:

1.5m (5ft) 3m (10ft) 6m (20ft) 10m (33ft) 12m (40ft) 15m (50ft) 20m (66ft) 25m (83ft) 35m (116ft)

Sensor: 150mm long 12mm diameter.

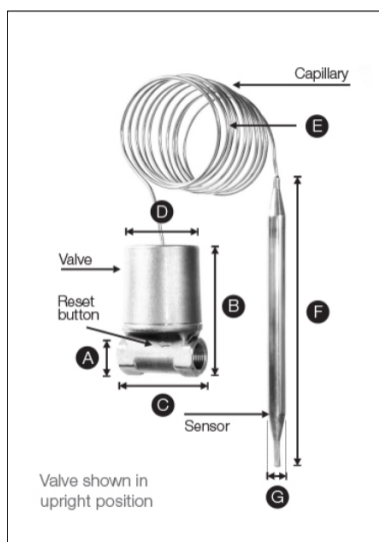
Capillary length 95 degree:

2m (6.5ft) 3m (10ft) 6m (20ft) 10m (33ft) 12m (40ft) 15m (50ft) 20m (66ft) 25m (83ft) 35m (116ft)

Sensor: 175mm long 12mm diameter.

Valve Body Dimensions:

Hight:		Width:	
3/8 (10mm)	72mm		49mm
1/2 (15mm)	74mm		57.4mm



Valve			
Connection sizes	Height (mm) (to top flat of dome)	Width (mm) (without fittings)	Depth (mm) (diameter of dome)
A	B	C	D
3/8" (10mm) connection Max Fuel Flow Rate 180ltr/hr at 1.2m head	72	49	47
1/2" (15mm) connection Max Fuel Flow Rate 360ltr/hr at 1.2m head	74	57.4	47

Test in accordance with correct standards.
Fire valve testing kits are available from merchants.

Capillary & Sensor			
Min & max agitation temperature ranges (°C)	Capillary Length (m)	Sensor Length (mm)	Sensor Diameter (mm)
	E	F	G
66 - 72	1.5	150	12
	3	150	12
	6	150	12
	10	150	12
	15	150	12
	20	150	12
86 - 95	25	150	12
	35	150	12
	2	175	12
	3	175	12
	6	175	12
	10	175	12
	15	175	12
20	175	12	
25	175	12	
35	175	12	

Manufactured by

Atkinson Equipment Limited

Moat Road West Wilts Trading Estate Westbury Wiltshire BA13 4JF

Tel: 01373822220 – Fax: 01373826996 – email: sales@fuelstop.co.uk

www.fuelstop.co.uk