

Z2 BIB C

COMMERCIAL Tap Range Single Soft Touch Timed Flow Tap Chrome



Specification

Product Type:	Utility
Main Construction Material:	Brass
Connection Inlet:	½" BSP
Connection Outlet:	N/A
Number of Tap Holes:	1
Valve/Cartridge Type:	Self Closing Valve
Plumbing System Requirements:	All - Ideally Balanced
Working Pressure Range:	Min. 0.5 Bar, Max. 5.0 Bar (with pressure reducing valve fitted)
Maximum Hot Water Temperature: °C	65
Maximum Static Pressure: (bar)	10

Features:

- Timed shut off to meet BS EN 816
- Soft touch easy to use mechanism
- Supplied with both hot and cold indices
- Supplied with 5 L/min flow regulator
- Operates at a minimum pressure of 0.5 bar

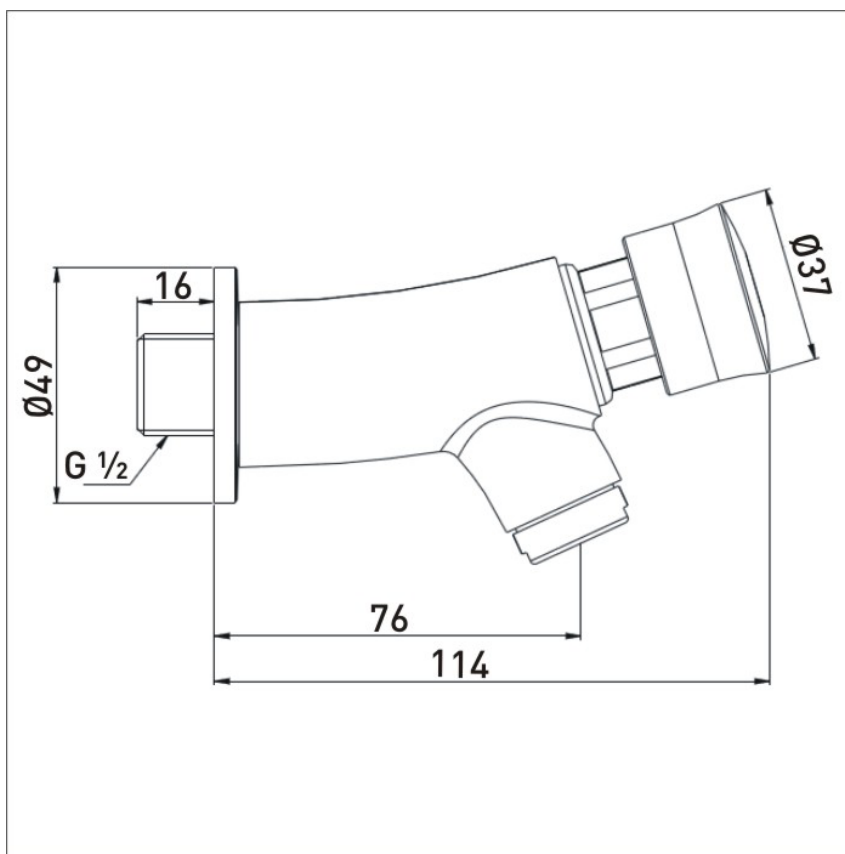
Product Certifications:



WRAS Cert. Number: 1907903
WRAS Expiry Date: 31/07/2024



Dimensions (measurements in mm)



Flow Rates (l/min)

System Pressure (bar)	0.2	0.5	1	2	3	5
Z2 BIB C	2.4	3.8	4.2	4.6	4.7	4.9

TECHNICAL
DATA
SHEET



BRISTAN

D9