

RS BIB C

RENAISSANC Tap Range Renaissance Bib Taps Chrome



Features:

- Long life and easy to use 1/4 turn ceramic disc valves
- Product shown with up-stands
- Up-stands and horizontal extension pipes available separately

Product Certifications:



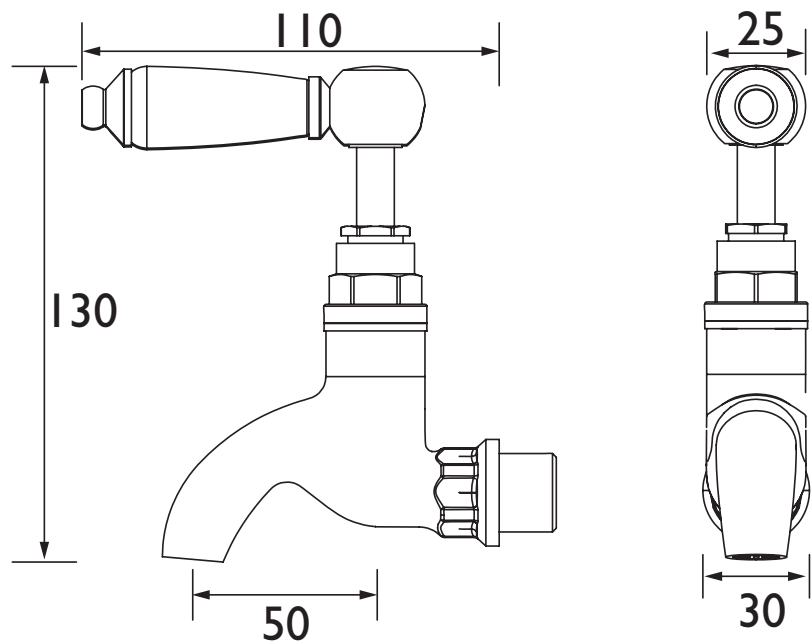
For more products, visit our website:
<http://www.bristan.com>



Specification

Product Type:	Taps
Main Construction Material:	Brass
Mount Type:	Deck
Handle Type:	Lever
Connection Inlet:	1/2" BSP
Connection Outlet:	N/A
Number of Tap Holes:	2
Valve/Cartridge Type:	1/2" Ceramic Disc Valves - 1/4 Turn
Plumbing System Requirements:	Suitable for all plumbing systems
Minimum Dynamic Pressure (bar):	0.2 bar
Maximum Dynamic Pressure (bar):	5.0 bar
Maximum Hot Water Temperature °C:	65°C
Maximum Static Pressure (bar):	10 bar
Isolation Included:	No

Dimensions (measurements in mm)



Flow Rates (l/min)

System Pressure (bar)	0.2	0.5	1	2	3	5
RS BIB C (Cold)	7.2	11.6	16.6	23.7	28.8	37.2
RS BIB C (Hot)	7.2	11.6	16.6	23.7	28.8	37.2

TECHNICAL DATA SHEET



BRISTAN

D8