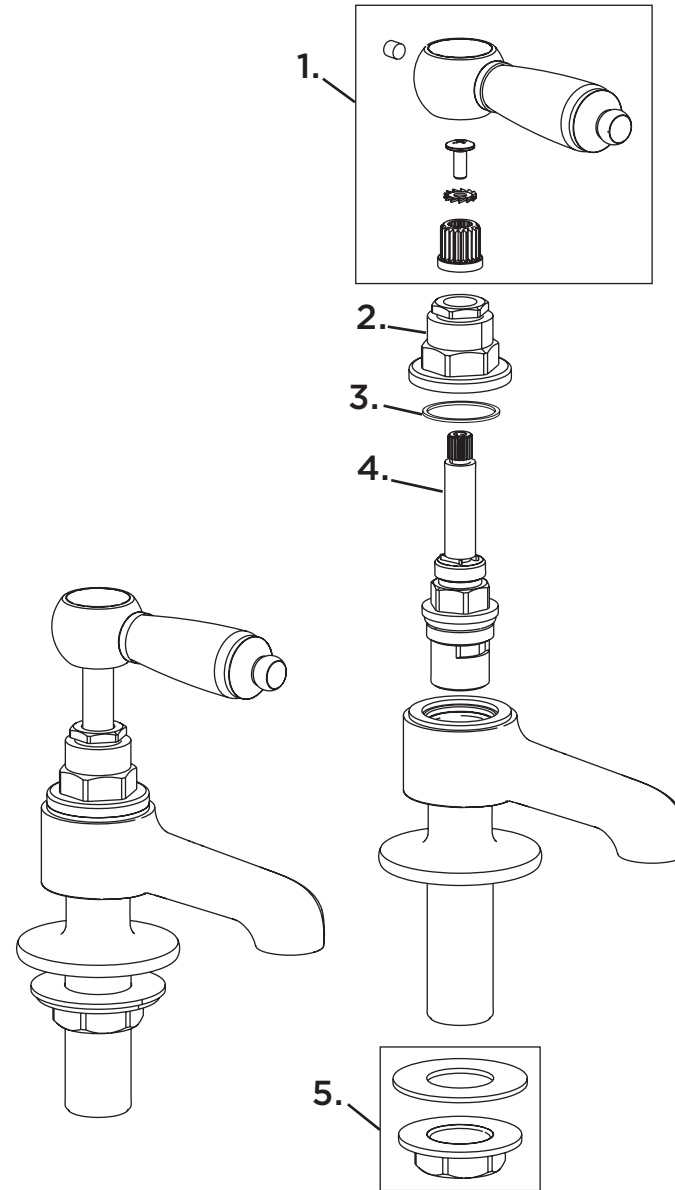


**Product Code:** RS2 1/2 C**Revision:** R1

1	Handle Assembly
2	Shroud
3	Decorative Fibre Washer
4	Valve
5	Fixing Kit