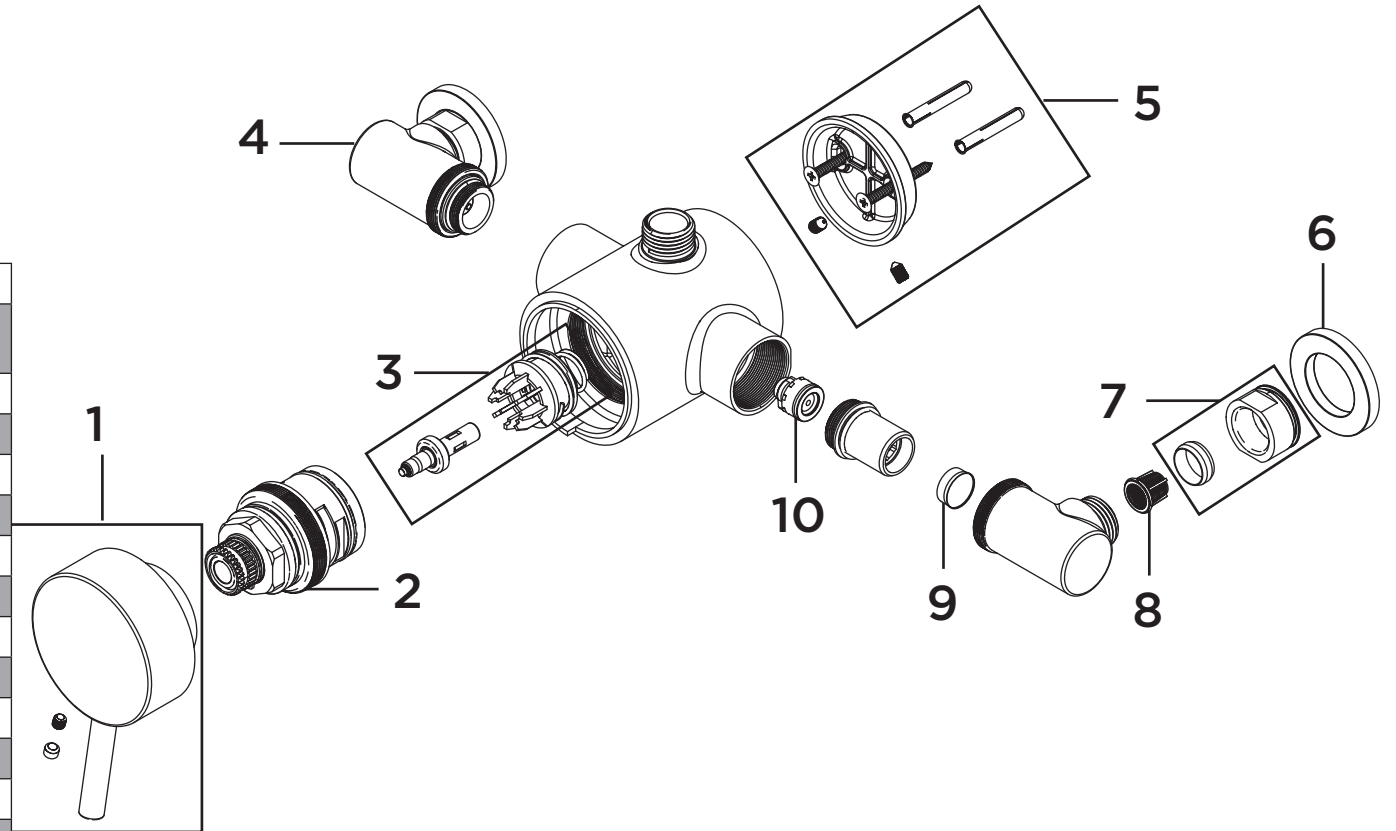


Product Code: PM2 SQSHXDIV C

Revision: D2

1	Handle Assembly
2	Cartridge inc. Thermostat and Piston
3	Thermostat and Piston
4	Elbow Assembly
5	Backplate and Screws
6	Plinth
7	Nut & Olive
8	Basket Filter
9	8lpm Flow Limiter
10	Check Valve
11	Wall Bracket Assembly
12	Fixed Head
13	Wall Arm
14	Riser Rail
15	Slider
16	Hose
17	Multi-Function Handset
18	Nut
19	Diverter Cartridge
20	Cartridge Retaining Nut
21	Diverter Handle
22	Threaded Adaptor



Product Code: PM2 SQSHXDIV C
Revision: D2

1	Handle Assembly
2	Cartridge inc. Thermostat and Piston
3	Thermostat and Piston
4	Elbow Assembly
5	Backplate and Screws
6	Plinth
7	Nut & Olive
8	Basket Filter
9	8lpm Flow Limiter
10	Check Valve
11	Wall Bracket Assembly
12	Fixed Head
13	Wall Arm
14	Riser Rail
15	Slider
16	Hose
17	Multi-Function Handset
18	Nut
19	Diverter Cartridge
20	Cartridge Retaining Nut
21	Diverter Handle
22	Threaded Adaptor

