

## **AFTERCARE INSTRUCTIONS**

Your fitting has a high quality finish and should be treated with care to preserve the visible surfaces.

All surface finishes will wear if not cleaned correctly, the only safe way to clean your mixer is to wipe with a soft damp cloth. Stains can be removed using washing up liquid. All bath cleaning powders and liquids will damage the surface of your fitting, even the non-scratch cleaners. **NOTE: Never use abrasive detergents or disinfectants or those containing alcohol, hydrochloric acid or phosphoric acid.**

## **GUARANTEE**

All products are manufactured to the highest standards and a 5 year guarantee covers any defect in manufacture.

**NOTE: The 5-year guarantee on the cartridge is invalidated if damaged by any waterborne debris.**

**All products must have access for servicing or replacement during the life of the product.**

In the interests of continuous product development we reserve the right to alter specification as necessary

**PRODUCT IDENTIFICATION CODE LASER ETCHED ON PRODUCT**  
Installer please fill in code here \_\_\_\_\_.(Where applicable)

TELEPHONE HELPLINE: 0844 701 6273

Bristan Group Limited  
Birch Coppice Business Park  
Dordon  
Tamworth  
Staffordshire  
B78 1SG  
UK  
A Masco Company  
Website: [www.bristan.com](http://www.bristan.com)  
Telephone: 0844 701 6274  
Facsimile: 0844 701 6275  
Email: [enquire@bristan.com](mailto:enquire@bristan.com)

# BRISTAN

## **Angled Hose Connector (CON1 C)**

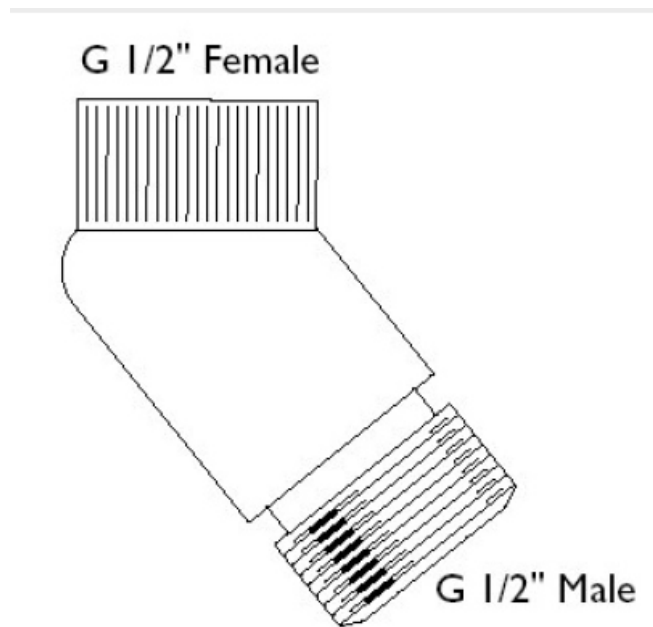
## **Fitting Instructions**

**Please keep these instructions for future reference and request of replacement part**

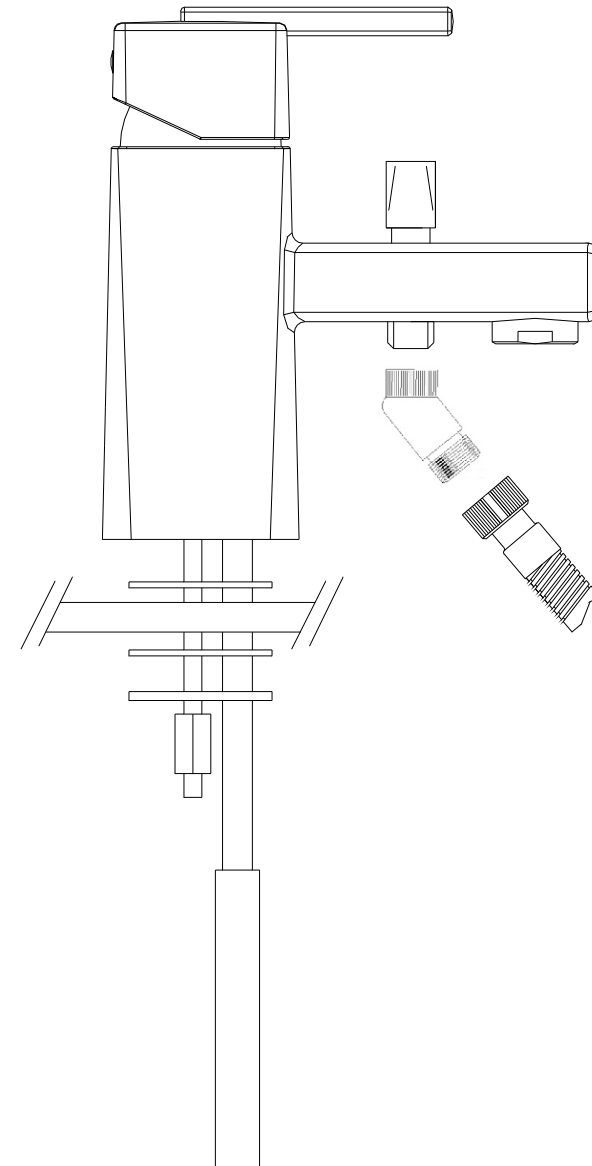
This hose connector aids the installation of shower hoses, when room is restricted.  
Can be used with most Bristan bath shower mixers with bottom hose outlet connections.

### INSTALLATION

1. Identify all components and check for completeness.
2. Fit the hose connector to bath shower mixer or shower using washers supplied.
3. Then connect the hose to the connector.
4. Connect the hot and cold water supplies.
5. Fully open both valves, letting them run for a few minutes to flush the system and check all joints and connections for leaks.
6. See back page for aftercare instructions.



### INSTALLATION DIAGRAM (Example)



### PLEASE NOTE:

In the unlikely event you find a part missing, please contact our Customer Service helpline on **0844 701 6273** for immediate dispatch of part