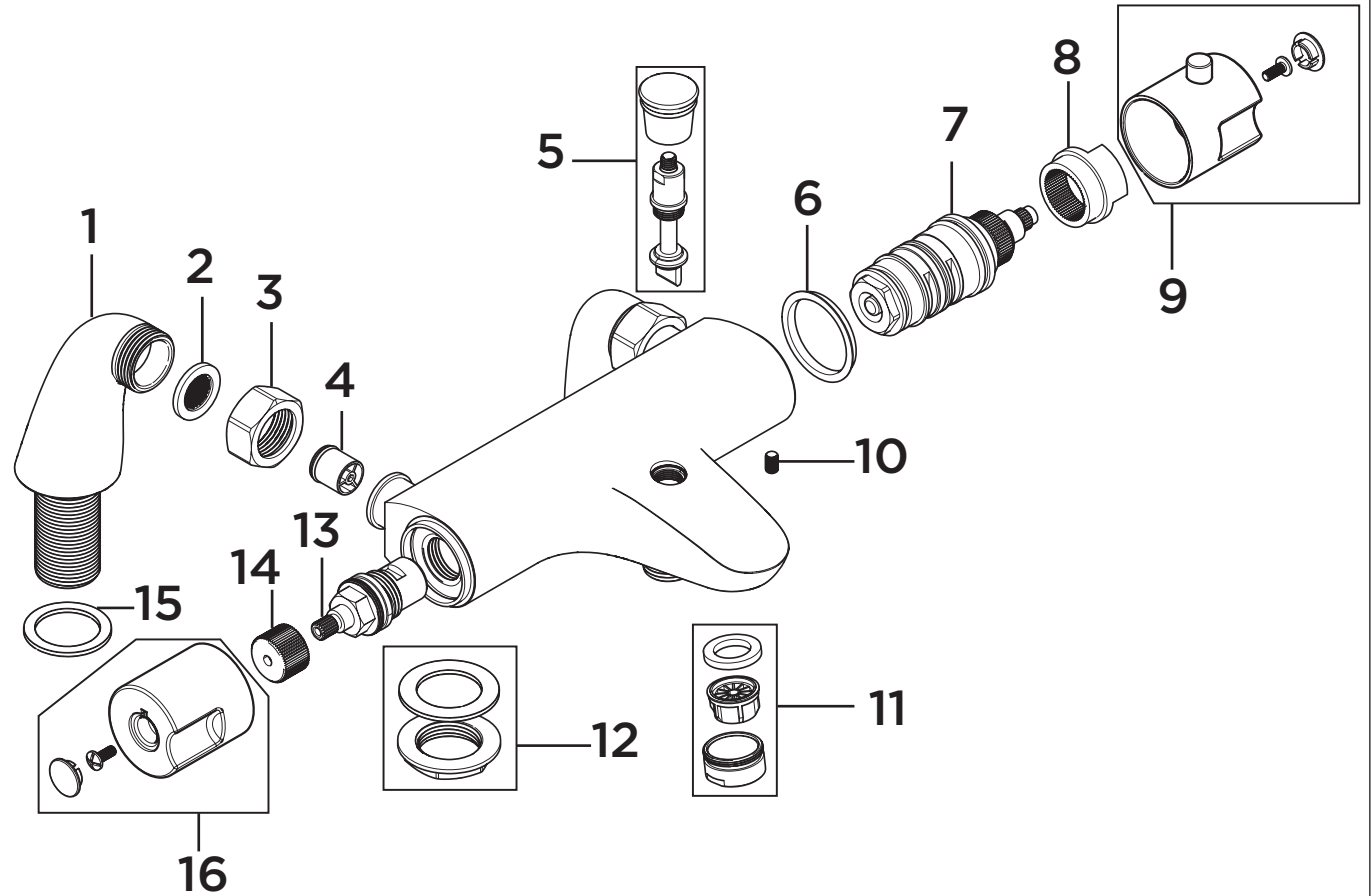


Product Code: AS2 THBSM C

Revision: D3



1	Pillar Legs (Pair)
2	3/4" Filter Washers (Pair)
3	Nut (Pair)
4	Check Valve
5	Diverter Mechanism with Knob
6	Shroud
7	Thermostatic Cartridge
8	Temperature Stop
9	Temperature Handle Assembly
10	Cartridge Retaining Screw
11	Flow Straightener
12	3/4" Backnut & Washer
13	1/2" Ceramic Disc Valve
14	Spline Adapter
15	Leg Washers (Pair)
16	Flow Handle Assembly