

# AS2 THBSM C

## ASSURE Tap Range Assure TMV2 Thermostatic Bath Shower Mixer Chrome



### Features:

- TMV2 thermostatic control for a higher level of performance and protection
- Dual control - flow and temperature are controlled separately
- Pre-set maximum temperature at 38°C can be overridden by the user
- Minimum working pressure of 0.5 bar
- Supplied without shower kit

### Product Certifications:



WRAS Cert. Number: 2309907  
WRAS Expiry Date: 30/09/2028



TMV2 Cert. Number: 2310966  
TMV2 Expiry Date: 15/08/2028

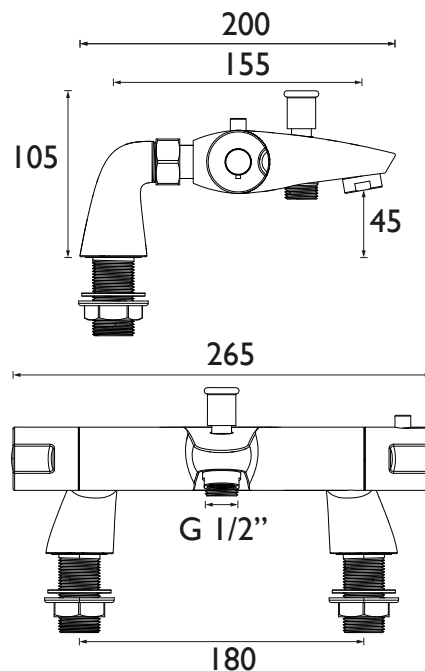
For more products, visit our website:  
<http://www.bristan.com>



### Specification

<b>Product Type:</b>	Bathroom Taps
<b>Main Construction Material:</b>	Brass
<b>Mount Type:</b>	Deck
<b>Handle Type:</b>	Round
<b>Connection Inlet:</b>	3/4" BSP
<b>Connection Outlet:</b>	G 1/2"
<b>Number of Tap Holes:</b>	2
<b>Valve/Cartridge Type:</b>	1/2" Ceramic Disc Valve & Thermostatic Cartridge
<b>Plumbing System Requirements:</b>	Suitable for Nominally Balanced Supply Pressures Only
<b>Minimum Dynamic Pressure (bar):</b>	0.5 bar
<b>Maximum Dynamic Pressure (bar):</b>	5 bar
<b>Maximum Hot Water Temperature °C:</b>	65°C
<b>Maximum Static Pressure (bar):</b>	10 bar
<b>Flow Type:</b>	Single
<b>Isolation Included:</b>	No

### Dimensions (measurements in mm)



### Flow Rates (l/min)

System Pressure (bar)	0.5	1	2	3	4	5
AS2 THBSM C (mixed)	8.1	12.2	17.7	21.8	25.4	28.5

## TECHNICAL DATA SHEET



# BRISTAN

D12