

AR2 THLBSM C

ARTISAN Tap Range Artisan Thermostatic Lever Handle Bath Shower Mixer Chrome



Specification

Style:	Contemporary
Product Type:	Bath Shower Mixer
Main Construction Material:	Brass
Mount Type:	Deck Mounted
Handle Type:	Lever
Connection Inlet:	G 3/4" BSP
Connection Outlet:	G 1/2"
Number of Tap Holes:	2
Valve/Cartridge Type:	1/2" CD Valve & Thermostatic Cartridge
Plumbing System Requirements:	Nominally Balanced Supply Pressures Only
Working Pressure Range:	Min 0.5 Bar, Max 5.0 Bar
Maximum Hot Water Temperature: °C	80
Maximum Dynamic Pressure: (bar)	5
Maximum Static Pressure: (bar)	10
Flow Type:	Single
Flow Rate: (l/min @ 3 bar)	24.9
Isolation Included:	No

Features:

- Thermostatic control to both shower and bath functions for added safety
- Dual control metal lever handles
- Pre-set maximum temperature at 38c can be overridden by the user
- Operates at a minimum pressure of 0.5 bar
- Supplied without shower kit

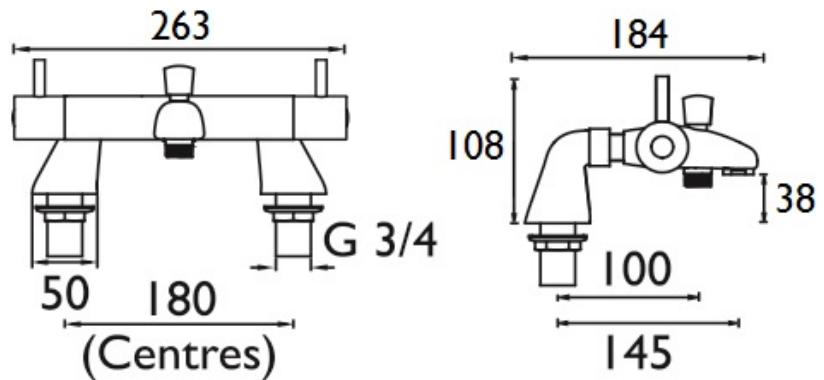
Product Certifications:



WRAS Certificate No: 2010043
WRAS Expiry Date: 31/10/2025



Dimensions (measurements in mm)



Flow Rates (l/min)

System Pressure (bar)	0.5	1	2	3	5
AR2 THLBSM C	10.6	15.6	22.5	27.7	36.2

For more products, visit our website:
<http://www.bristan.com>



TECHNICAL
DATA
SHEET



BRISTAN