

Install the new slidebar supports to the slidebar.

Orientate the hole on the slidebar supports in line with the locking peg on mounting bracket.

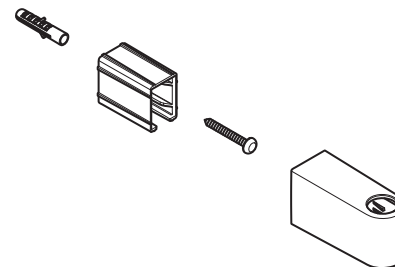
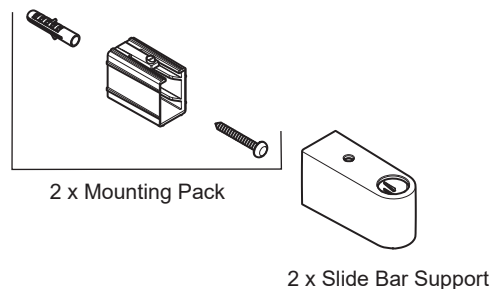
Ensure an equal length of slidebar protrudes from the top and bottom slidebar support and push onto mounting brackets. Ensure it clicks into place.

Caution! DO NOT force assembly onto the mounting brackets. Re-align slidebar support if required.

Important! Ensure that the locking peg clicks in and is fully engaged in the hole in the slidebar support.

Push fit the endcaps into both ends of the slidebar.

Mira Wall Brackets - Single Outlet Fittings GP1502014W



**Must be fitted by a competent tradesperson.
These instructions must be left with the user**

Registered Office:
Cromwell Road,
Cheltenham,
Gloucestershire
GL52 5EP

Telephone: 0800 001 4040
E-mail: askus@mirashowers.co.uk

Mira is a registered trade mark of Kohler Mira Limited.
The company reserves the right to alter product specifications without notice.
www.mirashowers.co.uk

EU Importer address:
Kohler France S.A.S.
30 Boulevard de la Bastille,
75012 Paris,
France

mira
SHOWERS

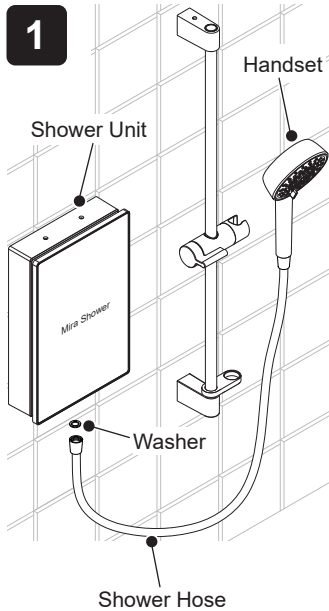


Genuine Mira Spare Parts

Showering perfection

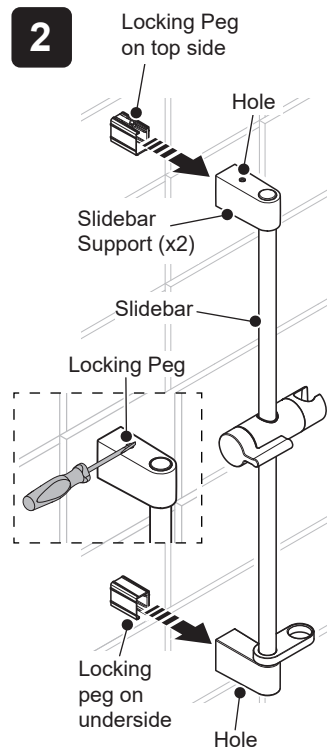
mira
SHOWERS

Replace the Wall Brackets

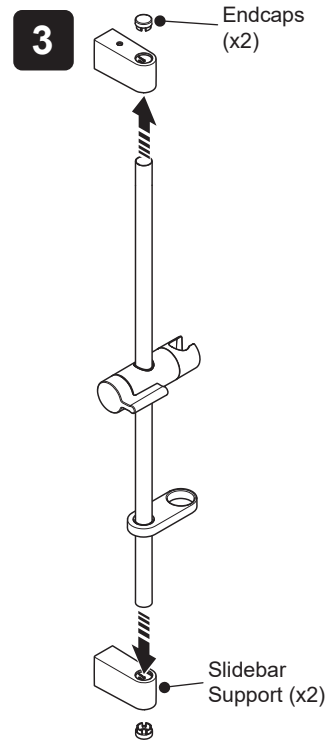


Disconnect the hose from the shower unit.

Retain all parts carefully for reinstallation.

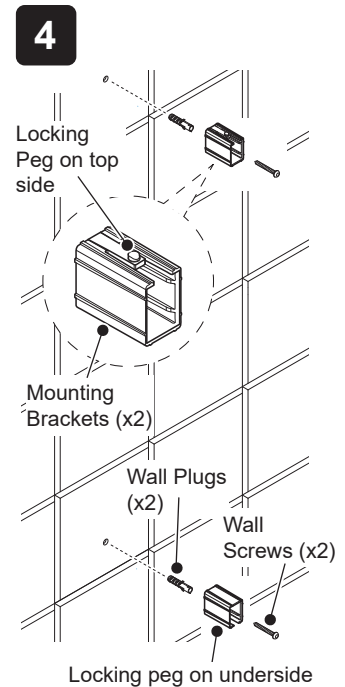


Using a suitable tool, push and hold down the locking peg through the hole in the slidebar support and pull off.



Remove the end caps and slidebar supports from both ends of the slidebar.

Discard the existing slidebar supports.



Remove and discard the existing mounting brackets, wall plugs and screws.

Install the new mounting brackets using supplied wall plugs and screws.