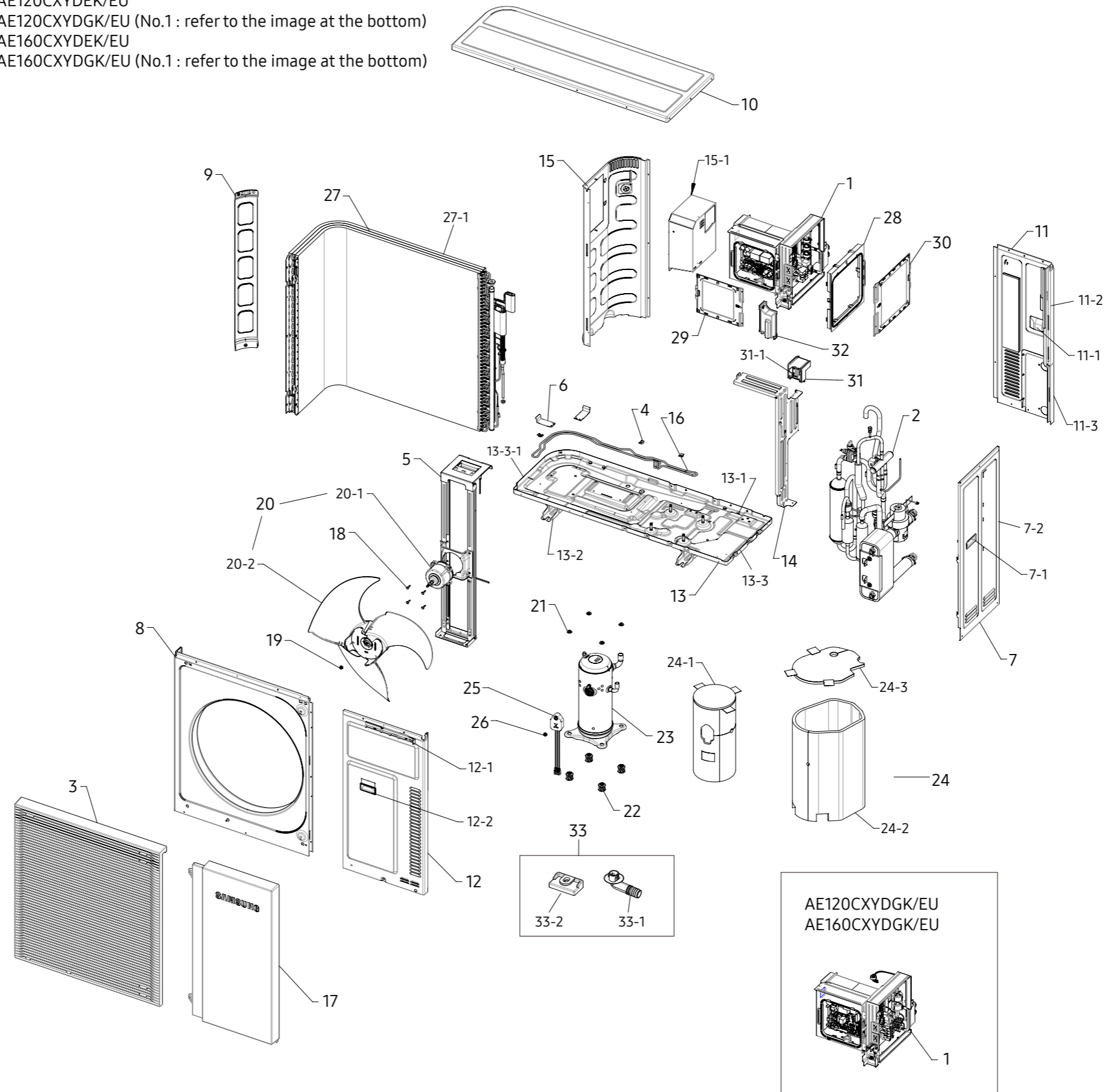


# Exploded Views and Parts List

## ■ AE120CXYDEK/EU, AE160CXYDEK/EU, AE120CXYDGK/EU, AE160CXYDGK/EU

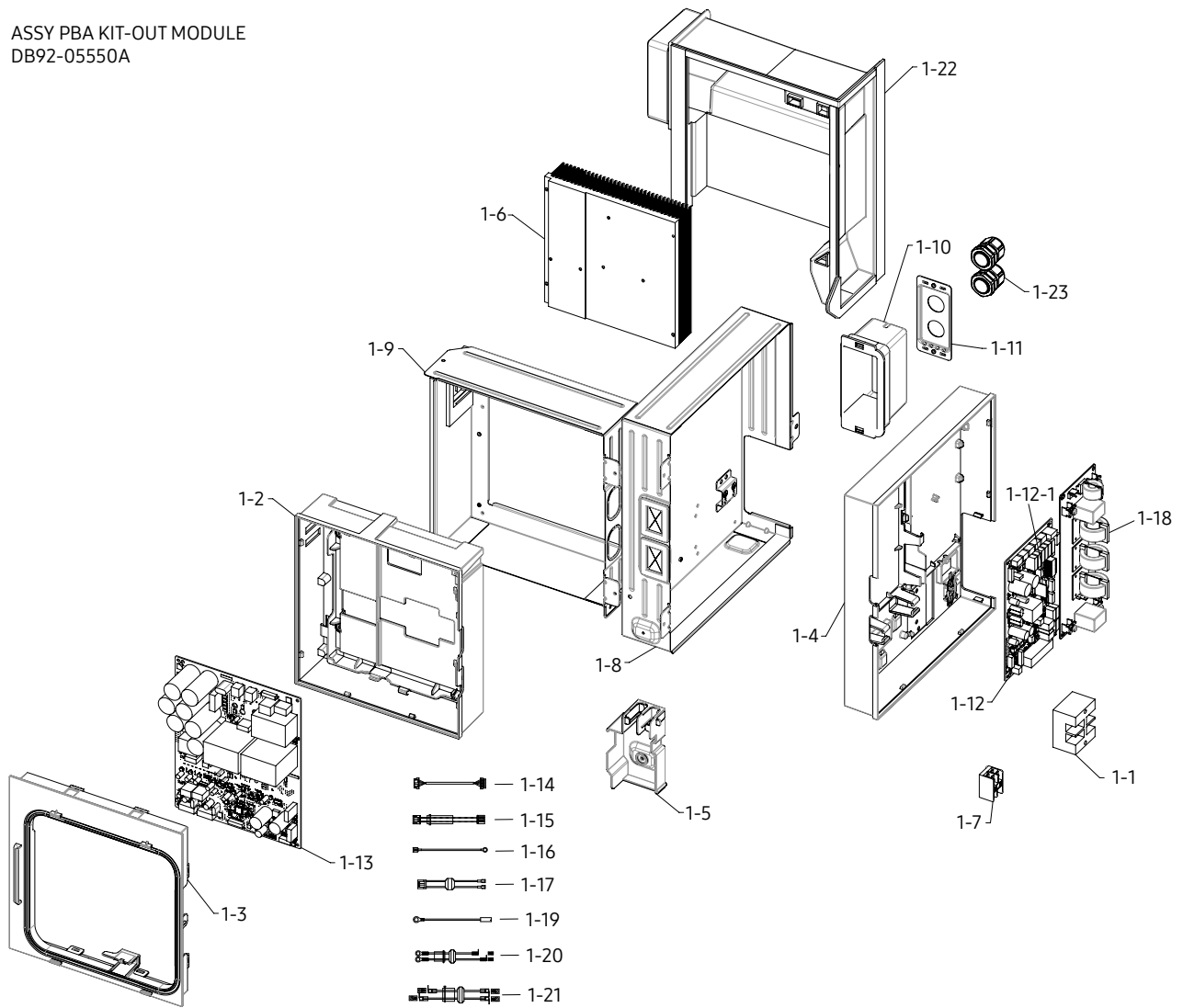
AE120CXYDEK/EU  
 AE120CXYDGK/EU (No.1 : refer to the image at the bottom)  
 AE160CXYDEK/EU  
 AE160CXYDGK/EU (No.1 : refer to the image at the bottom)



# Exploded Views and Parts List

## AE120CXYDEK/EU, AE160CXYDEK/EU

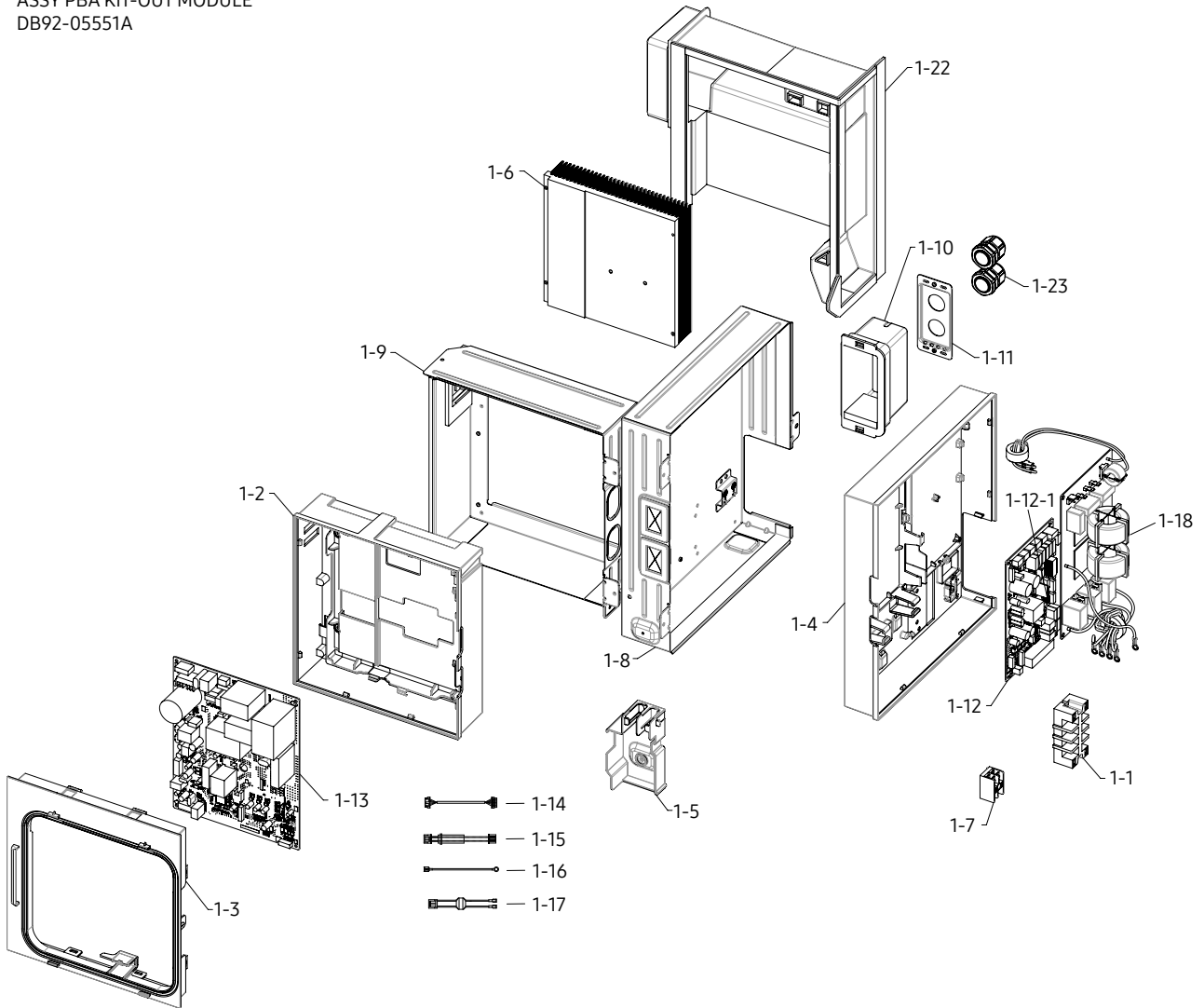
ASSY PBA KIT-OUT MODULE  
DB92-05550A



# Exploded Views and Parts List

## AE120CXYDGK/EU, AE160CXYDGK/EU

ASSY PBA KIT-OUT MODULE  
DB92-05551A



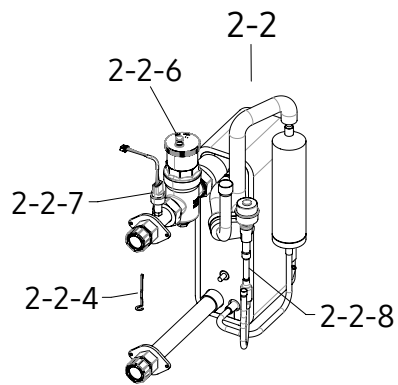
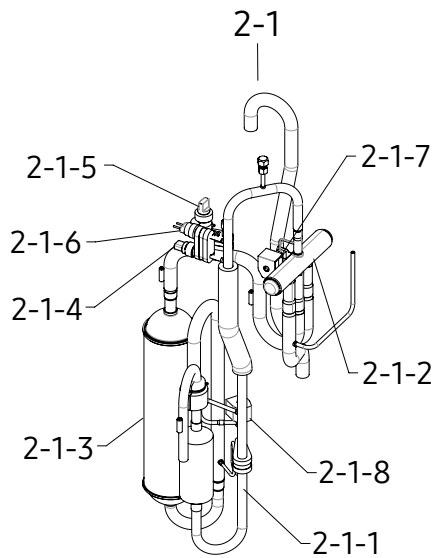
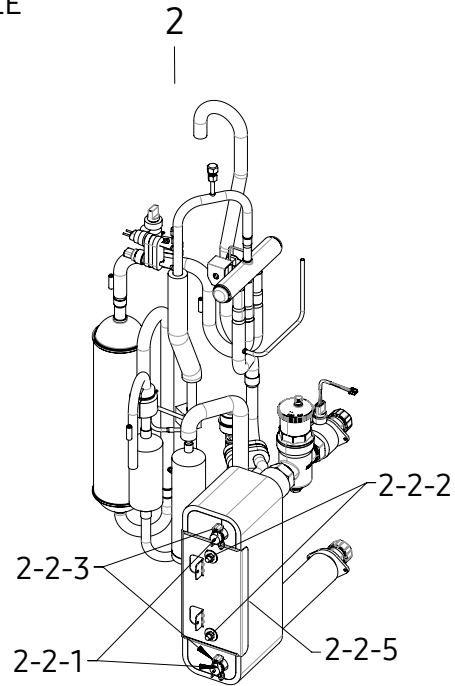
---

## Exploded Views and Parts List

---

AE120CXYDEK/EU, AE160CXYDEK/EU, AE120CXYDGK/EU, AE160CXYDGK/EU

ASSY PATH-MODULE  
DB94-09676A



## Exploded Views and Parts List

### AE120CXYDEK/EU, AE160CXYDEK/EU

No.	Code No.	Description	Specification	QTY	SA/SNA
1	DB92-05550A	ASSY PBA KIT-OUT MODULE	OUTDOOR,EHS R290_general,PF5_UBS,Standard	1	SNA
2	DB94-09676A	ASSY PATH-MODULE	AE160CXYDEK/EU	1	SNA
3	DB63-04402A	GUARD FAN	EHS LOW NOISE,PP+TD20%,T3,BLACK CAVIAR,-,MT72S	1	SA
4	DB90-10783A	ASSY HOLDER	AE090MXEDEH/SC	3	SA
5	DB90-12480A	ASSY BRACKET MOTOR	AE6000B,ASSY	1	SA
6	DB90-12482A	ASSY COVER PLATE-LOW	AE6000B,GI-SGCC T1.2 PAINT	2	SA
7	DB90-12488B	ASSY CABI SIDE-RH	R290_UBS	1	SA
7-1	DB64-02613D	HOLDER-UP	EHS LOW NOSIE,PP+TD20%,-,BLACK CAVIAR,-,-,MT72S	1	SA
7-2	DB90-13085A	ASSY CABI SIDE-RIGHT	R290_UBS	1	SA
8	DB90-12491A	ASSY CABI FRONT-LF	EHS LOW NOISE	1	SA
9	DB90-12493A	ASSY CABI BACK-LF	EHS LOW NOISE	1	SA
10	DB90-12496A	ASSY CABI TOP	AE6000B,EHS MONO LOW NOISE	1	SA
11	DB90-12500B	ASSY CABI BACK-RH	R290_UBS	1	SA
11-1	DB64-02613D	HOLDER-UP	EHS LOW NOSIE,PP+TD20%,-,BLACK CAVIAR,-,-,MT72S	1	SA
11-2	DB90-13086A	ASSY CABI BACK-RIGHT	R290_UBS	1	SA
11-3	DB64-03594A	CABINET BACK-LOW	UBS-S,GI-SGCC,T1,-,-,-	1	SNA
12	DB90-12501B	ASSY CABI FRONT-RH	R290_UBS	1	SA
12-1	DB61-07772A	CASE-SUB	EHS LOW NOISE,PP+TD20%,-,L387.9,BLACK CAVIAR,-,MT72S	1	SA
12-2	DB64-02613D	HOLDER-UP	EHS LOW NOSIE,PP+TD20%,-,BLACK CAVIAR,-,-,MT72S	1	SA
13	DB90-13048A	ASSY BASE OUT	R290_UBS	1	SA
13-1	6011-007032	BOLT-HEX	M6,L12,Zn-Ni(SIL),HWH,SWRCH18A,Coating HWH,Organic/Inorganic/Ceramic	8	SA
13-2	DB90-12495A	ASSY CABI BASE-SUPPORT	AE6000B,EHS MONO LOW NOISE	2	SA
13-3	DB90-13057A	ASSY CABI BASE	R290 UBS	1	SA
13-3-1	DB61-08027A	BASE-OUT	UBS,GI-SGCC,T1.6,-,-,-	1	SA
14	DB90-13108A	ASSY BRACKET	UBS	1	SA
15	DB94-09125B	ASSY PARTITION	R290_UBS	1	SA
15-1	DB67-01833A	PARTITION-SUB	UBS,GI-SGCC,T0.8,-,-,-	1	SNA
16	DB47-00100B	HEATER SHEATH-BASE	AC230V,150W,-,-,L2400,-,YH396-03VR(BLUE),-	1	SA
17	DB63-04401A	COVER FRONT	EHS LOW NOISE,PP+TD20%,T3,-,BLACK CAVIAR,-,MT72S	1	SA
18	DB60-00150A	SCREW-SPECIAL	HWH,M4,L26,ZPC(WHT),SWRCH18A	4	SA
19	DB60-00405A	FASTENER-WASHER	RC100ZHXA,SWRCH10A,M8	1	SA
20	DB94-09292A	ASSY FAN OUT-MODULE	ASSY FAN PROPELLER DB94-08967A, MOTOR DB31-00643H	1	SNA
20-1	DB31-00643H	MOTOR BLDC FAN	SIC-88FWJ-F1122-1,610rpm,310V,0.39A,122W,10Pole,CW	1	SA
20-2	DB94-08967A	ASSY FAN PROPELLER	Fan Propeller,OD630	1	SA
21	DB60-30028A	NUT-FLANGE	HWH,M8,ZPC(WHT),SWRCH18A,P1.25/Washer Type(WP)	4	SA
22	DB92-04292A	ASSY DAMPER-GROMMET	AC036MXSCCC/AA	4	SA
23	DS4HC5066FNA	SCP,COMP,SCP,F,R290		1	-
24	DB94-09671A	ASSY FELT-MODULE	AE160CXYDEK/EU	1	SNA
24-1	DB63-04555A	FELT-COMP SIDE	EHS R290 PUMP 16KW,FELT,T10,-,HF-1,-,-	1	SNA
24-2	DB63-04556A	FELT-COMP OUT	EHS R290 NO PUMP 16KW,FELT/PVC,T17.5,-,HF-1,-,-	1	SNA
24-3	DB63-04558A	FELT-COMP TOP OUT	EHS R290 NO PUMP 16KW,FELT/PVC,T17.5,-,HF-1,-,-	1	SNA

## Exploded Views and Parts List

### AE120CXYDEK/EU, AE160CXYDEK/EU

No.	Code No.	Description	Specification	QT'Y	SA/SNA
25	DB93-17873A	ASSY CONNECTOR WIRE-COMP	3,3343,12,RED,HLH1005-03/BLK,HLT1005,1-1742539-3,1500,PVC,1350,-,-,INV PBA-COMP,PF5/6,EHS R290,scroll_UBS	1	SA
26	6021-002082	NUT-HEXAGON FLANGE	SWRCH10A,ZPC(WHT),M8	1	SNA
27	DB96-26522A	ASSY COND-MODULE	AE160CXYBEK/EU,3R46C	1	SA
27-1	DB96-26525A	ASSY COND	AE160CXYBEK/EU,3R46C	1	SA
28	DB61-08003A	CASE CONTROL-UP	UBS-S,ABS,-,L352,NATURAL,-,VE-0858	1	SA
29	DB90-13094A	ASSY COVER CONTROL	AE080CXYBGK/EU,EHS R290	1	SNA
30	DB90-13093A	ASSY COVER CONTROL-MAIN	AE080CXYBGK/EU,EHS R290	1	SNA
31	DB90-13095A	ASSY CASE-WIRE	AE080CXYBGK/EU,EHS R290	1	SNA
31-1	DB61-08033A	CASE-WIRE	AE080CXYDGK/EU,ABS,T2.5,L105,NATURAL,-,VE-0858	1	SA
32	DB90-13116A	ASSY CASE-B	AE080CXYDGK/EU	1	SNA
33	DB98-39680A	ASSY PACKING CASE ACCESSORY	EHS LOW NOISE	1	SNA
33-1	DB67-00477A	DRAIN-PLUG OUT	UH140GZMC,PP,NATURAL,-,M1600	1	SA
33-2	DB73-20134A	RUBBER-LEG	V2-MD,NBR,T10,BLACK	4	SA

## Exploded Views and Parts List

### AE120CXYDEK/EU, AE160CXYDEK/EU ASSY PBA KIT-OUT MODULE

No.	Code No.	Description	Specification	QT'Y	SA/SNA
1	DB92-05550A	ASSY PBA KIT-OUT MODULE	OUTDOOR,EHS R290_general,PF5_UBS,Standard	1	SNA
1-1	DB37-00038A	TERMINAL BLOCK	TERMINAL BLOCK;DATA 60A-2P-M,MELAMINE,600V,60A,60x50x35mm,D5,NO,2P,SCREW-SCREW,L,N	1	SA
1-2	DB61-07999A	CASE PCB	UBS-S,ABS,-,L260,NATURAL,-,VE-0858	1	SNA
1-3	DB61-08001A	CASE PCB-UP	UBS-S,ABS,-,L270,NATURAL,-,VE-0858	1	SNA
1-4	DB61-08002A	CASE CONTROL	UBS-S,ABS,-,L346,NATURAL,-,VE-0858	1	SA
1-5	DB61-08043A	GUIDE-CASE	AE080CXYDGK/EU,ABS,T2.5,5VA,VE-0858,NATURAL,-	1	SA
1-6	DB62-13518A	HEAT SINK	EHS R290,Al,T10,W202,L204.5,Silver,H46.9,-,-,PF5	1	SNA
1-7	DB65-00274A	TERMINAL BLOCK	TERMINAL BLOCK,Polycarbonate, Phenol,AC300V,20A,22x36.4x24.2mm,0mm,D,-,-,2P,-,B_Type	1	SA
1-8	DB90-13058A	ASSY PLATE-CONTROL	UBS_S	1	SNA
1-9	DB90-13059A	ASSY PLATE	UBS_S	1	SNA
1-10	DB90-13096A	ASSY CASE CONTROL-WIRE	AE080CXYDEK/EU,EHS R290-NO PUMP	1	SA
1-11	DB90-13117A	ASSY COVER PLATE	UBS-S	1	SNA
1-12	DB92-05343D	ASSY PCB MAIN-OUT	MAIN,EHS R290,192X121,220~240V,5V/12V,-,MAIN,Y,SMPS,Standard	1	SA
1-12-1	DB93-12483B	ASSY PCB SUB	E2P PBA,UB-S,20*25,lock type,N,Standard	1	SA
1-13	DB92-05543B	ASSY PCB INVERTER	INVERTER,EHS R290,194X242,220~240V,3.3V/15V,-,PF5_23S,Y,SMPS,Standard	1	SA
1-14	DB93-04273C	ASSY CONNECTOR WIRE-COMM	EHS,COMM,AWG26	1	SNA
1-15	DB93-10809F	ASSY CONNECTOR WIRE-POWER	2,1015,18,BRN,YH396-03VR/WHT,YH396-03VR/WHT,-,200,PVC VW-1, 8phi, BLK,100,-,-,EMI-MAIN,-,EHS R290,UBS	1	SA
1-16	DB93-12121A	ASSY CONNECTOR WIRE-EARTH WIRE	1,1015,18,YEL/GRN,173724-1,ST710197-2,-,160,-,-,-,PBA-PLATE,MALDIVE-PJT,N,-,MALDIVE-PJT,SSEC	1	SA
1-17	DB93-13113A	ASSY CONNECTOR WIRE-COMM	2,1015,20,RED,YH396-02VR/RED,175020-1,-,120,-,-,-,UNKNOWN,MAN U,N,-,MAN U	1	SA
1-18	DB93-13593A	ASSY PCB SUB-EMI	SUB,CAC-07,230*90,-,-,-,CAC,EHS-EMI,1-PHASE,N,Standard	1	SA
1-19	DB93-17102A	ASSY CONNECTOR WIRE-EARTH	1,1015,12,YEL/GRN,ST710246-2,MG630591T/WHT,-,150,-,-,-,PBA-PLATE,-	1	SA
1-20	DB93-17643C	ASSY CONNECTOR WIRE-POWER	2,1015,12,BRN,DR3.5-5-2,L5.5-5,-,150,-,-,TR29-18-15,5,EMI-TB,-,EHS R290_general,UBS	1	SA
1-21	DB93-17877A	ASSY CONNECTOR WIRE-POWER	2,1015,12,BRN,L5.5-5,L5.5-5,-,600,PVC,100,TR31-20-15/G10A,6,EMI-INV,-,EHS R290_general,1phase	1	SA
1-22	DB94-09681A	ASSY DUCT	AE080CXYBGK/EU,EHS R290	1	SNA
1-23	DB61-00791F	HOLDER-CABLE	AE***CXYDEK/EU,AE***CXYDGK/	2	SNA

## Exploded Views and Parts List

### AE120CXYDEK/EU, AE160CXYDEK/EU ASSY PATH-MODULE

No.	Code No.	Description	Specification	QT'Y	SA/SNA
2	DB94-09676A	ASSY PATH-MODULE	AE160CXYDEK/EU	1	SNA
2-1	DB96-26553A	ASSY TUBE 4WAY	UBS NO PUMP	1	SA
2-1-1	DB33-00069A	VALVE SOLENOID	1.9,6,35	1	SA
2-1-2	DB62-12731B	VALVE 4WAY	BRASS,5HP, 4.6MPa,COMMON	1	SA
2-1-3	DB96-26573A	ASSY TUBE CONNECTOR- ACCUMULATOR	UBS R290,1800CC	1	SA
2-1-4	DB96-26578A	ASSY SENSOR PRESSURE-HIGH	R290 UBS	1	SA
2-1-5	DB96-26579A	ASSY SENSOR PRESSURE-LOW	R290 UBS	1	SA
2-1-6	DB96-26580A	ASSY SWITCH PRESSURE-HIGH	EHS R290	1	SA
2-1-7	DB96-26581A	ASSY VALVE-SOLENOID	EHS R290	1	SA
2-1-8	DB96-26582A	ASSY VALVE-SOLENOID	EHS R290	1	SA
2-2	DB96-26562A	ASSY TUBE SUBCOOLER	UBS,12/16KW	1	SA
2-2-1	DB32-00303D	SENSOR TEMP	L1600,10kohm,3%,25C,Molding,AC,UBS_R290_gen- eral	1	SA
2-2-2	DB60-30028A	NUT-FLANGE	HWH,M8,ZPC(WHT),SWRCH18A,P1.25/Washer Type(WP)	2	SA
2-2-3	DB65-00323A	BRACKET	RC090MHXEA,STS304,T0.8,W15,,-,-,-,-,	2	SA
2-2-4	DB81-00635A	SPRING ETC-SENSOR	DVM-SYSTEM,STS304,ID2.5,OD4.5,L44,T0.3,- ,W2,NONE,-,-,-,-	1	SA
2-2-5	DB90-13109A	ASSY BRACKET-BODY	EHS R290	1	SA
2-2-6	DB96-26538A	ASSY VALVE	Water,EHS R290,Gas separator,G 1-1/4'	1	SA
2-2-7	DB96-26584A	ASSY SENSOR PRESSURE	EHS R290,WATER PRESSURE SENSOR	1	SA
2-2-8	DB96-26636A	ASSY TUBE EEV	NO PUMP model,12/16KW	1	SA



## Exploded Views and Parts List

### AE120CXYDGK/EU, AE160CXYDGK/EU

No.	Code No.	Description	Specification	QT'Y	SA/SNA
1	DB92-05551A	ASSY PBA KIT-OUT MODULE	OUTDOOR,EHS R290_general,PF6_UBS,Standard	1	SNA
2	DB94-09676A	ASSY PATH-MODULE	AE160CXYDEK/EU	1	SNA
3	DB63-04402A	GUARD FAN	EHS LOW NOISE,PP+TD20%,T3,BLACK CAVIAR,-,MT72S	1	SA
4	DB90-10783A	ASSY HOLDER	AE090MXEDEH/SC	3	SA
5	DB90-12480A	ASSY BRACKET MOTOR	AE6000B,ASSY	1	SA
6	DB90-12482A	ASSY COVER PLATE-LOW	AE6000B,GI-SGCC T1.2 PAINT	2	SA
7	DB90-12488B	ASSY CABI SIDE-RH	R290_UBS	1	SA
7-1	DB64-02613D	HOLDER-UP	EHS LOW NOSIE,PP+TD20%,-,BLACK CAVIAR,-,-,MT72S	1	SA
7-2	DB90-13085A	ASSY CABI SIDE-RIGHT	R290_UBS	1	SA
8	DB90-12491A	ASSY CABI FRONT-LF	EHS LOW NOISE	1	SA
9	DB90-12493A	ASSY CABI BACK-LF	EHS LOW NOISE	1	SA
10	DB90-12496A	ASSY CABI TOP	AE6000B,EHS MONO LOW NOISE	1	SA
11	DB90-12500B	ASSY CABI BACK-RH	R290_UBS	1	SA
11-1	DB64-02613D	HOLDER-UP	EHS LOW NOSIE,PP+TD20%,-,BLACK CAVIAR,-,-,MT72S	1	SA
11-2	DB90-13086A	ASSY CABI BACK-RIGHT	R290_UBS	1	SA
11-3	DB64-03594A	CABINET BACK-LOW	UBS-S,GI-SGCC,T1,-,-,-	1	SNA
12	DB90-12501B	ASSY CABI FRONT-RH	R290_UBS	1	SA
12-1	DB61-07772A	CASE-SUB	EHS LOW NOISE,PP+TD20%,-,L387.9,BLACK CAVIAR,-,MT72S	1	SA
12-2	DB64-02613D	HOLDER-UP	EHS LOW NOSIE,PP+TD20%,-,BLACK CAVIAR,-,-,MT72S	1	SA
13	DB90-13048A	ASSY BASE OUT	R290_UBS	1	SA
13-1	6011-007032	BOLT-HEX	M6,L12,Zn-Ni(SIL),HWH,SWRCH18A,Coating HWH, Organic/Inorganic/Ceramic	8	SA
13-2	DB90-12495A	ASSY CABI BASE-SUPPORT	AE6000B,EHS MONO LOW NOISE	2	SA
13-3	DB90-13057A	ASSY CABI BASE	R290 UBS	1	SA
13-3-1	DB61-08027A	BASE-OUT	UBS,GI-SGCC,T1.6,-,-,-	1	SA
14	DB90-13108A	ASSY BRACKET	UBS	1	SA
15	DB94-09125B	ASSY PARTITION	R290_UBS	1	SA
15-1	DB67-01833A	PARTITION-SUB	UBS,GI-SGCC,T0.8,-,-,-	1	SNA
16	DB47-00100B	HEATER SHEATH-BASE	AC230V,150W,-,-,L2400,-,YH396-03VR(BLUE)-	1	SA
17	DB63-04401A	COVER FRONT	EHS LOW NOISE,PP+TD20%,T3,-,BLACK CAVIAR,-,MT72S	1	SA
18	DB60-00150A	SCREW-SPECIAL	HWH,M4,L26,ZPC(WHT),SWRCH18A	4	SA
19	DB60-00405A	FASTENER-WASHER	RC100ZHXEA,SWRCH10A,M8	1	SA
20	DB94-09292A	ASSY FAN OUT-MODULE	ASSY FAN PROPELLER DB94-08967A, MOTOR DB31-00643H	1	SNA
20-1	DB31-00643H	MOTOR BLDC FAN	SIC-88FWJ-F1122-1,610rpm,310V,0.39A,122W,10Po le,CW	1	SA
20-2	DB94-08967A	ASSY FAN PROPELLER	Fan Propeller,OD630	1	SA
21	DB60-30028A	NUT-FLANGE	HWH,M8,ZPC(WHT),SWRCH18A,P1.25/Washer Type(WP)	4	SA
22	DB92-04292A	ASSY DAMPER-GROMMET	AC036MXSCCC/AA	4	SA
23	DS4HC5066FNA	SCP,COMP,SCP,F,R290		1	-
24	DB94-09671A	ASSY FELT-MODULE	AE160CXYDEK/EU	1	SNA
24-1	DB63-04555A	FELT-COMP SIDE	EHS R290 PUMP 16KW,FELT,T10,-,HF-1,-,-	1	SNA
24-2	DB63-04556A	FELT-COMP OUT	EHS R290 NO PUMP 16KW,FELT/PVC,T17.5,-,HF-1,-,-	1	SNA
24-3	DB63-04558A	FELT-COMP TOP OUT	EHS R290 NO PUMP 16KW,FELT/PVC,T17.5,-,HF-1,-,-	1	SNA

## Exploded Views and Parts List

### AE120CXYDGK/EU, AE160CXYDGK/EU

No.	Code No.	Description	Specification	QT'Y	SA/SNA
25	DB93-17873A	ASSY CONNECTOR WIRE-COMP	3,3343,12,RED,HLH1005-03/BLK,HLT1005,1-1742539-3,1500,PVC,1350,-,-,INV PBA-COMP,PF5/6,EHS R290,scroll_UBS	1	SA
26	6021-002082	NUT-HEXAGON FLANGE	SWRCH10A,ZPC(WHT),M8	1	SNA
27	DB96-26522A	ASSY COND-MODULE	AE160CXYBEK/EU,3R46C	1	SA
27-1	DB96-26525A	ASSY COND	AE160CXYBEK/EU,3R46C	1	SA
28	DB61-08003A	CASE CONTROL-UP	UBS-S,ABS,-,L352,NATURAL,-,VE-0858	1	SA
29	DB90-13094A	ASSY COVER CONTROL	AE080CXYBGK/EU,EHS R290	1	SNA
30	DB90-13093A	ASSY COVER CONTROL-MAIN	AE080CXYBGK/EU,EHS R290	1	SNA
31	DB90-13095A	ASSY CASE-WIRE	AE080CXYBGK/EU,EHS R290	1	SNA
31-1	DB61-08033A	CASE-WIRE	AE080CXYDGK/EU,ABS,T2.5,L105,NATURAL,-,VE-0858	1	SA
32	DB90-13116A	ASSY CASE-B	AE080CXYDGK/EU	1	SNA
33	DB98-39680A	ASSY PACKING CASE ACCESSORY	EHS LOW NOISE	1	SNA
33-1	DB67-00477A	DRAIN-PLUG OUT	UH140GZMC,PP,NATURAL,-,M1600	1	SA
33-2	DB73-20134A	RUBBER-LEG	V2-MD,NBR,T10,BLACK	4	SA

## Exploded Views and Parts List

### AE120CXYDGK/EU, AE160CXYDGK/EU ASSY PBA KIT-OUT MODULE

No.	Code No.	Description	Specification	QTY	SA/SNA
1	DB92-05551A	ASSY PBA KIT-OUT MODULE	OUTDOOR,EHS R290_general,PF6_UBS,Standard	1	SNA
1-1	DB37-00034B	TERMINAL BLOCK	JXW-L,MELAMINE,600V,40A,85.8x45x28.5mm,D5,N O,4P,SCREW-SCREW,L1(R),L2(S),L3(T),L4(N),,	1	SA
1-2	DB61-07999A	CASE PCB	UBS-S,ABS,-,L260,NATURAL,-,VE-0858	1	SNA
1-3	DB61-08001A	CASE PCB-UP	UBS-S,ABS,-,L270,NATURAL,-,VE-0858	1	SNA
1-4	DB61-08002A	CASE CONTROL	UBS-S,ABS,-,L346,NATURAL,-,VE-0858	1	SA
1-5	DB61-08043A	GUIDE-CASE	AE080CXYDGK/EU,ABS,T2.5,5VA,VE-0858,NATURAL,-	1	SA
1-6	DB62-13519A	HEAT SINK	EHS R290,Al,T10,W202,L204.5,Silver,H46.9,-,-,PF6	1	SA
1-7	DB65-00274A	TERMINAL BLOCK	TERMINAL BLOCK,Polycarbonate, Phenol,AC300V,20 A,22x36.4x24.2mm,0mm,D,-,-,2P,-,B_Type	1	SA
1-8	DB90-13058A	ASSY PLATE-CONTROL	UBS_S	1	SNA
1-9	DB90-13059A	ASSY PLATE	UBS_S	1	SNA
1-10	DB90-13096A	ASSY CASE CONTROL-WIRE	AE080CXYDEK/EU,EHS R290-NO PUMP	1	SA
1-11	DB90-13117A	ASSY COVER PLATE	UBS-S	1	SNA
1-12	DB92-05343D	ASSY PCB MAIN-OUT	MAIN,EHS R290,192X121,220~240V,5V/12V,-,MAIN,Y,SMPS,Standard	1	SA
1-12-1	DB93-12483B	ASSY PCB SUB	E2P PBA,UB-S,20*25,lock type,N,Standard	1	SA
1-13	DB92-05497B	ASSY PCB INVERTER	INVERTER,SYSTEM,242*194,380V,15V,12V,5V,9W, PF#6_CRL_IGBT_35A,Y,SMPS,Standard	1	SA
1-14	DB93-04273C	ASSY CONNECTOR WIRE-COMM	EHS,COMM,AWG26	1	SNA
1-15	DB93-10809F	ASSY CONNECTOR WIRE-POWER	2,1015,18,BRN,YH396-03VR/WHT,YH396-03VR/WHT,-,200,PVC VW-1, 8phi, BLK,100,-,-,EMI-MAIN,-,EHS R290,UBS	1	SA
1-16	DB93-12121A	ASSY CONNECTOR WIRE-EARTH WIRE	1,1015,18,YEL/GRN,173724-1,ST710197-2,-,160,-,-,-,-,PBA-PLATE,MALDIVE-PJT,N,-,MALDIVE-PJT,SSEC	1	SA
1-17	DB93-13113A	ASSY CONNECTOR WIRE-COMM	2,1015,20,RED,YH396-02VR/RED,175020-1,-,120,-,-,-,-,UNKNOWN,MAN U,N,-,MAN U	1	SA
1-18	DB92-03542D	ASSY PCB SUB	EHS R290_general,230X130mm,380V,-,-,3PHASE EMI,N,Standard	1	SA
1-22	DB94-09681A	ASSY DUCT	AE080CXYBGK/EU,EHS R290	1	SNA
1-23	DB61-00791F	HOLDER-CABLE	AE***CXYDEK/EU,AE***CXYDGK/	2	SNA

## Exploded Views and Parts List

### AE120CXYDGK/EU, AE160CXYDGK/EU ASSY PATH-MODULE

No.	Code No.	Description	Specification	QT'Y	SA/SNA
2	DB94-09676A	ASSY PATH-MODULE	AE160CXYDEK/EU	1	SNA
2-1	DB96-26553A	ASSY TUBE 4WAY	UBS NO PUMP	1	SA
2-1-1	DB33-00069A	VALVE SOLENOID	1.9,6,35	1	SA
2-1-2	DB62-12731B	VALVE 4WAY	BRASS,5HP, 4.6MPa,COMMON	1	SA
2-1-3	DB96-26573A	ASSY TUBE CONNECTOR- ACCUMULATOR	UBS R290,1800CC	1	SA
2-1-4	DB96-26578A	ASSY SENSOR PRESSURE-HIGH	R290 UBS	1	SA
2-1-5	DB96-26579A	ASSY SENSOR PRESSURE-LOW	R290 UBS	1	SA
2-1-6	DB96-26580A	ASSY SWITCH PRESSURE-HIGH	EHS R290	1	SA
2-1-7	DB96-26581A	ASSY VALVE-SOLENOID	EHS R290	1	SA
2-1-8	DB96-26582A	ASSY VALVE-SOLENOID	EHS R290	1	SA
2-2	DB96-26562A	ASSY TUBE SUBCOOLER	UBS,12/16KW	1	SA
2-2-1	DB32-00303D	SENSOR TEMP	L1600,10kohm,3%,25C,Molding,AC,UBS_R290_gen- eral	1	SA
2-2-2	DB60-30028A	NUT-FLANGE	HWH,M8,ZPC(WHT),SWRCH18A,P1.25/Washer Type(WP)	2	SA
2-2-3	DB65-00323A	BRACKET	RC090MHXEA,STS304,T0.8,W15,,-,-,-,-,	2	SA
2-2-4	DB81-00635A	SPRING ETC-SENSOR	DVM-SYSTEM,STS304,ID2.5,OD4.5,L44,T0.3,- ,W2,NONE,-,-,-,-	1	SA
2-2-5	DB90-13109A	ASSY BRACKET-BODY	EHS R290	1	SA
2-2-6	DB96-26538A	ASSY VALVE	Water,EHS R290,Gas separator,G 1-1/4'	1	SA
2-2-7	DB96-26584A	ASSY SENSOR PRESSURE	EHS R290,WATER PRESSURE SENSOR	1	SA
2-2-8	DB96-26636A	ASSY TUBE EEV	NO PUMP model,12/16KW	1	SA