



ONE PIECE 6/7/9 LITRE CONVERTIBLE SIPHON RANGE

SIPHON CODES

DSY0125	-	7.5" x 2.25"	C-LINK	
DSY0225	-	8" x 2.25"	C-LINK	
DSY0275	-	8.5" x 2.25"	C-LINK	
DSY0325	-	9" x 2.25"	C-LINK	
DSY0425	-	9.5" x 2.25"	C-LINK	
DSY0538	-	10" x 4.3/8"	C-LINK	
10717626	-	7.5" x 3"	C-LINK	SINGLE FLUSH
10717435	-	8.5" x 3"	C-LINK	SINGLE FLUSH
10717905	-	7.5" x 3"	C-LINK	DUAL FLUSH
10717906	-	8.5" x 3"	C-LINK	DUAL FLUSH

SIPHON SPARES CODES

DSY1300	OBLONG DIAPHRAGM WASHER
DSY1400	SIPHON SPRING
DSY1600	SIPHON WASHER
DSY1700	SIPHON COUPLING NUT
DSA5900	FLUSH VOLUME SELECTOR
DFP1400	FLUSHPIPE SEALING WASHER
DSY1900	2.25" C-LINK
DSY2100	4.3/8" C-LINK
DFP1800	HIGH LEVEL SEALING WASHER

NEW INSTALLATION CISTERN AND WC PAN

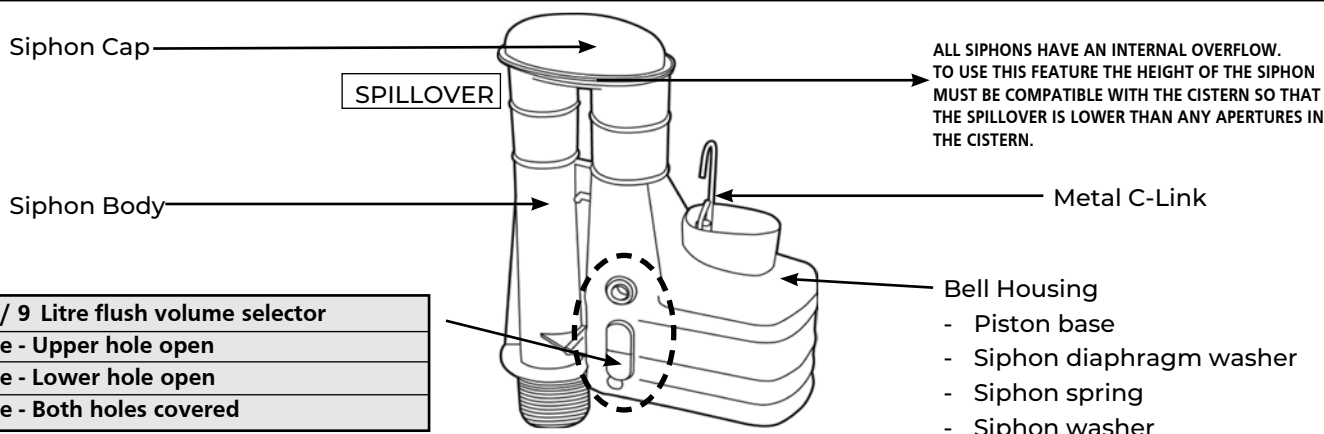
The cistern is set to flush 6 litres (nominal) to meet the water regulations for the new WC 6 litres maximum flushing. (For 6 litre flush, the flush volume selector covers the two lower positions.)

REPLACEMENT CISTERN CONNECTED TO WC PAN INSTALLED AFTER 1993 AND BEFORE 2000

Should a 7 litre flush be required, snap the flush volume selector into two pieces. Close the upper hole using one piece.

REPLACEMENT CISTERN CONNECTED TO WC PAN INSTALLED BEFORE 1993

Should a 9 litre flush be required, the two upper positions in the siphon chamber should be closed by pressing the flush volume selector into position.



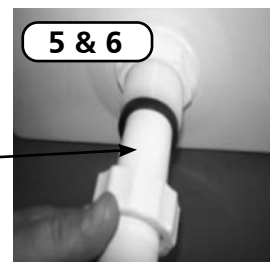
LOW AND HIGH LEVEL CISTERNS

ASSEMBLING SIPHON

1. Push the siphon washer over the threaded tail of the siphon.
2. Push the threaded tail down through the outlet hole in the base of the cistern (making sure that the siphon washer is on the inside of the cistern).
3. Put the back-nut over the protruding threaded tail and hand-tighten the back-nut.
4. Finally tighten a further 1/2 turn using a spanner.

ATTACHING THE FLUSHPIPE

5. Place the coupling nut, followed by the sealing washer onto the flushpipe.
6. Insert the flushpipe into the tail of the siphon (35mm maximum) and hand-tighten the coupling nut.

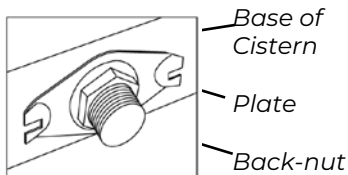


FOR HIGH LEVEL APPLICATIONS USE THE HIGH LEVEL SEALING WASHER ONLY (DFP1800)

CLOSE COUPLED CISTERN

After completing stage 1, (as for low level cisterns), place the close coupling plate over the threaded tail of the siphon, before completing stages 3 and 4.

Place the plate over the threaded tail of the siphon, secure hand-tight using the back-nut provided as shown in picture 'E' and tighten a further half turn using a suitable spanner.



METRO SIPHON TROUBLE-SHOOTING

- Q. - WHY WON'T THE SIPHON FLUSH OR ONLY FLUSH WHEN I PUMP THE HANDLE?
- A. - CHECK THE SIPHON DIAPHRAGM WASHER IS FLAT TO THE PISTON BASE AND IS NOT TORN OR DAMAGED.
- A. - CHECK THE WATER IS SET TO THE WATERLINE IN THE CISTERN.





SINGLE/DUAL FLUSH SIPHONS

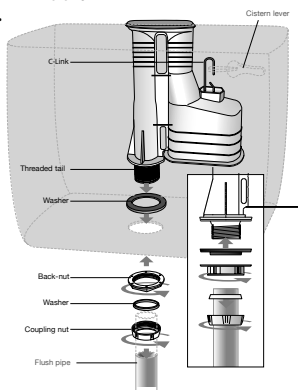


PRE-INSTALLATION

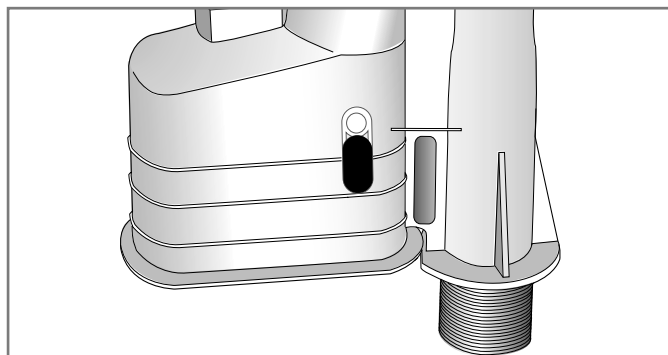
- 1 Turn off the water supply to the cistern and remove the cistern lid.
- 2 Disconnect the old mechanism and remove any loose dirt from inside the tank.

INSTALLATION FOR HIGH OR LOW LEVEL CISTERNS

- 1 Unscrew the back-nut. Fit the new siphon and ensure that the washer is on the threaded tail and inside the cistern.
- 2 Screw the back-nut (hand-tighten) and add 1/4 turn using a spanner or grips to ensure a watertight seal.
- 3 Insert the flush pipe to the siphon thread. Ensure that the rubber washer is on. Screw the coupling on.
- 4 Fit the cistern lever with the C-Link and connect the lever.
- 5 Turn on the water supply. Check the installation is functional and watertight.



Adjustable flush volumes = 3 positions

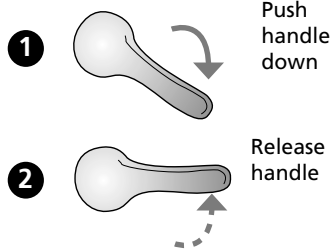


3 different flush volumes = 9/7/6L*
(*Exact volume depends on the configuration of the cistern.)

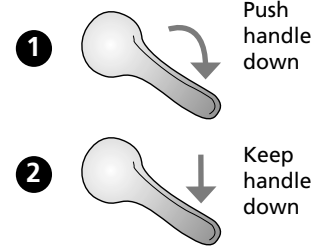
1	2	3
Flush volume 9L	Flush volume 7L	Flush volume 6L

DUAL FLUSH VERSION

For full flush:

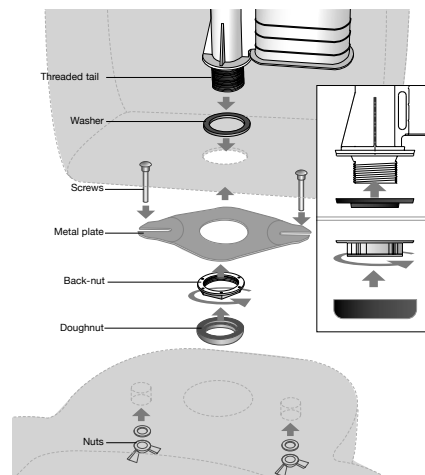


For reduced flush:



INSTALLATION FOR CLOSE COUPLED CISTERNS

- 1 To dismantle the cistern, turn off the water supply and disconnect from the tailpipe of the filling valve.
- 2 Unscrew the coupling bolts and lift the cistern off the pan.
- 3 Remove the old siphon.
- 4 Fit the new siphon and ensure that the washer is on the threaded tail inside the cistern.
- 5 Screw the back-nut (hand-tighten) and add a 1/4 turn using a spanner or grips to ensure a watertight seal.
- 6 Refit the doughnut shaped washer on the siphon threaded tail.
- 7 Connect the cistern carefully onto the WC pan.
- 8 Refit the coupling bolts.
- 9 Fit the cistern lever with the C-Link and connect the lever.
- 10 Turn on the water supply. Check the installation is functional and watertight.



N.B. Metal plate, doughnut, nuts and screws not supplied, but can be ordered separately.

