

JOLLYFILL AIR

INLET VALVES JOLLYFILL AIR

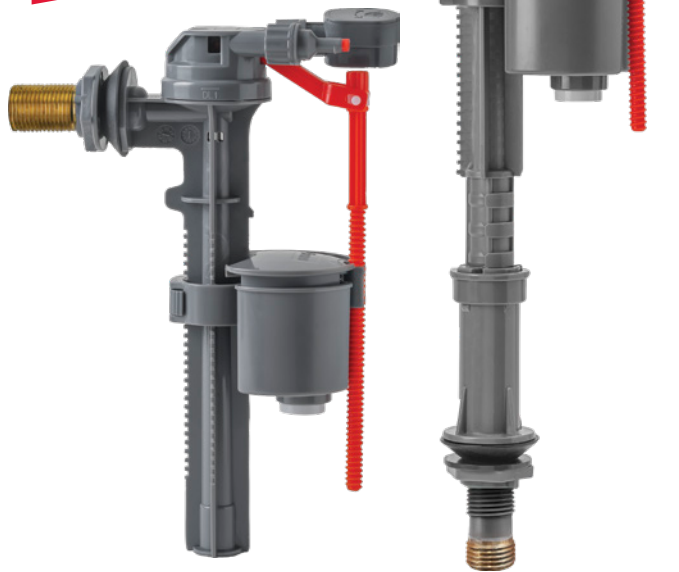
BS 1212-4
COMPLIANT

WRAS
APPROVED PRODUCT

kiwa
approved
KUKreg4

YEARS
GUARANTEE
10

**Eliminate
the risk of
backflow!**
A new
generation of
inlet valves



AUK1

AIR GAP COMPLIANT
WRAS / KIWA Reg4 approved to BS1212-4
Suitable with requirements of AUK1
Meets all AG Air Gap requirements
Eliminates back-siphoning



REVERSIBLE WATER DISCHARGE
Position of water discharge can be
changed to suit the most compact of
installations



ANTI-FOULING FLOAT
Float housing prevents float from fouling
on cistern or outlet valve

200 000
CYCLES

PROVEN PERFORMANCE
Endurance tested to 200,000 fill cycles



WIDE PRESSURE RANGE
Suitable for both low and high operating
pressures (0.1 - 20 bar)



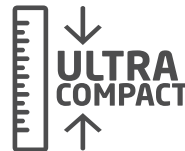
WATER SAVING
DELAYED ACTION



QUICK INSTALL



QUIET FILL



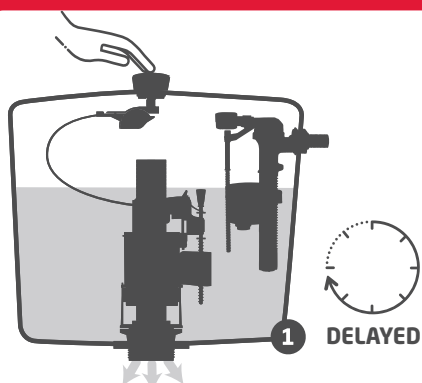
ULTRA
COMPACT

wirquin
Innovation

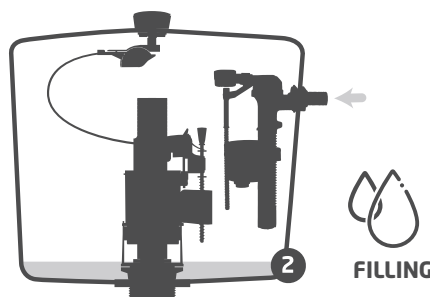


DELAYED ACTION FILLING

> The intelligent float makes it possible to fill the tank in an optimum way. Thanks to its delayed action technology, it only releases water into the cistern when the flush cycle is complete.



1 DELAYED

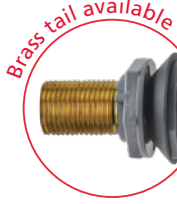


2 FILLING

SAVE WATER 6L

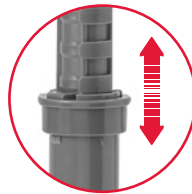
* 6L of water saved per day on average for a family of 4 when replacing an old inlet without a delayed action float.

Side Entry



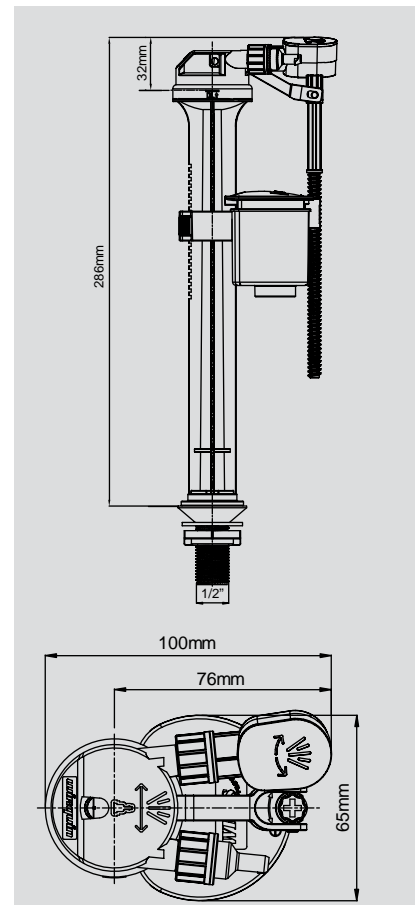
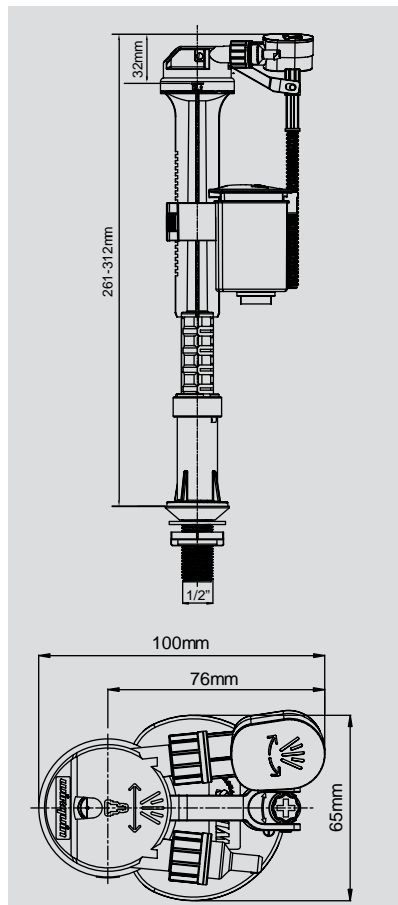
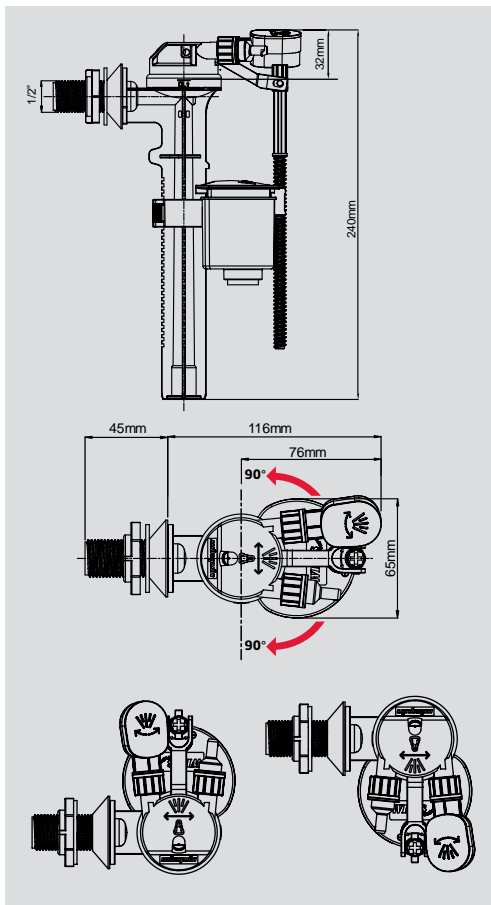
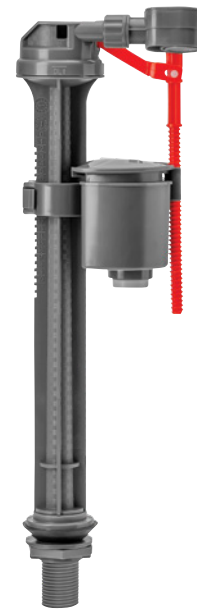
ROTATING HEAD
180° Head rotation
Ideal for compact
cisterns

Telescopic



HEIGHT ADJUSTABLE
From 229 -
280mm/9 - 11"

Bottom Entry



Description	JOLLYFILL AIR SIDE ENTRY BRASS	JOLLYFILL AIR SIDE ENTRY PLASTIC	JOLLYFILL AIR TELESCOPIC BRASS	JOLLYFILL AIR TELESCOPIC PLASTIC	JOLLYFILL AIR BOTTOM ENTRY PLASTIC
Reference	10120694	10120701	10120687	10120700	10120693
EAN code	5017134148886	5017134148954	5017134148817	5017134148947	5017134148879
Packaging	Box	Box	Box	Box	Box
Multiples / Pack	01/16	01/16	01/16	01/16	01/16