

STREAMLINE TAPSETS 1000/2000/2000+ELBOW

Fitting Instructions and User Guide

Please read and understand these instructions prior to installing your Streamline Tapsets. Particular attention should be paid to the section headed **IMPORTANT**.

Following installation, the operation of the tapset should be explained to the customer and these instructions left with them for future reference.

IMPORTANT

These instructions detail how to install and connect the Streamline tapset (see Figure 1) to the Heatrae Sadia Streamline range of open outlet water heaters. They may be suitable for other OPEN OUTLET type water heaters, please consult the heater manufacture for further advice.

As the tapset acts as an open vent to the water heater it is normal for it to drip during the heating cycle of the heater due to water expansion. This is NOT a fault with the tapset and the user should be made aware of this fact.

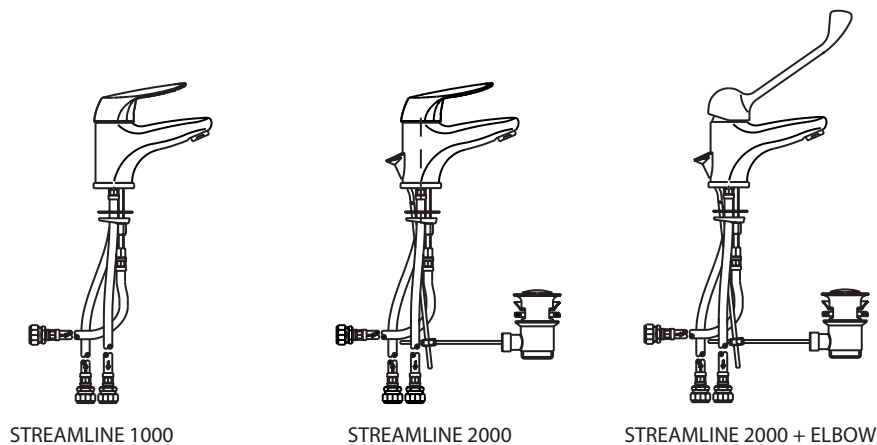


Figure 1: Streamline Tapset Range

If using the tapset in conjunction with an open outlet heater mounted oversink a check (non-return) valve must be installed in the pipework from the tapset to the heater INLET. Failure to do this can result in partial drain down of the heater and eventual operation of the thermal cut-out.

INSTALLATION:

1. Prepare the mounting surface and ensure the hole is the correct size (diameter 36mm).
2. Connect the RED Hose (7) to hole (C).
3. Connect the BLUE Hose (5) to hole (A).
4. Position O ring (9) and mounting ring (2) over mounting surface.
5. Thread hoses through hole in mounting surface.
6. Fit rubber seal (3) and clamping plate (4) over threaded stem and fix in position with nut (10).
7. Connect PLAIN Hose (6) to the threaded stem (B). NOTE: A washer for the plain hose adaptor is located in bag containing the clamping plate parts
8. Connect PLAIN Hose (5) to incoming cold water supply.
9. Connect RED Hose (7) to water heater hot outlet.
10. Connect BLUE Hose (6) to water heater cold inlet.

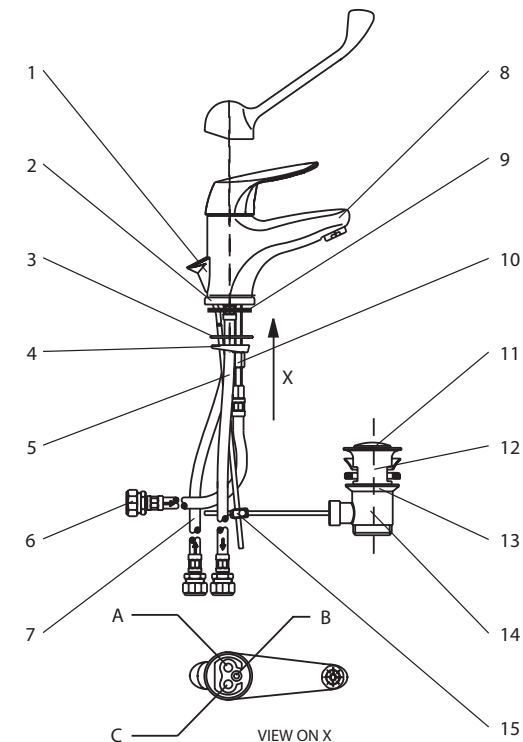


Figure 2: Dimensions and Parts

CONNECTION OF “POP-UP” WASTE ASSEMBLIES

The Streamline 2000 and 2000 ELBOW tapsets are supplied with a “pop-up” waste assembly suitable for use with ceramic sinks with integral overflow.

1. Fit sealing washer (13) to base assembly (14).
2. Fit sealing gasket (12) to sink.
3. Whilst holding base assembly in place screw in main body (11).
4. Thread operating rod (2) through back of tap body (8).
5. Connect operating rod (2) to rod of base assembly (14) with connector block (15).

INSTRUCTIONS FOR CONNECTION HOSES

1. Do not bend hoses directly behind the connection point. Leave at least 15mm straight.
2. Do not kink hoses. Minimum radius of curvature must be 20mm.
3. Avoid twisting during installation.
4. Avoid fitting the hose under tension.
5. Hoses must not be curled.

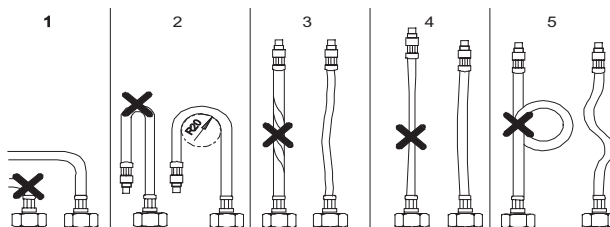


Figure 3. Hose Connections.

INSTALLING SPLASH-SHIELD (Streamline water heaters only!)

1. Unroll splash-shield.
2. Pass electrical supply cable through moulded gland in splash-shield.
3. Remove smaller front cover.
4. Pop splash-shield to “inside-out” position, this enables the plastic nuts to be tightened to the inner container. **DO NOT OVER TIGHTEN.**
5. Refit smaller front cover and secure with screw.
6. Return splash shield to fully seal top of water heater.

OPERATION

1. Turn on the water supply at the service/isolating valve.
2. Raise tap lever fully. The water heater should now fill with water.
IMPORTANT: DO NOT SWITCH ON THE ELECTRICAL SUPPLY TO WATER HEATER UNTIL WATER FLOWS FREELY FROM THE TAP.
3. When water flows freely from the tap outlet lower the lever to shut off the flow. Switch on the electrical supply to the water heater and allow to heat. Your attention is drawn to the IMPORTANT notes at the start of these instructions with respect to dripping from the tap outlet.
4. The outlet flow rate is controlled by the amount the lever is raised. Outlet temperature is controlled by moving the lever from left to right. Fully to the left gives unmixed hot water. Fully to the right gives unmixed cold water. Positions between give mixed hot and cold water.

MAINTENANCE

These tapsets incorporate ceramic disc operating mechanisms and should under normal conditions, require no internal maintenance. The self cleaning sealing faces of the ceramic disks are resistant to abrasion by water born deposits and permit excellent flow and temperature control.

External surfaces should be cleaned with soap-based detergents. Abrasive, alcohol-based, caustic or other strong detergent cleaners should not be used.

If lime scale builds up on the outlet flow straightener this can be removed for cleaning. The plastic insert should be removed and the limescale removed by a propriety descaling solution suitable for plastics.

In the unlikely event that your tapset should develop a fault please contact Heatrae Sadia Service department.

SPARE STOCKISTS

For the fast and efficient supply of spares please contact the stockists listed below.

Electric Water Heating Co.
2 Horsecroft Place, Pinnacles, Harlow, CM19 5BT
Tel: 0845 0553811
E-mail: sales@ewh.co.uk

Eyre & Elliston
Unit 12, Spitfire Way, Airlinks Industrial Estate, Heston, Middlesex, TW5 9NR.
Tel: 020 8573 0574

Parts Centre
Network 65 Business Park, Bently Wood Way, Burnley, Lancashire, BB11 5ST.
Tel: 01282 834403
www.partscenter.co.uk

Newey & Eyre Specialists Products Division
Please contact your local branch

UK Spares Ltd.
Tower Lane, Warmley, Bristol, BS30 8XT.
Tel: 0117 961 6670

William Wilson Ltd.
94 Kinning Street, Glasgow, G5 8LW.
Tel: 0141 4201661

HEATRAE SADIA

The quality name in water heating

Heatrae Sadia Heating
Hurricane Way Norwich NR6 6EA
www.heatraesadia.com

A division of BAXI GR ● UP

Main No:	01603 420100
Main Fax:	01603 420218
Sales:	01603 420110
Sales Fax:	01603 420149
Service:	01603 420330
Service Fax:	01603 420349