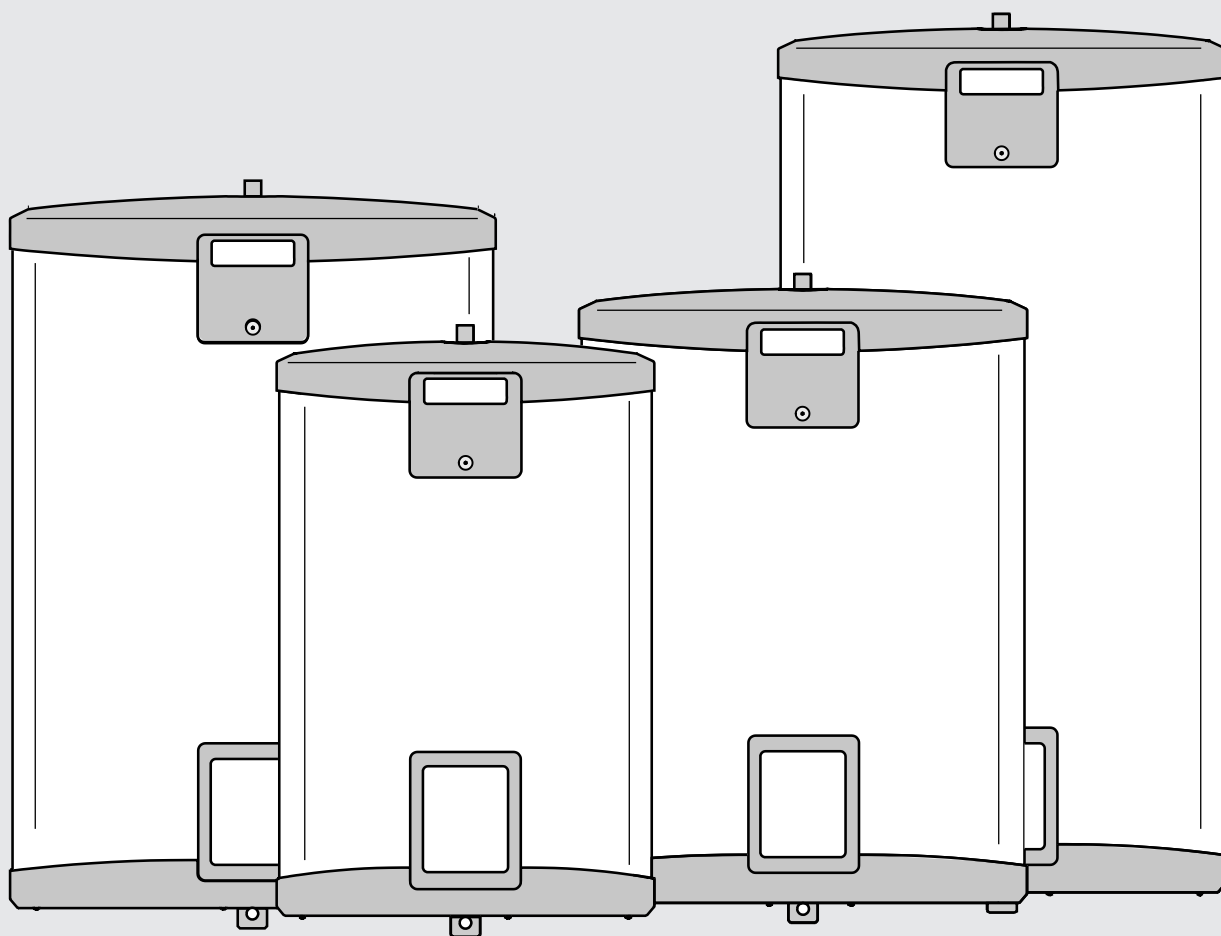


# HEATRAESADIA

SMARTER | CLEANER | WARMER

## FBM ECO

### Installation, operation and maintenance manual



## WARNING

This water heater must only be installed by qualified persons.

Please read and understand these instructions before starting work.

Please leave this leaflet with the user following installation.

# Contents

<b>1. Introduction</b>	<b>3</b>
1.1 General	3
1.2 Symbols used	3
1.3 Abbreviations	3
1.4 HWA Charter	3
1.5 Tools required	3
1.6 Liabilities	4
1.7 Benchmark	4
<b>2. Safety</b>	<b>5</b>
2.1 General safety warnings	5
2.2 Recommendations	5
2.3 Specific safety instructions	5
<b>3. Technical specifications</b>	<b>6</b>
3.1 Technical data	6
3.2 Overall Dimensions	7
3.3 Circuit Diagrams	8
<b>4. Description of the product</b>	<b>9</b>
4.1 General description	9
4.2 Operation principle	9
4.3 Standard delivery	10
<b>5. Before installation</b>	<b>11</b>
5.1 Installation regulations	11
5.2 Installation requirements	11
5.4 Choice of location	11
5.5 Positioning and access	11
<b>6. Installation</b>	<b>13</b>
6.1 General	13
6.2 Wall fixing	14
6.3 Water connections	16
<b>7. Commissioning</b>	<b>18</b>
7.1 General	18
7.2 Checklist before commissioning	18
7.3 Commissioning procedure	18
<b>8. Operation</b>	<b>19</b>
8.1 General	19
8.2 Benchmark	19
8.3 Overview	19
8.4 Displays and Function	19
8.5 Temperature adjustment	20
<b>9. Maintenance</b>	<b>21</b>
9.1 General	21
9.2 Routine inspection & maintenance operations – Water Heater Draining	21
9.3 Routine inspection & maintenance operations – Filter Inspection	21
9.4 Routine inspection & maintenance operations – Water Sensor Inspection	22
9.5 Routine inspection & maintenance operations – Immersion Heater Inspection	23
9.6 Routine inspection & maintenance operations - System Overview	25
9.7 LCD cover removal	25
<b>10. Troubleshooting</b>	<b>26</b>
10.1 Fault Finding	26
10.2 Fault codes	27
<b>11. Decommissioning</b>	<b>29</b>
11.1 Decommissioning procedure	29
11.2 Environmental Information	29
<b>12. Spares</b>	<b>30</b>
12.2 Accessories	31
<b>13. Warranty</b>	<b>37</b>

# 1. Introduction

## 1.1 General

The following instructions are offered as a guide to the user and installer.

The installation must be carried out by a competent plumbing and electrical installer in accordance with Building Regulations, The Building Standards (Scotland) Regulations 1990, The Building Regulations (Northern Ireland), UK Water Regulations and IEE Electrical Regulations.

## 1.2 Symbols used

In these instructions, various risk levels are employed to draw the user's attention to particular information. In doing so we wish to safeguard the user, avoid hazards and guarantee the correct operation of the appliance.



### DANGER

Risk of a dangerous situation causing serious physical injury.



### WARNING

Risk of a dangerous situation causing slight physical injury.



### CAUTION

Risk of material damage.



Signals important information.

## 1.3 Abbreviations

DHW - Domestic Hot Water  
LCD - Liquid Crystal Display  
BMS - Building Management System  
PCB - Printed Circuit Board

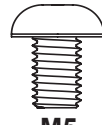
## 1.4 HWA Charter



The HWA Charter Code of Practice requires that, all members adhere to the following:

- ▶ To supply fit for purpose products clearly and honestly described
- ▶ To supply products that meet, or exceed appropriate standards and building and water regulations
- ▶ To provide pre and post sales technical support
- ▶ To provide clear and concise warranty details to customers

## 1.5 Tools required

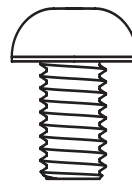


**M5**

(Security)

M5 security screw:  
Torx Tamper Proof T25 bit

Used on base and sensor covers



**M8**

(Security)

M8 security screw:  
Torx Tamper Proof T40 bit

Used on external brackets

## 1.6 Liabilities

### Manufacturers liability

Our products are manufactured in compliance with the requirements of the various applicable European Directives.

This appliance complies with the requirements of the CE marking directive and is Kiwa approved to show compliance with Water and Building Regulations and Nemko approved for electrical safety. In the interest of customers, we try continually to improved product quality.

All the specifications stated in this document are therefore subject to change without notice. Our liability as the manufacturer may not be invoked in the following cases:

- ▶ Failure to abide by the instructions when using the appliance.
- ▶ Faulty or insufficient maintenance of the appliance.
- ▶ Failure to abide by the instructions when installing the product.

### Installer's liability


The installer is responsible for the installation and the commissioning of the appliance. The installer must adhere to the following instructions:

- ▶ Read and follow the instructions given in the manuals provided with the appliance.
- ▶ Carry out installation in compliance with the prevailing legislation and standards.
- ▶ Perform the initial start up and carry out any necessary checks.
- ▶ Complete the commissioning checklist.
- ▶ Explain the installation to the user.
- ▶ If maintenance is necessary, warn the user of the obligation to check the appliance and maintain it in good working order.
- ▶ Give all the instruction manuals to the user.

### Users liability

To guarantee optimum operation of the appliance, the user must adhere to the following instructions:

- ▶ Read and follow the instructions given in the manuals provided with the appliance.
- ▶ Call on qualified professionals to carry out installation and initial start up.
- ▶ Ask the installer to explain your installation to you.
- ▶ Have the required checks and services done.
- ▶ Keep the instruction manuals in good condition and close to the appliance.

 This appliance can be used by children aged from 8 years and above and persons with reduced physical sensory or mental capabilities or lack of experience and knowledge if they have been given supervision or instruction concerning use of the appliance in a safe way and understand the hazards involved. Children shall not play with the appliance. Cleaning and user maintenance shall not be made by children without supervision.

Children must be supervised to ensure they do not play with the appliance.

## 1.7 Benchmark

It is a requirement that the water heater is installed and commissioned to the manufacturers instructions and the data fields on the commissioning checklist completed in full.

To instigate the warranty the vented water heater needs to be registered with the manufacturer within one month of the installation.

To maintain the warranty it is essential that the vented water heater is serviced annually by a registered engineer. The service details should be recorded on the Benchmark Service Interval Record and left with the owner/tenant of the property/building.

Visit: [www.centralheating.co.uk](http://www.centralheating.co.uk) for more information.

Heating and Hot Water Industry Council (HHIC)



## 2. Safety

### 2.1 General safety warnings



#### DANGER

The hot water contained could lead to serious physical injury if the safety instructions in this manual are not adhered to.



#### WARNING

- ▶ Only competent persons having received the appropriate training are permitted to work on the appliance and the installation
- ▶ Do not tamper with any of the controls supplied with the unit.
- ▶ Before any work, isolate the mains electrical and water supplies to the appliance.

### 2.2 Recommendations

- ▶ Regularly check the water pressure in the installation (minimum dynamic pressure 0.5 bar, recommended pressure between 1 and 2 bar).
- ▶ Keep the product accessible at all times
- ▶ Never remove cover labels and rating plates affixed to the appliance.

A means for disconnecting the power supply must be incorporated in the fixed wiring in accordance with the latest version of BS 7671



#### WARNING

When handling the unit, take appropriate precautions for the weight of the unit. Weights can be found in section 3, table 1 page 6.



#### CAUTION

Annual maintenance is recommended by a competent person.

### 2.3 Specific safety instructions



#### CAUTION

- ▶ Ensure the drain valve is covered securely with the supplied cap to ensure accidental use does not occur.

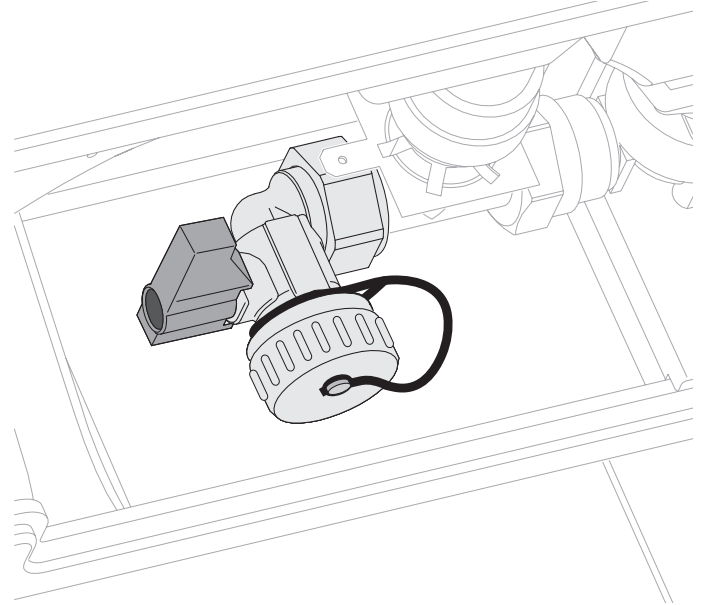


Figure 1: Drain valve found in base of unit

### 3. Technical specifications

#### 3.1 Technical data

Product Name	FBM 25 ECO 3KW	FBM 45 ECO 3KW	FBM 70 ECO 3KW	FBM 120 ECO 3KW
Product Code	95040300	95040301	95040302	95040303
Electrical Rating	2.8kW at 230V 3.0kW at 240V	2.8kW at 230V 3.0kW at 240V	2.8kW at 230V 3.0kW at 240V	2.8kW at 230V 3.0kW at 240V
Maximum inlet pressure	1MPa (10bar) (145psi)	1MPa (10bar) (145psi)	1MPa (10bar) (145psi)	1MPa (10bar) (145psi)
Weight Empty kg	15	20	35	40
Weight Full kg	40	65	105	160
Capacity (Litres)	25	45	70	120
Heat up time (minutes)	30	50	80	135
Fill time (minutes)	3.5 at 7L/min	4 at 7L/min	6 at 12L/min	10 at 12L/min

Table 1: Technical data

Direct	FBM ECO			
Suppliers name or trade mark				
Supplier's model identifier	25L (3kW)	45L (3kW)	70L (3kW)	120L (3kW)
Storage volume V in litres	25.0	45.0	70.0	120.0
Mixed water at 40 °C V40 in litres	35	60	95.7	165.6
The declared load profile	S	M	M	M
The water heating energy efficiency class of the model	B	C	C	C
The water heating energy efficiency in %	35.1	37.7	36.1	36.6
The annual electricity consumption in kWh	526	1362	1423	1403
Daily fuel consumption Q <sub>lec</sub> in kWh	2.48	6.31	6.67	6.55
Heat Loss	0.56	0.84	1.12	1.27
The thermostat temperature settings of the water heater, as placed on the market by the supplier	60°C			
Specific precautions that shall be taken when the water heater is assembled, installed or maintained	See pages 7 to 29			

Table 2: Technical fiche

Technical parameters in accordance with European Commission regulations 814/2013 and 812/2013

### 3.2 Overall Dimensions

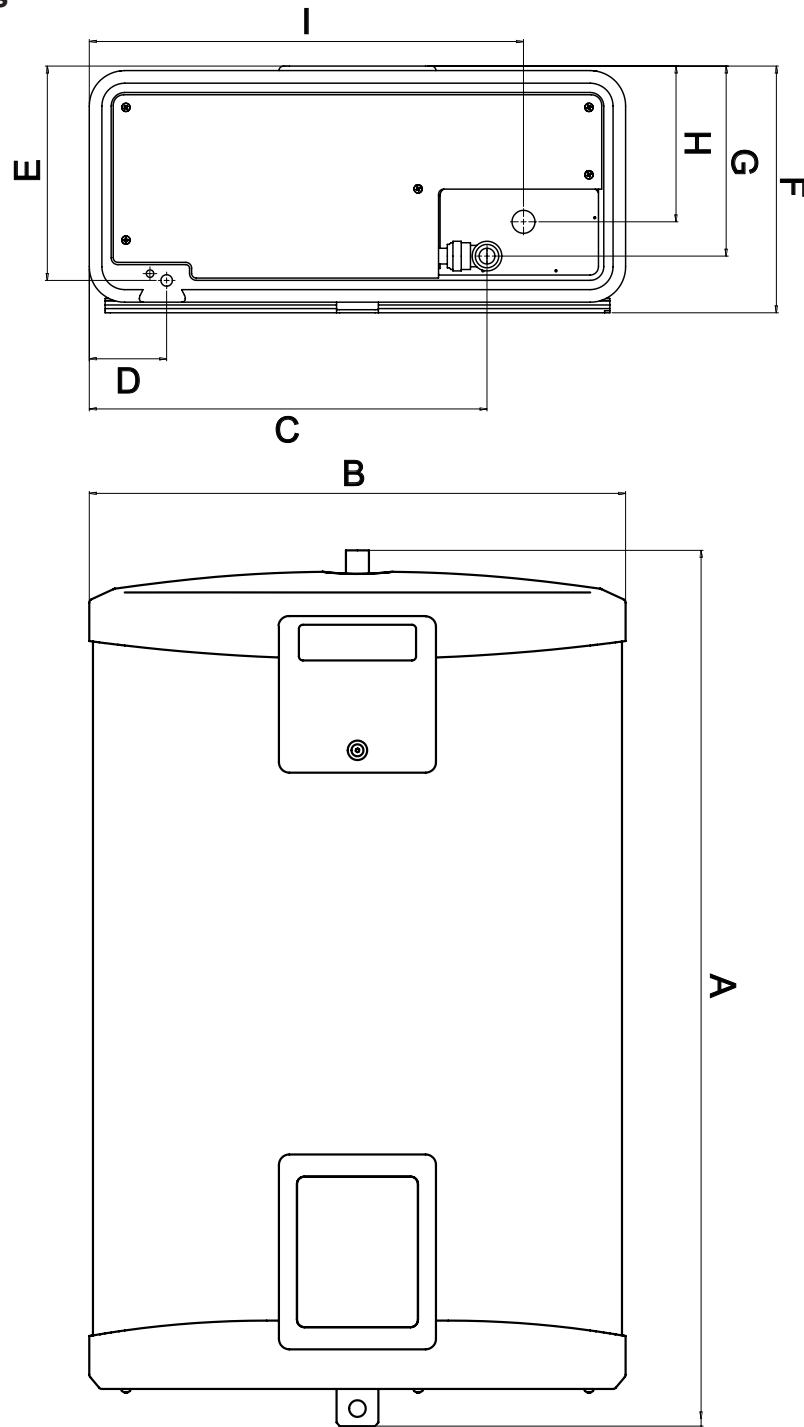


Figure 2: General dimensions

Item	25L	45L	70L	120L
A	830	882	1221	1021
B	510	609	609	660
C	380	425	425	457
D	74	76	76	76
E	204	245	245	396
F	235	276	276	429
G	180	220	220	362
H	148	188	188	325
I	415	463	463	562

Table 3: General dimensions

### 3.3 Circuit Diagrams

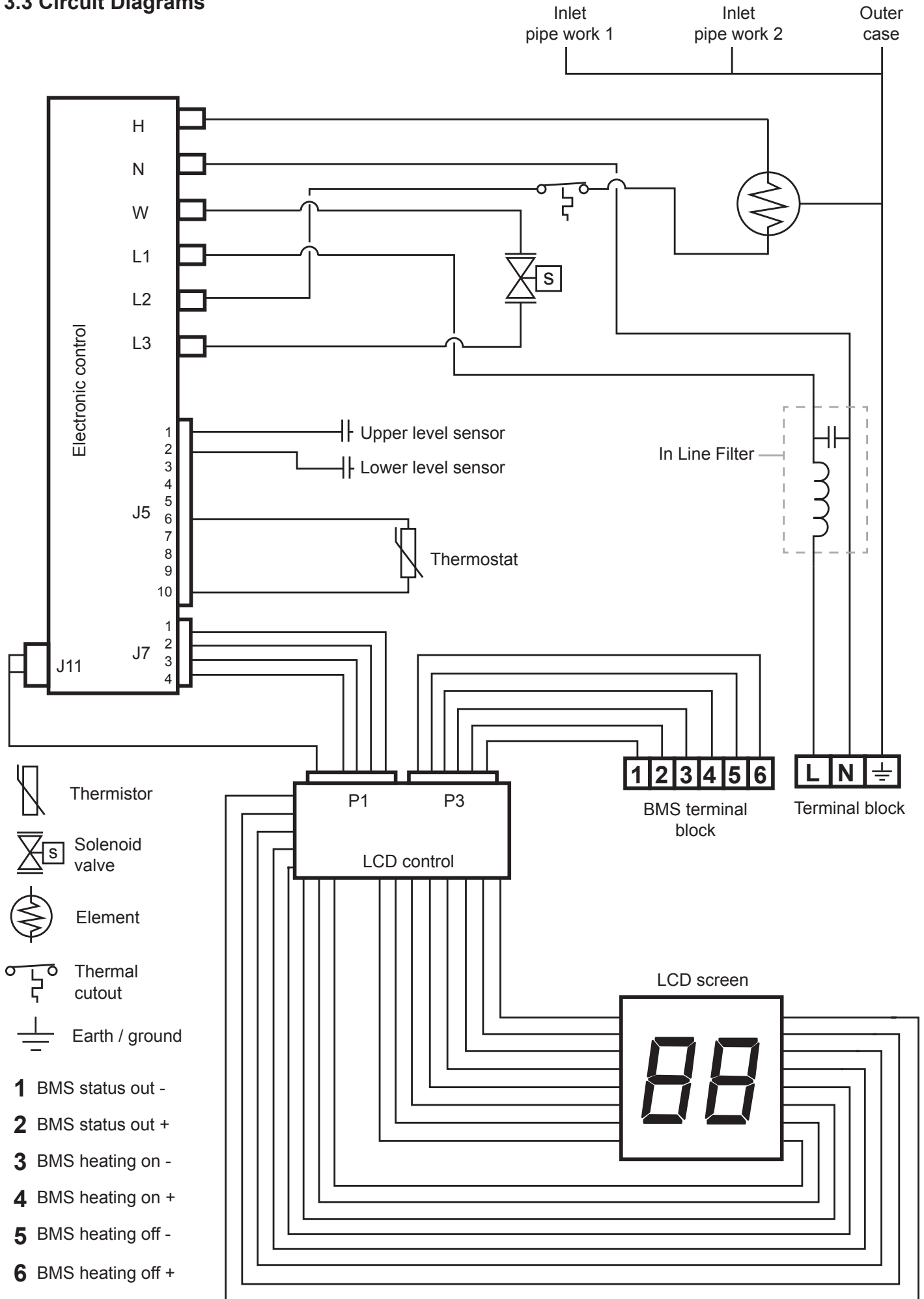


Figure 3: Circuit diagram



## 4. Description of the product

### 4.1 General description

These water heaters are a series of wall mounted units that store and produce domestic hot water efficiently. These vented units (unpressurized) mount securely to the wall. Where required additional pressure safety components may be added.

There are four models in the range:

- ▶ FBM 25 ECO
- ▶ FBM 45 ECO
- ▶ FBM 70 ECO
- ▶ FBM 120 ECO

The unit is supplied complete with safety and control devices needed to allow connection to the cold water supply where the pressure is below 10 bar. All these components are preset and should not be tampered with. The units' hot and cold pipes are situated so as to provide ease of installation. The unit also has a breather connection at the top that provides a visual indication, via the tundish supplied, of overfilling should

the unit fail. This must be vented to a suitable and safe location, preferably an outside wall.

### 4.2 Operation principle

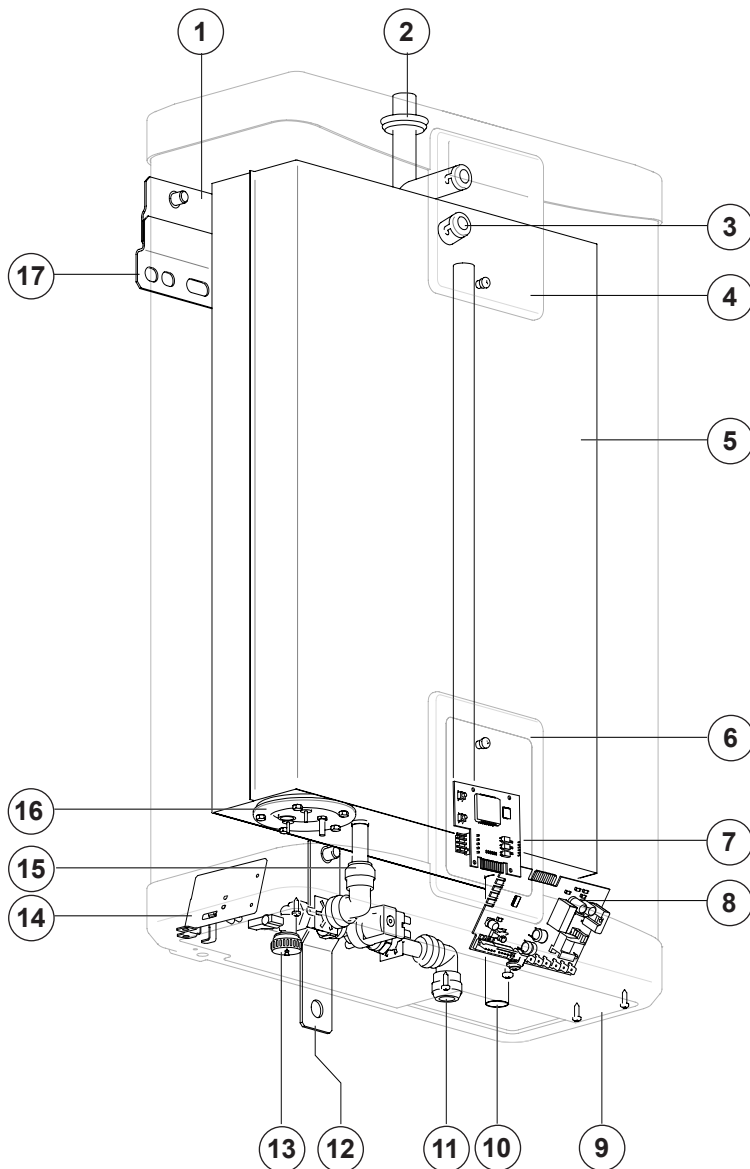
All the unit sizes produce DHW in the same way, by heating the potable water volume via an immersion heater. The hot water temperature programmed in the unit is factory set to 60 degrees centigrade, but can be adjusted to suit the installation requirements via the digital interface panel.

#### 4.2.1 Temperature Control

The temperature of the stored water can be adjusted between 38 degrees centigrade and 78 degrees centigrade, this is achieved by selecting manual mode on the digital interface and then selecting the temperature required using the temperature buttons, up and down as shown on page 20.

#### 4.2.2 Water inlet control

When hot water is drawn from the water heater, the unit will detect a change in water level automatically and request refill via a solenoid valve. The flow of potable water is controlled via a flow restrictor, this ensures that



Number	Part description
1	Product bracket
2	Breather gasket
3	Level sensor assembly
4	Sensor cover
5	Tank assembly
6	LCD screen cover
7	LCD board and display
8	Main electronic control
9	Base cover
10	22mm hot outlet pipe
11	15mm water inlet (push fit elbow)
12	Fixing bracket
13	Drain valve
14	Power cable clamp assembly
15	Inlet assembly
16	Immersion heater
17	Wall bracket

Table 4: Main components list

Figure 4: Main components diagram

the heater returns to the correct level in a controlled manner.

#### 4.2.3 Electronic Control

All heater functionality is controlled electronically which allows the following additional features to be supported:

- ▶ Automatic Water Level Control
- ▶ Digital temperature readout display using a Liquid Crystal Display, LCD
- ▶ Real-time user access to the heater for setup and adjustment
- ▶ Automatic Pasteurization Control
- ▶ Error Indication using the LCD
- ▶ Building Management System (BMS), interface allowing remote connectivity to the heater through volts free connections.

##### 4.2.3.1 Water Level

In normal operation the water heater manages the level of the stored water inside the unit automatically, maintaining the correct level and ensuring optimum performance from the heater. In the unlikely event of a system failure, the heater has safety features to ensure that it shuts down in a safe manner, see troubleshooting section on page 26.

##### 4.2.3.2 User Interface

An LCD display is fitted to the water heater to provide real time indication of the stored water temperature inside the unit. In addition, the user interface provides a visual indication of 'power on' and 'heater on' via two red indicators.

The Power On light indicates that mains, 230V ac power is applied to the unit and that care should be taken. However this is not proof of isolation, see page 5 for more safety information.

Heater On indicates that the immersion heater is turned on and will heat the stored water to the required set point. In addition the user interface has two control buttons, these allow the heater to be put into manual mode and the stored water set point to be adjusted to the required level, see temperature adjustment section on page 20. This user interface provides the end user, support engineer or commissioning engineer with a clear visual indication of the heater status and allows adjustment of the water temperature set point. The LCD provides additional information, see section 4.2.3.4.

##### 4.2.3.3 Auto Pasteurization



#### WARNING

- ▶ The stored water temperature during this function exceeds that which is safe for hand wash requirements, if the stored hot water is used for hand washing then an appropriate water tempering device must be fitted at the point of use.

The water heater will automatically heat the stored water temperature to 60°C for one hour should the stored water set point temperature be inadvertently set to 55°C or less for a period of 23 hours. This pasteurization function ensures that the risk of developing Legionella within the water heater is minimized.



#### WARNING

- ▶ With the addition of this feature, the obligation to control Legionella under the provisions laid down by L8, Legionnaires' disease: The control of legionella bacteria water systems. Approved Code of Practice and guidance, within the hot water supply network pipe work are not negated. It is still the responsibility of the end user or contracted support agency to manage this requirement.

##### 4.2.3.4 Fault Condition Indication

In the unlikely event that a fault with the water heater develops an error code is displayed in the LCD display. This is intended to aid fault analysis and helps to reduce the heater downtime whilst the fault is analysed. See the troubleshooting section of this document for further information. One of six error codes will be displayed in the LCD should a fault develop, see page 27.

##### 4.2.3.5 Building Management

The water heater has electronic hardware that will allow the unit to interface with Building Management Systems that are hard wired.



Interconnection with wireless systems is not possible.

Supplied with the heater is a six way terminal block that will allow the heater to be hard wired to the Building Management System through a 'Volts Free' connection. See the heater wiring diagram for wiring connections on page 8. The interface will allow two input signals to control the immersion heater to turn it remotely either on or off and an output signal line providing status of the heater, fully operational or in fault condition.

#### 4.3 Standard delivery

The units are supplied to site in one package. Within the box there will be a set of fitting instructions wall mounting and fixing brackets, heater assembly and breather pipe assembly.

## 5. Before installation

### 5.1 Installation regulations



#### WARNING

Installation of the appliance must be carried out by a qualified engineer in accordance with prevailing and national regulations as listed below.

- ▶ Building Regulations
- ▶ The Building Standards (Scotland)
- ▶ The Building Regulations (Northern Ireland)
- ▶ I.E.E Electrical Regs
- ▶ UK Water Regulations

### 5.2 Installation requirements

The unit should not be used in association with any of the following:

- ▶ Water supplies that have either inadequate pressure or where the supply may be intermittent. (Minimum dynamic pressure 0.5 bar).
- ▶ In areas where the water consistently contains a high proportion of solids, e.g. suspended matter that could block the strainer, unless adequate filtration can be ensured.
- ▶ In areas where the water supply contains chloride levels that exceed 250mg/L.

For information or advice regarding any of the above contact Technical Enquiries on: 0344 871 1535.



The unit can be connected directly to the water supply source provided that a minimum dynamic pressure of 0.5 bar and maximum pressure of 10 bar. If the measured inlet pressure exceeds this value then a pressure reducing valve must be fitted, this is available through Heatrae Sadia's supply partners.

### 5.3 Transport and storage

If the unit has to be stored prior to installation, it must be in a secure area free from frost, excessive dampness and humidity.

### 5.4 Choice of location

The unit must be vertically wall mounted and the following points should be considered:

The unit should be sited to ensure minimum dead leg distances, particularly to the point of most frequent use. However there should be a minimum height between the hot water outlet and the highest draw off point, outlet tap, of 1.2 meters.

Avoid installations where extreme cold temperatures

will be experienced. All exposed pipe work should be insulated.

The breather pipe work from the top of the unit should have a continuous fall, and ideally vent to an outside wall in a safe manner via the tundish supplied.

Access to associated controls must be available for the servicing and maintenance of the system, the heater requires access from the front and underside for this purpose, refer to figure 6 page 12. Ensure that the wall the unit is mounted on, is perpendicular and capable of permanently supporting the weight when it is full of water see Table 1 on page 6 for the unit weights.



#### WARNING

- ▶ In the unlikely event that water from the unit should vent from this breather pipe then the water could be at an excessive temperature exceeding 95 degrees. Therefore it is essential that the breather pipe work selected is capable of withstanding this temperature and must have no obstruction and allow free and safe passage for this hot water.

### 5.5 Positioning and access

It is important that as much access available is provided around the unit as is practical. In the event of a component failure, full access to the front and underside of the unit is required for servicing. A minimum of 150mm above the top of the unit must be kept clear for access, refer to figure 6, page 12.

Access to all isolation valves and control valves in the water circuits, both hot and cold are also required for normal operation and servicing.



#### CAUTION

- ▶ Ensure that the unit is correctly positioned. Consideration should be given to the access and space requirements for operating and servicing the unit.



The breather pipe assembly at the top can be positioned on either the left or right.

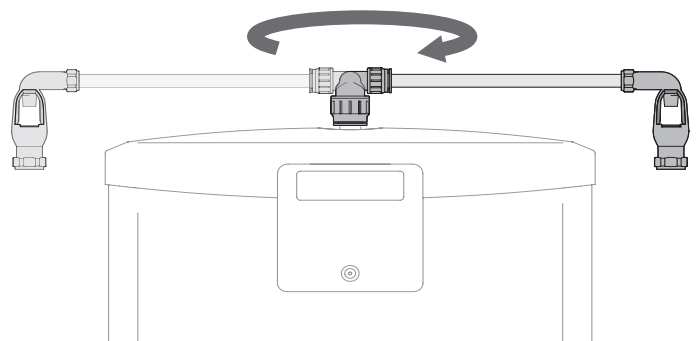


Figure 5: Breather pipe assembly

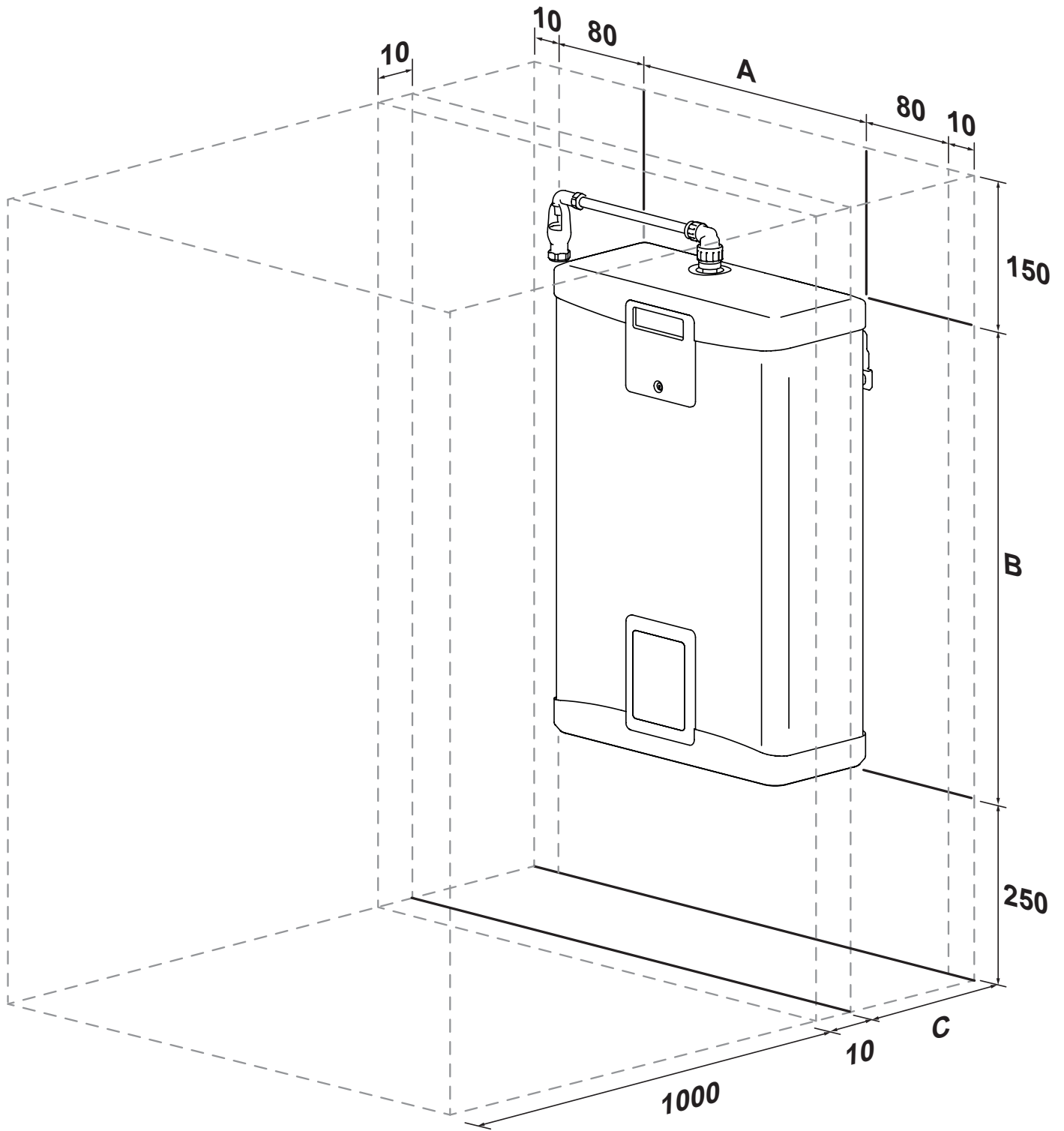


Figure 6: Clearance diagram

	FBM ECO 25L	FBM ECO 45L	FBM ECO 70L	FBM ECO 120L
<b>A</b>	510	609	609	660
<b>B</b>	830	882	1221	1020
<b>C</b>	235	275	275	429

Table 5: Clearance dimensions

## 6. Installation

### 6.1 General

After reading sections 1 - 5 in this booklet please install the unit paying attention to the following water connection, electrical and commissioning sections.

#### 6.1.1 Siting of the unit

These water heaters are vented and can supply multiple hot water outlets. The units must be mounted higher than the taps they supply, refer to figure 7 below, due to gravity supplied hot water.

Ideally the heater should be fitted close to the point where hot water is required. In order to present the minimum resistance to flow we recommend that the outlet pipe work be 22mm for as much of its length as possible.

Sufficient space around the water heater must be provided for both installation and servicing, refer to figure 6, page 12 for the clearance dimensions.

#### 6.1.2 Water Connections

The unit is supplied with the following connections:

- ▶ Cold water inlet – 15mm push fit connector
- ▶ Hot water outlet – 22mm open end pipe
- ▶ Breather pipe - 22mm open end pipe (Initial Breather Pipe with tundish supplied in kit)

A full bore isolating valve must be inserted into the 15mm cold water inlet pipe work as close as is practical to the water heater, this is to aid both the installation and servicing of the unit during its service life.



#### WARNING

If the unit is being installed for a hand wash only requirement then it must be fitted with an appropriate low pressure blending valve on the hot pipe work, close to the point of use outlet. These available through the supply partners found on the back page. This will allow the water in the heater to be stored at a higher temperature, water stored above 60°C not only gives more usable blended hot water output, it also considerably reduces the possibility of harbouring bacteria

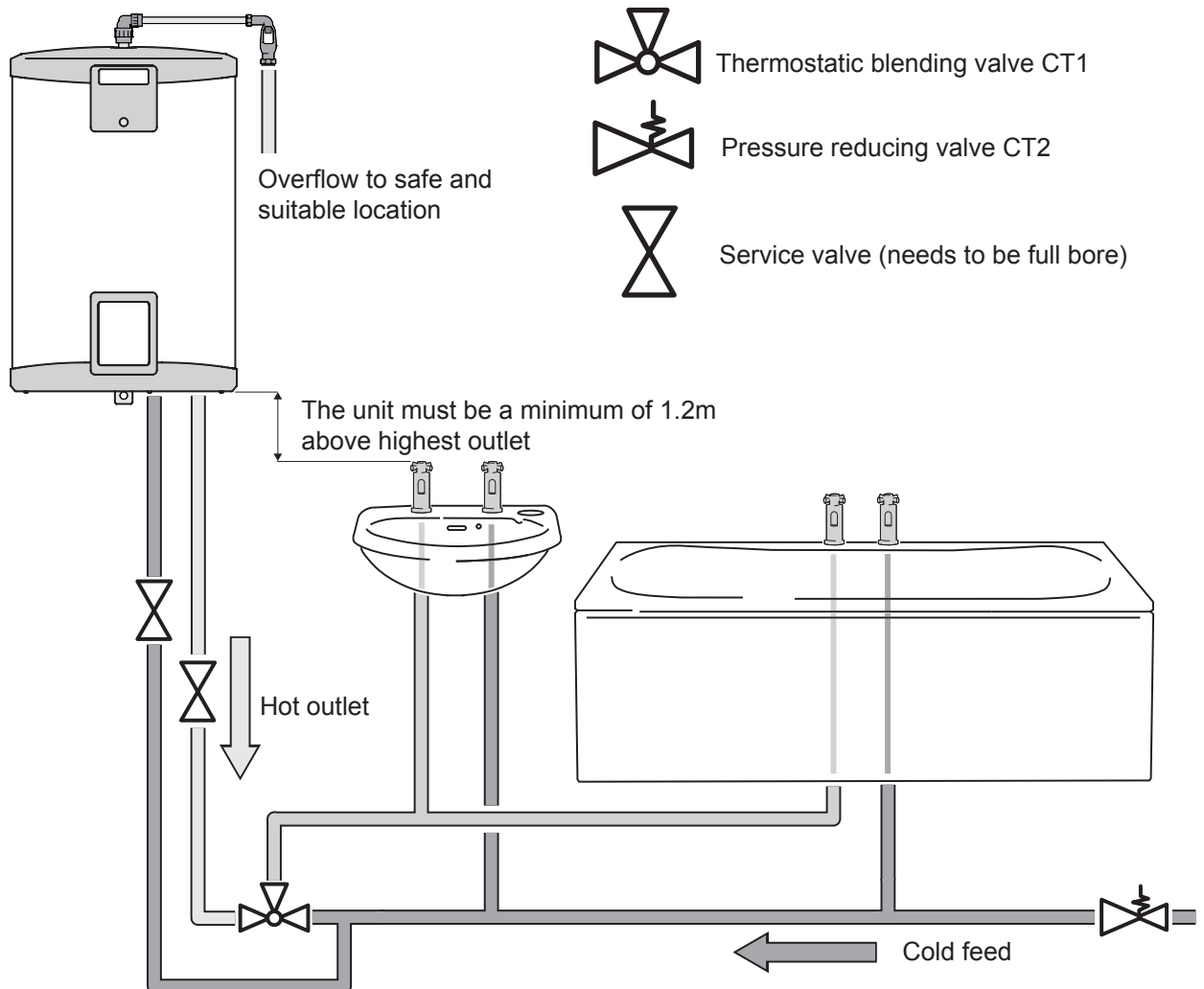


Figure 7: Example of typical installation (not to scale)

## 6.2 Wall fixing

The units' wall mounting is provided by two brackets, one supplied already fitted to the water heater, the second 'wall bracket' is provided within the kit.

The wall bracket has several mounting points. If the water heater being installed is a direct replacement for either an existing Heatrae Sadia FBM or Santon R Unit of the same capacity, then the wall mounting points used by these existing water heaters will align with the corresponding mounting points on the new wall bracket for the unit, see figure 8 and 9 below.

In addition to these mounting points the wall bracket has additional holes that may align with those previously used by the water heater being replaced, see tables 6 and 7 below.



When fitting the wall bracket ensure that the fixings used are suitable for the wall structure and the weight of the water heater when full of water, see technical data table 1 on page 6 of this instruction manual.



### CAUTION

The wall bracket is supplied within the packaging at the top.



There are two types of main brackets, one which only fits the 25L unit and another which fits all the larger sizes.

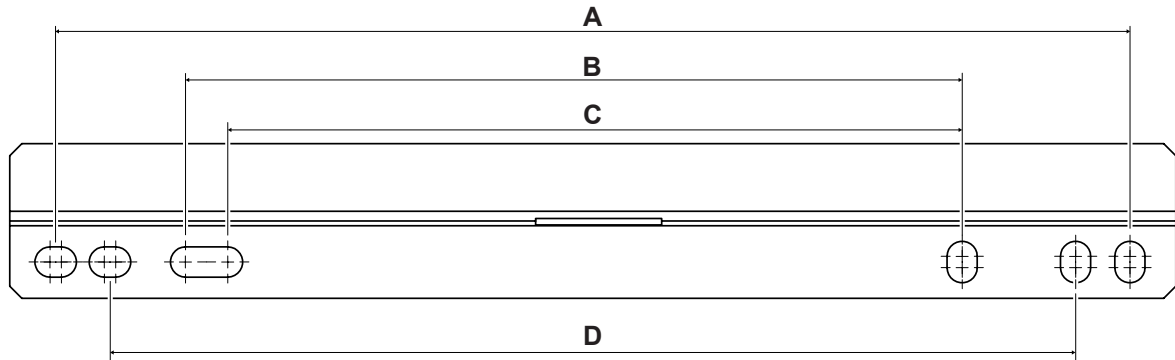


Figure 8: 25L wall bracket

	Previous product fit	Dimension
<b>A</b>	FBM 25L	445
<b>B</b>	OTHER	320
<b>C</b>	R UNIT 25L	307
<b>D</b>	OTHER	400

Table 6: 25L unit bracket hole dimensions

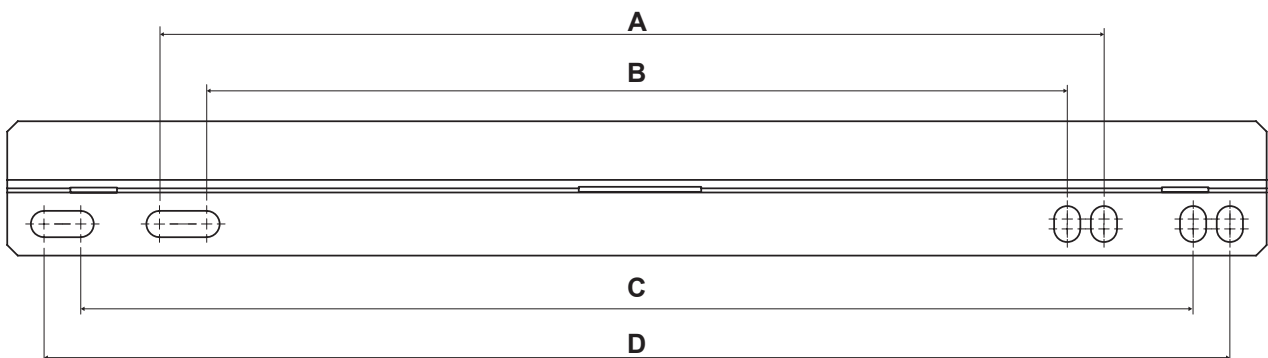


Figure 9: 45L, 70L and 120L wall bracket

	Previous product fit	Dimension
<b>A</b>	FBM 50, FBM 75 AND OTHER*	445 (450)*
<b>B</b>	R UNIT 45L, 70L and 115L	410
<b>C</b>	OTHER	530
<b>D</b>	FBM 125L	565

Table 7: 45L, 70L and 120L bracket hole dimensions



### 6.2.1 Wall fixing procedure top bracket

If the unit being fitted is a direct replacement for an existing Heatrae or Santon product of the same capacity then as stated in section 6.2 the existing wall fixing points can be used, provided that they are suitable for the weight of the water heater being fitted when full of water, see table 1, page 6. If the water heater is being fitted for the first time then follow the procedure detailed below.



#### WARNING

Before drilling ensure there are no services in the immediate area within the wall structure

- ▶ Mark the position of the bottom edge of the heater ensuring that this position is a minimum of 1.2 meters above the highest draw off point see figure 7, page 13.
- ▶ Mark the position of the centre line for the wall bracket mounting holes and mark the centre points for the fixings, see figure 10 for position.
- ▶ Drill appropriate holes for the fixings
- ▶ Secure the wall bracket to the wall using suitable fixings, ensuring that it is secure.

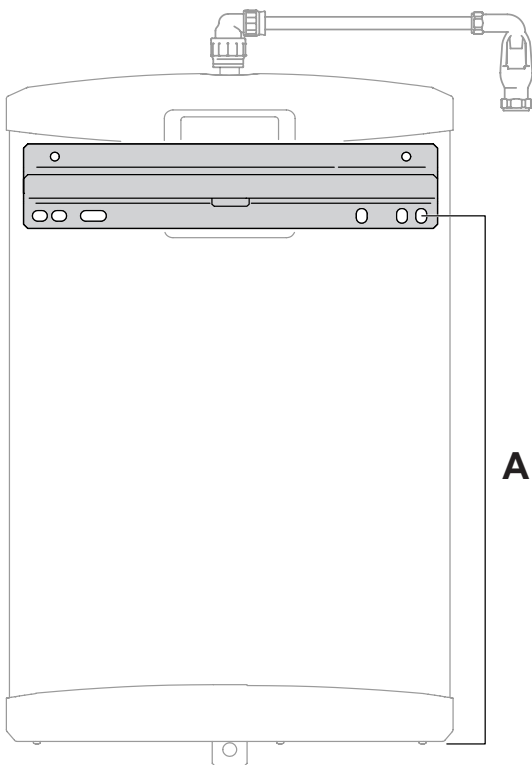


Figure 10: Fixing bracket dimension to bottom of unit

Product Size	25L	45L	70L	120L
Dimension A	621	679	1015	806

Table 8: Fixing bracket dimension to bottom of unit

### 6.2.2 Wall fixing procedure bottom bracket

- ▶ Supplied with the water heater as part of the kit is

a fixing bracket with two screws and shake proof washers. The fixing bracket is required to be fitted to the water heater. Lay the water heater down on a flat surface, face down, ensuring that the heater is protected from any potential damage. Remove the bracket, screws and washers from the packaging and fit the bracket to back of the water heater as shown.

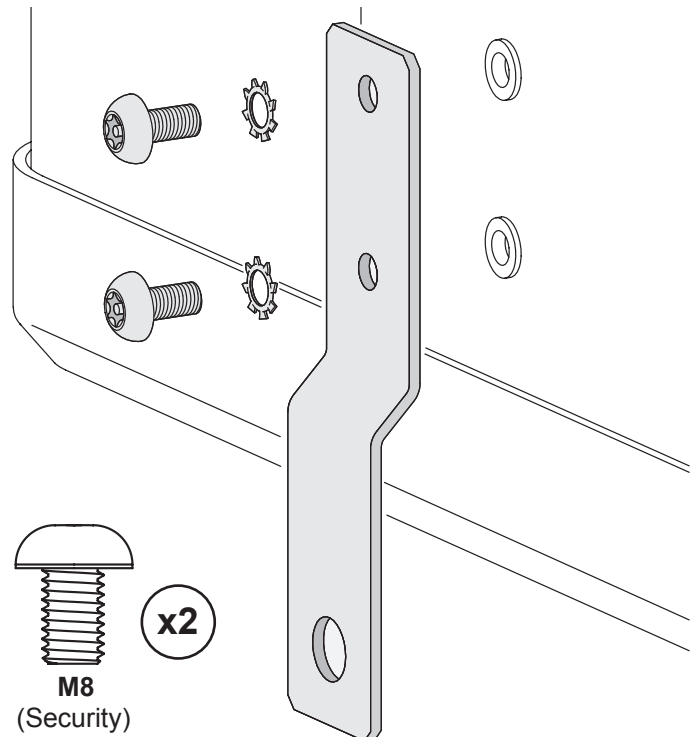


Figure 11: Fixing bracket assembly at bottom of unit

- ▶ Carefully stand the water heater upright, taking care not to damage the unit.



#### WARNING

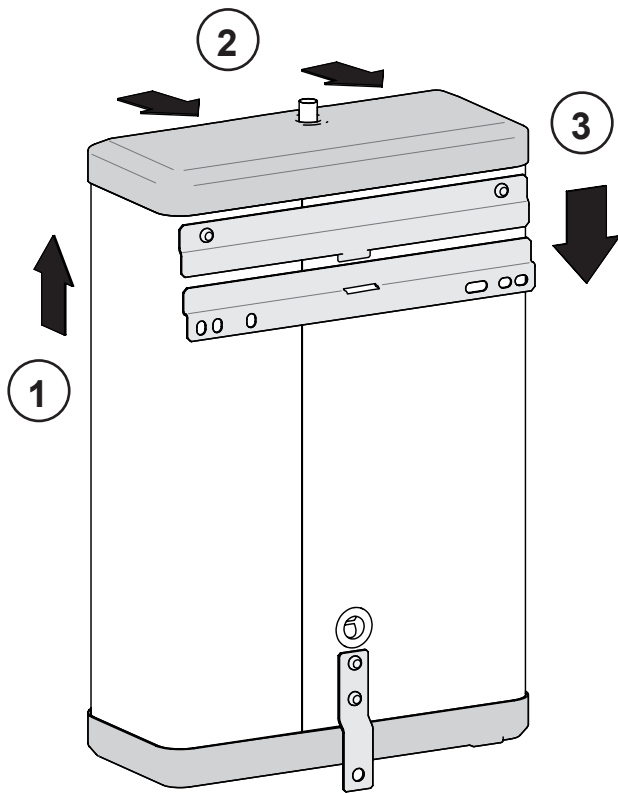
Be aware that with the fixing bracket attached the water heater will not sit flat to the floor and therefore will be unstable. Care must be taken not to allow the heater to topple over.

- ▶ Refer to table 1, page 6 for the weight of the water heater empty, using an appropriate lifting method lift the water heater up and position the bottom edge of the water heater bracket over the top edge of the wall bracket, position the unit towards the wall and then lower, see figure 12, page 16.

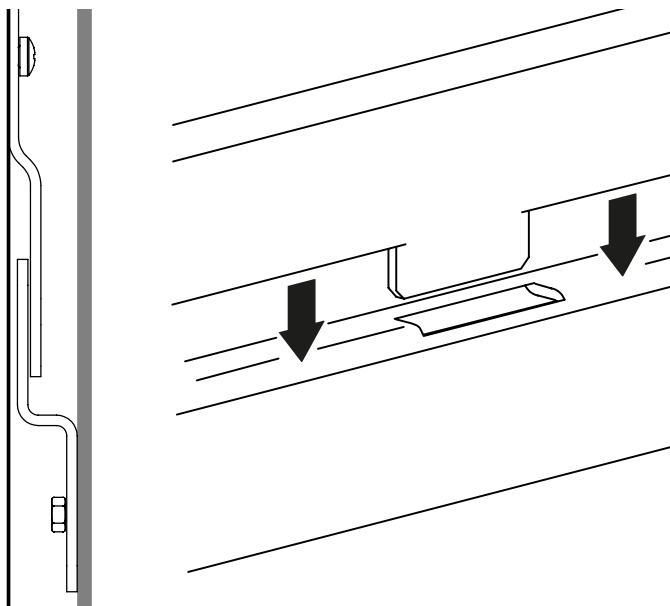


#### CAUTION

Please note that the water heater bracket has a location spigot that sits lower than the visual edge. This needs to be taken into consideration when positioning the unit above the wall bracket.



**Figure 12: Bracket lifting procedure**



**Figure 13: Top bracket locating procedure**

- ▶ Once the water heater is located correctly on the wall bracket, slide either left or right to locate the spigot in the slot, see figure 13 above.
- ▶ Using an appropriate fixing, secure the water heater to the wall with the fixing bracket at the bottom of the heater.

## 6.3 Water connections



### WARNING

Do not use chrome or stainless steel pipe work on push fittings on this unit.



### WARNING

A minimum dynamic pressure of 0.5 bar and maximum pressure of 10 bar is required. If the measured inlet pressure exceeds this value then a pressure reducing valve must be fitted, this is available through Heatrae Sadia's supply partners.



### WARNING

All pipe work must be installed by a competent Installer and must comply with the following.

- ▶ The appropriate Water Supply (Water Fittings) Regulations 1999, Water Byelaws 2000 Scotland and the Water regulations Northern Ireland must be adhered to.
- ▶ The above regulations require the following;
- ▶ A servicing valve shall be installed on the inlet pipe Schedule 2 - Section 16(2).
- ▶ A servicing valve shall be installed on the outlet pipe Schedule 2 - Section 16(3).
- ▶ All fittings used must be WRAS approved

### 6.3.1 Water (Inlet)



### WARNING

If this unit is cistern fed there needs to be a minimum of 5m from the cistern to the top of the unit, to ensure a dynamic pressure of 0.5 bar.



Each installation can differ in requirement see figure 7, page 13 for a typical installation.

- ▶ Before work commences ensure the water supply is isolated at the main stopcock.
- ▶ Ensure that an isolating valve is inserted into the inlet feed pipe as close as is practical to the water heater.
- ▶ Connect the inlet feed pipe to the 15mm inlet push fit connector on the underside of the water heater, see figure 4, page 9.



### CAUTION

Do not use a solder fitting as this will invalidate the unit warranty



### 6.3.2 Hot Water Outlet

- ▶ An open ended 22mm pipe is provided at the bottom of the water heater for connection of the hot water outlet. Using a compression fitting to connect the outlet pipe to the hot water feed to the service points. Ensure that a full bore isolating valve is installed in this outlet pipe work as close to the water heater as practical.



#### CAUTION

Do not use a solder fitting



#### CAUTION

Inclusion of a non return valve and or a pressure reducing valve may be required when using a mixer tap to prevent back flow.

### 6.3.3 Breather Pipe

The water heater is provided with a breather pipe assembly which consists of a short section of 15mm pipe with a Tundish fitted at one end and a push fit 90 degree reducer at the other end.

- ▶ Push this assembly onto the 22mm pipe at the top of the water heater. This assembly is designed to swivel either to the left or the right of the unit. Decide which side is to be used for the location of the breather pipe. This pipe must be laid in a continuous fall and terminate to a safe and visible location. If a breather pipe already exists move the assembly to the correct side of the water heater.
- ▶ Once installed connect the breather pipe to the 22mm compression fitting on the Tundish, ensure connection is tight, secure all pipe work in the appropriate manner.

### 6.4 Electrical Installation



#### WARNING

The water heater must be connected to a 230/240V a.c. electrical supply using a double pole isolating switch fused at 13A, with a minimum 3mm contact separation in both poles. The supply cable must be 3 core and each core must have a minimum cross sectional area of 1.5mm<sup>2</sup>.



#### WARNING

Electrical installation must be carried out by a competent electrician and be in accordance with the latest I.E.E wiring regulations, ensure the electrical supply is switched off before making any connections to the unit.



#### WARNING

It is suitable for A.C. supply only.



#### WARNING

This appliance must be earthed.

- ▶ Using an appropriate tool, remove the bottom access panel, retain the screws and panel, place in a safe location.
- ▶ The supply cable must be routed through the cable entry point at the bottom of the heater and must be fed through the cable grip provided with the outer sheath of the cable firmly secured by tightening the screws on the cable grip in accordance with the latest version of BS 7671
- ▶ The cores of the supply cable must be connected to the terminal block provided, in the following manner ensuring that each connection is tight:

Earth (coloured green/yellow or green) to Earth Terminal E

Neutral (coloured blue or black) to termination marked N.

Live (coloured brown or red) to termination marked L.



If twin and earth cable is used the bare Earth conductor must be sleeved.

### 6.4.1 Building Management System Installation

- ▶ To connect the unit to a Building Management System refer to the electrical wiring diagram in section 3.3, figure 3, page 8 and Figure 14 below.



The BMS specification to operate the unit remotely is as follows:

Provide a +5V (10mA) supply supplied from the BMS interface to the positive (+) connection with respect to (wrt) the negative (-) connection.

Alternatively provide a +12V (24mA) supply via the BMS interface to (+) connection (wrt) (-) connection.

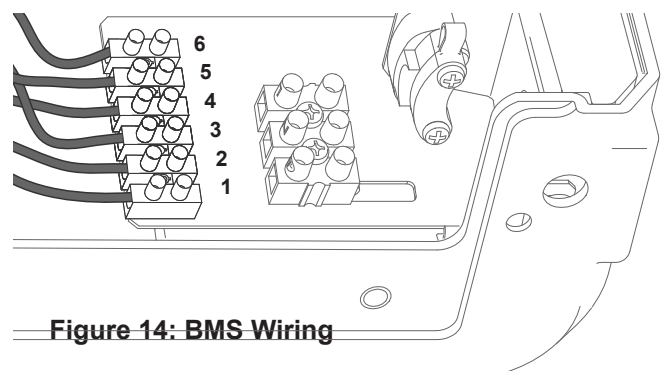


Figure 14: BMS Wiring

## 7. Commissioning

### 7.1 General

After the initial installation is complete instigate the following commission process.



#### WARNING

The water heater cannot be filled with water without power applied, therefore it is essential that the following checklist is completed.

### 7.2 Checklist before commissioning

- ▶ Turn the water supply back on and then the installed water inlet isolation valve.
- ▶ Perform a pipe work flush
- ▶ Check the inlet water connections for leaks and rectify as necessary.
- ▶ Check all other pipe work is installed correctly, see section 6.3, page 16.
- ▶ Turn the hot outlet isolation valve on.
- ▶ Open a hot tap at the point of use
- ▶ Check all wiring is correct and connections are secure in the terminals.
- ▶ Check that all pipe work has been earth bonded.
- ▶ Ensure the power supply to the water heater is switched on at source.



#### WARNING

If during the following commissioning process an error is indicated on the display then refer to the troubleshooting section for analysis, section 10, page 26.

### 7.3 Commissioning procedure

- ▶ Switch on the power to the water heater at the fused spur
- ▶ Ensure the water heater has powered up by looking at the display, a temperature value will be displayed in the LCD window and the red "Power On" light will be lit.
- ▶ After approximately 10 seconds the heater will switch the solenoid valve on and allow water to flow into the heater. If this does not happen refer to section 10, page 26, Troubleshooting.
- ▶ Check all pipe work and the water heater for leaks during the water fill process.
- ▶ Close the hot water tap once water starts flowing.
- ▶ Once water has reached the correct level in the tank, the solenoid will automatically switch off.



#### WARNING

If this does not happen and the water heater continues to fill and water is seen in the Tundish, turn off the water supply and the electrical power immediately, refer to section 10, troubleshoot page 26.

- ▶ The water heater will now turn on the immersion heater automatically. See section 3, page 6 Technical Specification for the heat up time.



During this initial commission cycle only, the water heater will raise the temperature automatically to 60°C, this will pasteurize the water heater.

- ▶ During the fill cycle and the water heat up cycle, check that no error code has been displayed, if no error code is displayed then the water heater is now ready for use.
- ▶ To set the desired set point temperature refer to section 8, page 20.

## 8. Operation

### 8.1 General



Please note that this product has been designed to make the operation of the unit and its subsequent generation of hot water as simple for the end user as possible. The factory settings that the unit is delivered with are suitable for most installations.



#### DANGER

Always disconnect the electrical supply before opening the cover.

### 8.2 Benchmark

The unit is covered by the Benchmark Scheme, which aims to improve the standards of installation and commissioning of domestic heating and hot water systems in the UK and to encourage regular servicing to optimise safety, efficiency and performance.

Benchmark is managed and promoted by the Heating and Hot Water Industry Council. For more information visit [www.centralheating.co.uk](http://www.centralheating.co.uk).

This product should be serviced regularly to optimise its safety, efficiency and performance. The service engineer should complete the relevant Service Record after each service. The unit must be serviced annually by a competent engineer to maintain the warranty. The Benchmark Checklist may be required in the event of any warranty work.

### 8.3 Overview

- ▶ Refer to section 4, page 9, for an overview of the product and a list of the main components.
- ▶ The heaters function is managed by a micro controller on the control PCB, in addition the end user interface is managed by the display PCB, together they form the heater controller.

## 8.4 Displays and Function

### Auto Mode

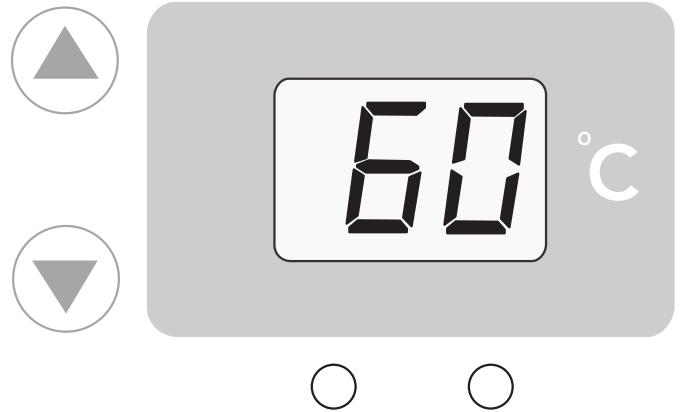


Figure 15: Auto mode display example

- ▶ When the water heater is in auto mode the display will show the current temperature of the water in the tank.

### Manual Mode

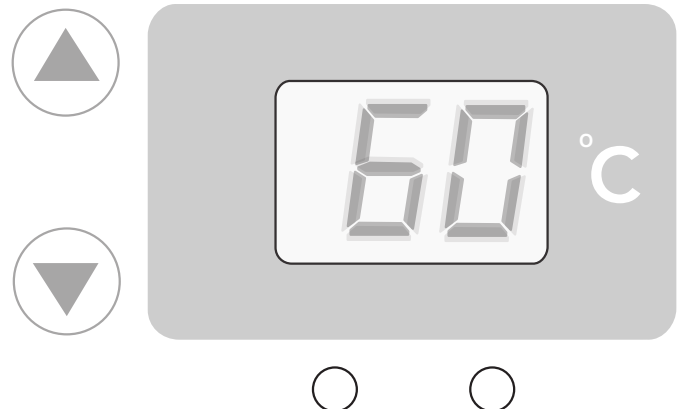


Figure 16: Manual mode display example

- ▶ When the water heater is in manual mode the display will flash and show the current set point temperature of the water in the tank. In manual mode the set point temperature can be changed.

### Auto pasteurization

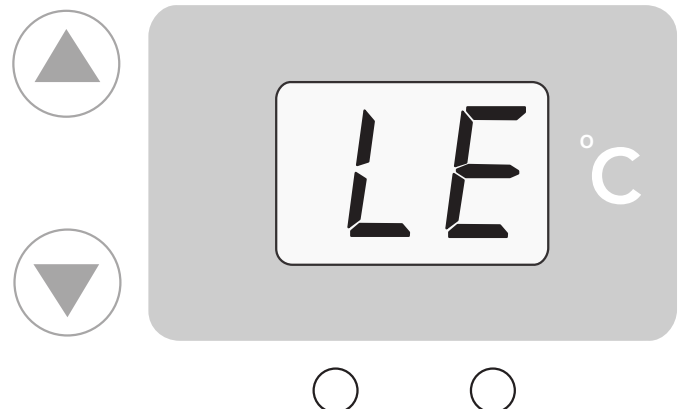


Figure 17: Auto pasteurization display example

- ▶ During auto pasteurization the display will be as above, indicating a Legionella Cycle for the water heater only

## Error codes

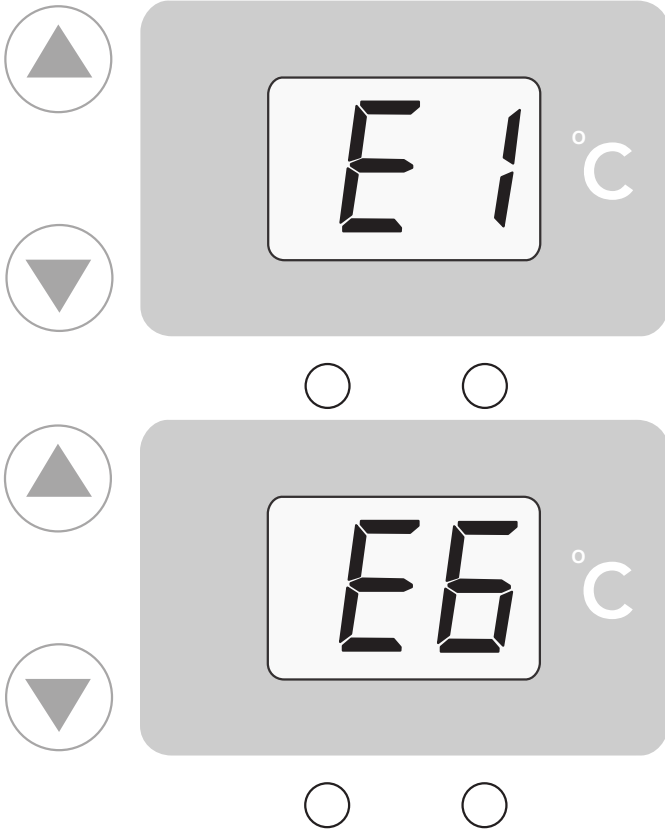


Figure 18: Error code display examples

- ▶ If a fault develops with the water heater during its service an error code between E1 and E6 will occur. For a full breakdown of the fault condition refer to section 10, troubleshooting page 26.

## 8.5 Temperature adjustment



### DANGER

Setting the stored water temperature above 40°C will increase the risk of scalding, for hand washing, it is essential that a suitable low pressure water tempering valve is fitted in the hot water supply circuit. The installer must ensure that this is carried out during installation. As an end user, if you are unsure about your installation then consult a competent engineer before making any changes.



### CAUTION

The temperature set point is the thermostat temperature and therefore may be lower than the temperature at the top of the tank where hot water is drawn off. That water temperature will be at the set point temperature + 2°C.

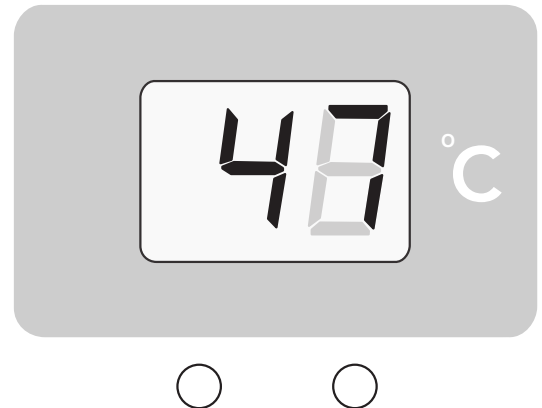


Figure 19: Temp adjustment display example

- ▶ Press and hold the up and down arrows, for at least 3 seconds. The heater will go in to manual mode, this will be indicated by the LCD flashing.
- ▶ Press the up button to increase the temperature and the down button to decrease the temperature.
- ▶ Each time the chosen button is pressed the set temperature will rise or fall by 1°C, therefore consecutive button presses may be required to achieve the desired set point temperature.
- ▶ Once the desired temperature is reached, the water heater display after a short time will stop flashing, returning to auto mode and the new temperature set point will be stored in its memory.



### DANGER

Setting the stored water temperature below 55°C will trigger the auto pasteurization cycle which will heat the water to 60°C after 23 hours. This cycle will repeat every 23 hours whilst it is set below 55°C.

## 9. Maintenance

### 9.1 General

#### 9.1.1 Maintenance requirements

The unit will require an annual maintenance requirement in order to ensure safe working and optimum performance. This is of greater importance in hard water areas or where the water supply contains particulate matter. Note: If the water is particularly hard or where there are high concentrations of particulates, then more frequent maintenance may be required.

The maintenance checks described below should be carried out annually or as required, by a competent person.

After any maintenance, please complete the relevant Service Interval Record, page 39.

### 9.2 Routine inspection & maintenance operations – Water Heater Draining



#### WARNING

Any metalwork and exposed pipes may be hot.



#### WARNING

Before commencing any servicing or maintenance including removal of the access panel at the bottom of the unit ensure that the electrical power supply and the domestic hot and cold water connections are all isolated.



#### DANGER

The water that is drained from the water heater could be very hot, up to 100°C, extreme care must be taken to prevent risk of scalding.

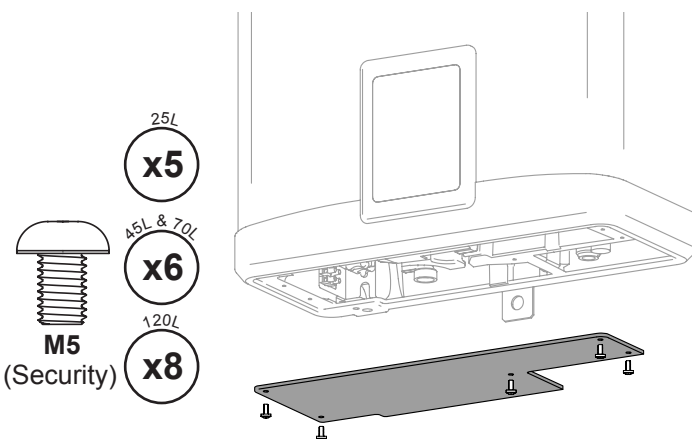


Figure 20: Access cover removal

- ▶ Remove the access panel from the bottom of the heater.
- ▶ Ensure that the drain tap is closed, remove the cap from the drain valve
- ▶ Using a 3/4 BSP female hose adaptor fitted to a suitable length of hose, connect to the drain valve.
- ▶ Ensure that the other end of the hose is positioned and secured in a sink, basin or suitable waste water drain.
- ▶ Open the drain valve and empty the water out of the heater.
- ▶ Once the water heater is empty, the servicing can commence.

### 9.3 Routine inspection & maintenance operations – Filter Inspection

There are two filters that require inspection, one in the breather pipe at the top of the water heater and a second in the water inlet pipe work.

#### 9.3.1 Breather Pipe Filter Inspection

- ▶ Carefully disconnect the Tundish from the breather pipe by unscrewing the small nut on the 15mm pipe side of the Tundish.
- ▶ Carefully split the connection between the 15mm pipe and the Tundish, once apart this will reveal the mesh filter in the end of the 15mm pipe.

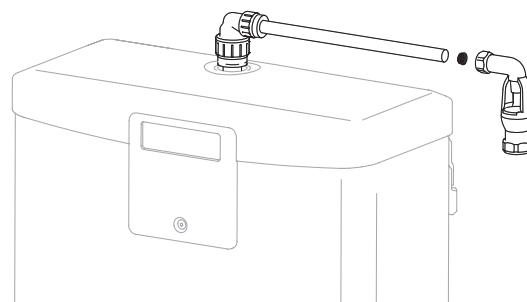


Figure 21: Breather pipe filter removal

- ▶ Using a torch, inspect the filter for any debris, if debris is present remove it. If the debris cannot be removed then the filter must be replaced, see spares list in section 12, page 30, spare 19.

#### 9.3.1.1 Breather Pipe Filter Replacement

- ▶ To replace the mesh filter, the 15mm breather pipe must be removed from the water heater, once removed, using an appropriate tool, push the filter from the end of the pipe. Fit the replacement filter by pushing into the end of the pipe nearest the Tundish. Refit the pipe and the Tundish.

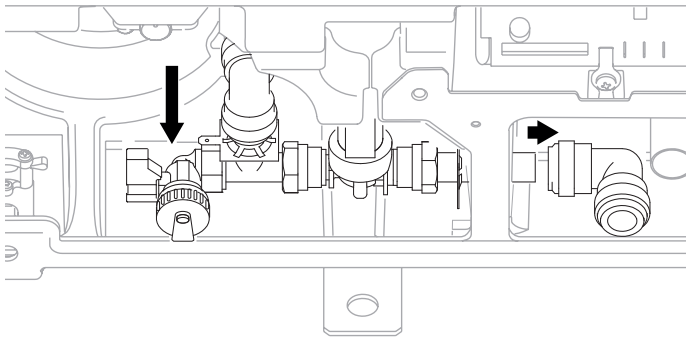
#### 9.3.2 Inlet Pipe Filter Inspection



#### WARNING

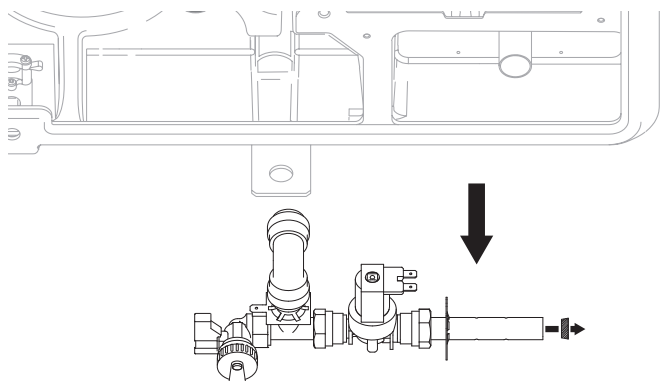
Ensure unit is drained.

- ▶ To inspect this filter, the inlet control assembly must be removed from the water heater.
- ▶ Disconnect the two earth wires that are connected to the copper pipe work



**Figure 22: Inlet assembly removal**

- ▶ Disconnect the two solenoid power connectors, red and black wires
- ▶ At either end of the inlet control assembly are two 15mm push fit connectors. Remove the inlet control assembly by releasing the two push fit connectors, one from the internal tank and the other from the cold water feed pipe, see figure 22.
- ▶ Move the inlet assembly to the left to clear the support bracket and pull the assembly down and out to clear the unit.
- ▶ The mesh filter can be found in the end of the 15mm pipe on the input side of the solenoid pipe.



**Figure 23: Inlet assembly filter removal**

- ▶ Using a torch, inspect the filter for any debris, if debris is present remove it. If the debris cannot be removed then the filter must be replaced, see spares list in page 30, spare 19.

**9.3.2.1 Inlet Pipe Filter replacement**

**i** If the mesh filter requires replacement, the inlet control pipe may have to be replaced, item 36 in the spares section page 31.

- ▶ To refit the inlet control assembly firstly make sure the assembly is complete, then engage the 15mm push fit on the inlet feed pipe.
- ▶ Push the other push fit connection onto the internal tank, ensure the 15mm push fit connectors are now correctly engaged.
- ▶ Re-connect the two solenoid power connectors, red and black wires.
- ▶ Re-connect the two earth wires that are connected

to the copper pipe work.

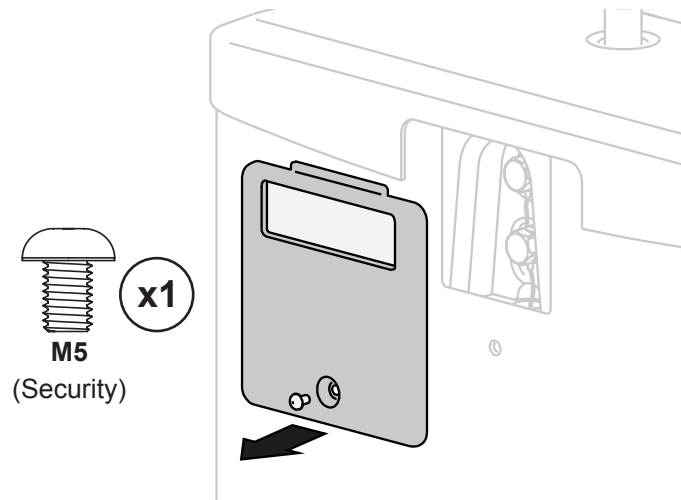
- ▶ Carryout final inspections to check that all parts removed are correctly fitted and all electrical wires are re-instated.

**9.4 Routine inspection & maintenance operations – Water Sensor Inspection**

**WARNING**

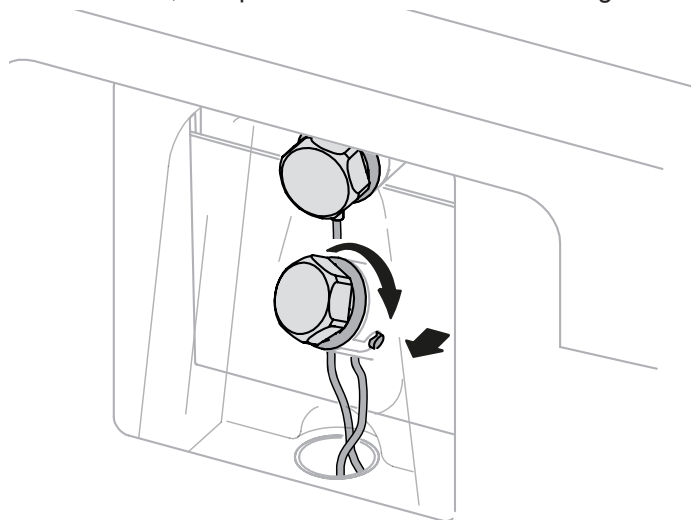
Due to a build up of scale and the temperature of the tank the sensors may be difficult to remove. If necessary the sensors can be eased out of their housings by using a pair of nylon faced pipe pliers and by applying gentle outward pressure through the pliers

- ▶ Ensuring the unit is drained, use an appropriate tool, remove the sensor cover, see figure 24.



**Figure 24: Sensor cover removal**

- ▶ Underneath the cover are two sensor assemblies, they are the water level sensor, lower bolt and the tank overflow sensor, upper bolt.
- ▶ In turn, remove the sensors and inspect for a build-up of scale.
- ▶ Turn the sensor clockwise until it cannot move any further, now pull the sensor out of its housing. If this



**Figure 25: Sensor removal**



is difficult to do, it may be necessary to exert a little more force as detailed at the start of this section.

- ▶ Once removed, inspect the end of the stainless steel bolt that is on the water side. Carefully remove any build-up of scale using the tip of a flat blade screwdriver.
- ▶ Lightly lubricate the O rings with WRAS approved silicone grease. Apply silicone grease sparingly to the inside face of the sensor housing.
- ▶ Refit the sensor into its housing, taking care to ensure the O rings do not get caught in the housing, then twist the sensor anti-clockwise a far as it will go
- ▶ If you need to replace the sensor assembly remove the bolt from old sensor and replace with new ensuring a small amount of PTFE tape is applied to the bolt.
- ▶ Repeat the above process for the tank overflow sensor, top.

- ▶ Remove all wiring that is connected to the immersion, see drawings below, any screws, nuts or washers must be kept safe for reuse later.
- ▶ Remove the thermistor out of its stat tube, smallest, see figures 26 and 27.


 There is no requirement to remove the electronic cut out, ECO, from the immersion pocket.



Figure 27: Thermostat removal

### 9.5 Routine inspection & maintenance operations – Immersion Heater Inspection



#### DANGER

The immersion heater could be hot, care must be taken when handling the heater.

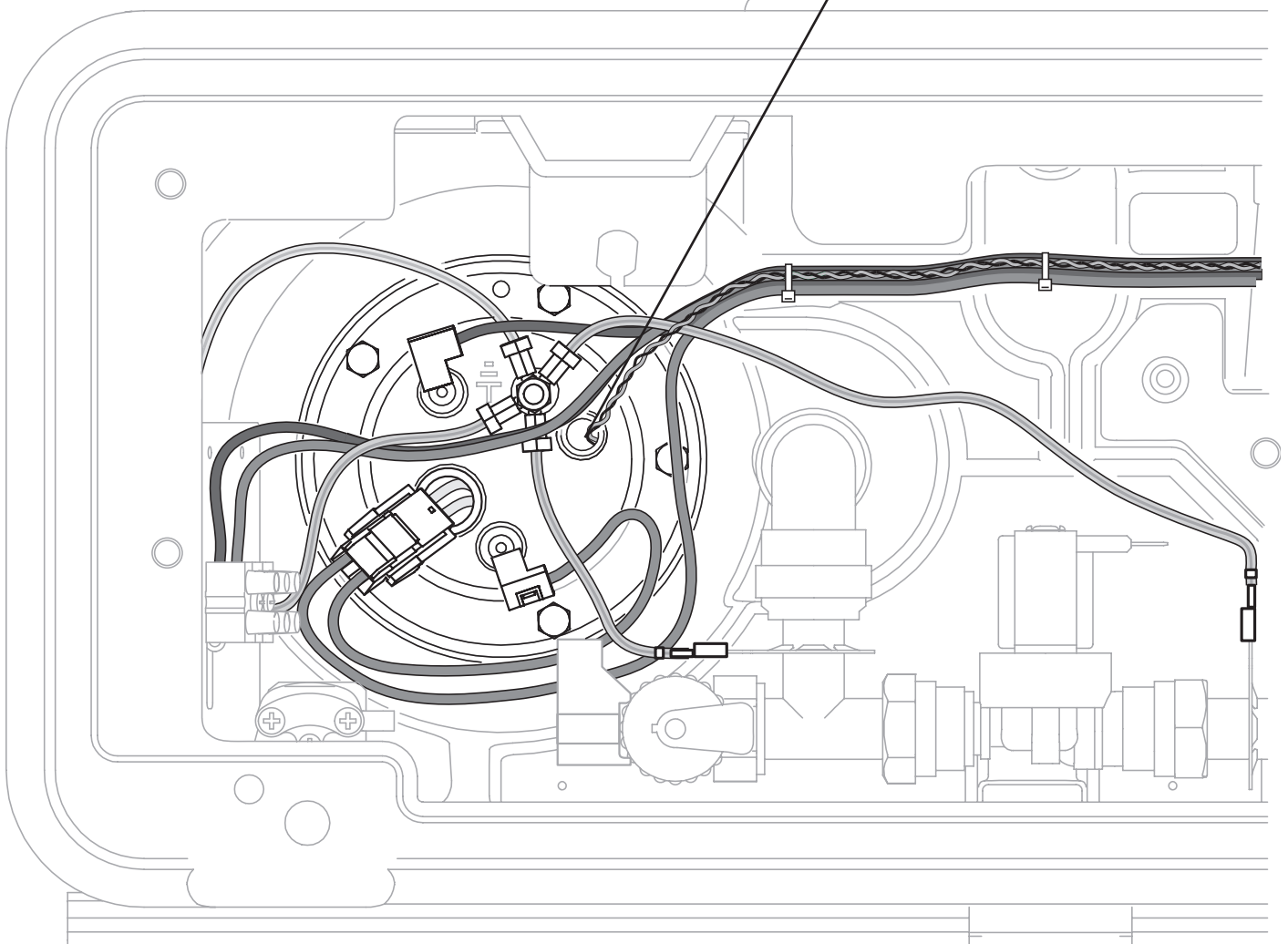
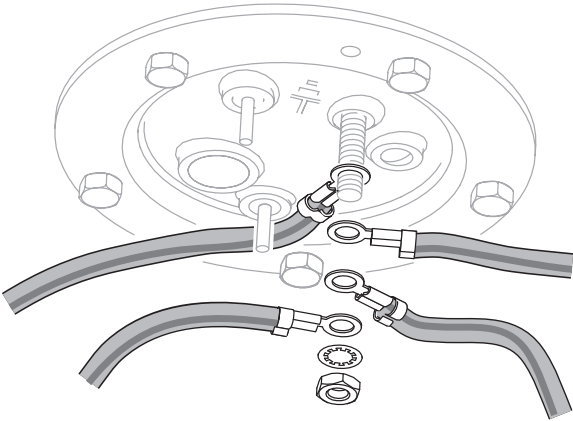


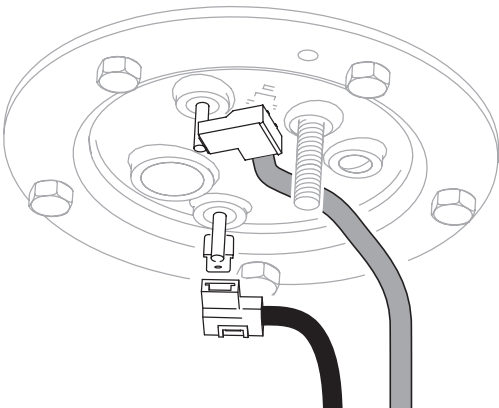
Figure 26: Base view

- ▶ Remove the earth wires from the immersion heater plate being careful not to lose nuts and washers, retain these in a safe location for reuse.



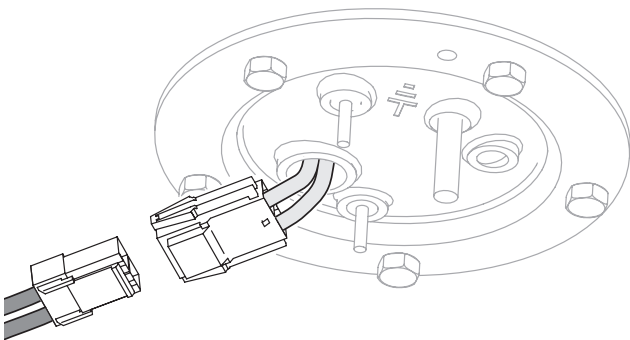
**Figure 28: Immersion heater earth wires**

- ▶ Remove the live and neutral wires which should slide off the immersion heaters terminal tags.



**Figure 29: Immersion heater live and neutral**

- ▶ Disconnect the Electronic Cut Out, ECO, sensor at the connector point of the clip connection close to the immersion heater itself.



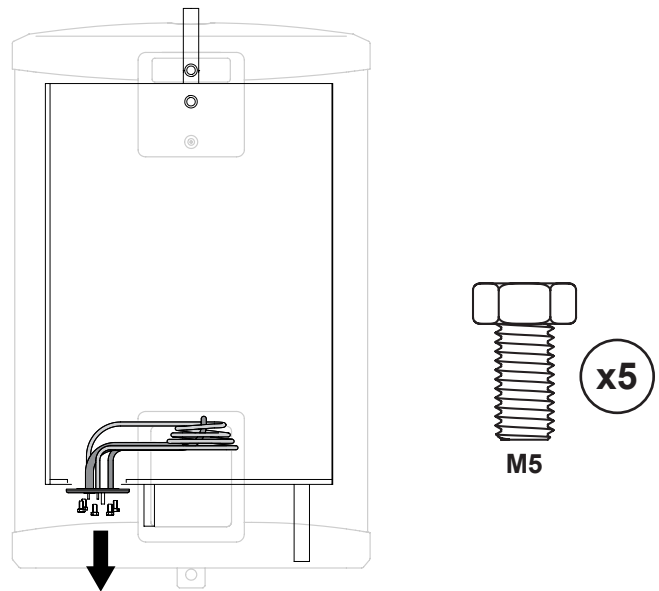
**Figure 30: ECO sensor connection**



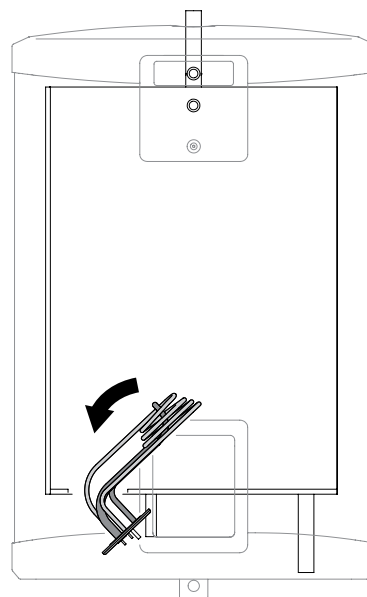
**WARNING**

When removing the immersion heater there will be a small amount of water still inside the tank, during removal of the immersion heater this water will escape. Care should be taken to ensure no water gets into the electrical connections or wiring. If this happens the wiring must be allowed to dry before applying power.

- ▶ Remove fixing bolts as shown in figure 31.
- ▶ Gently loosen the immersion heater from its housing.
- ▶ Once loose, remove the immersion by twisting the immersion in an arc and then vertically pull down, see figures 32 and 33.

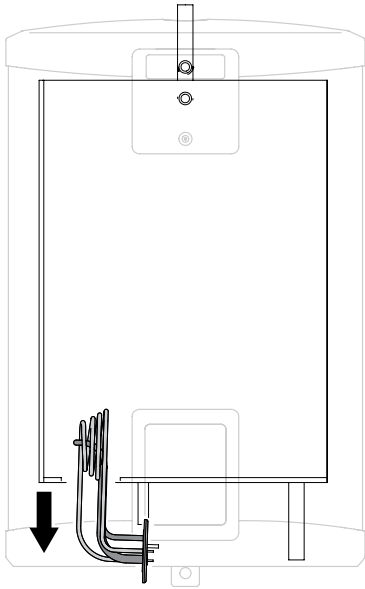


**Figure 31: Immersion heater removal step 1**



**Figure 32: Immersion heater removal step 2**





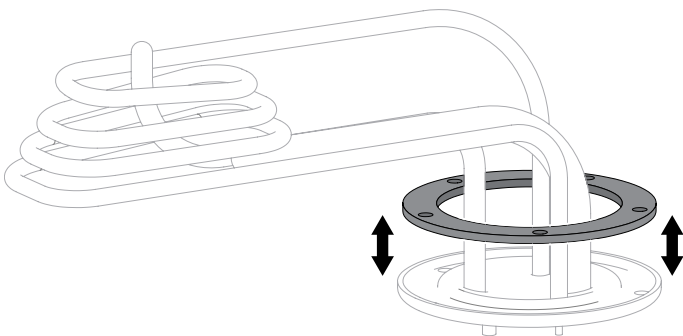
**Figure 33: Immersion heater removal step 3**



**WARNING**

Do not use sharp objects or implements to remove scale, this could permanently damage the immersion heater.

- ▶ Inspect the immersion heater for excess build-up of scale, all coils should be free of scale build-up between them and there should be no build-up of scale between the stat pockets and the immersion element. If scale in these areas exists carefully remove. If in any doubt about the condition of the immersion heater, then it must be replaced, see, page 30, spare 22 for spares.
- ▶ Reach up into the water tank opening and carefully remove any excess build-up of scale in the immediate area, this should be put into a suitable container for disposal.



**Figure 34: Immersion heater gasket removal**

- ▶ Remove and discard the immersion plate seal, then fit a new replacement part see figure 34. For part number see spares page 30, spares number 21.
- ▶ Refitting of the immersion heater is the reverse of the removal.
- ▶ Once the immersion has been reinstated, check that all wiring has been correctly fitted and that the

thermistor has been reinserted in its stat pocket, smallest tube and that of the ECO is correctly fully inserted in its stat pocket, largest tube using Dow Corning heatsink compound 340 or suitable alternative.

**9.6 Routine inspection & maintenance**



**CAUTION**

It is important that any work carried out on this unit is done by a competent engineer who is familiar with and understands the design of the system.

**Operations – System Overview**

- ▶ The engineer must now check the entire water heater for obvious signs of overheating, water contamination, corrosion etc. If all is good then the water heater can be re-commissioned.
- ▶ Refit the bottom access panel using the screws that were kept safe.
- ▶ Re-commission the water heater in accordance with page 18 and adjust the water temperature set point in accordance with section 8.5, page 20.

**9.7 LCD cover removal**

Should you ever need to replace the LCD board or the whole display cover you will need to follow these steps.

- ▶ Carefully peel back the top of the membrane display ensuring no damage.
- ▶ At the top there is a screw holding on the cover, unscrew this and the cover will slide off.
- ▶ On the reverse is the LCD PCB, this will be connected to the main PCB so do not pull the cover too far out.

## 10. Troubleshooting

### 10.1 Fault Finding

The fault finding table below will enable operational faults to be identified and their possible causes rectified.



If a fault code is displayed on the controller refer to the fault codes in table 10 on pages 27 and 28 for details.


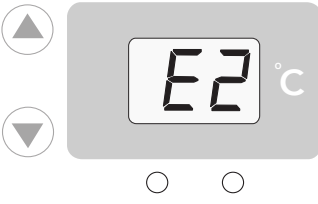


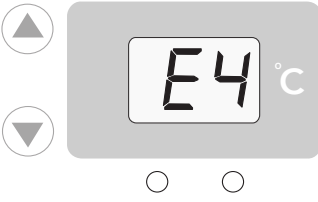
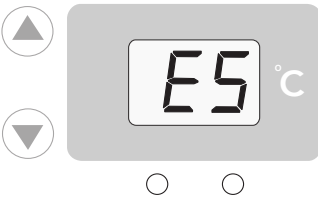

Fault	Possible cause	Remedy
No hot water flow	No cold water supply	Check that there is cold water to the property
	Cold water supply off	Check and open stop cock
	Hot water Isolating valve turned off	Turn on the isolating valve.
	Cold water control valves incorrectly fitted	Check and refit as required
	Water heater water level dropped below the hot outlet pipe inside the tank	Check level sensor connections and remove any build-up of scale
	Solenoid valve non operational	Check electrical connections
Water appears in the tundish	Water sensing inside the water heater has failed, both the level and overflow sensing.	Check the sensor wiring Check the control PCB, if the PCB is suspected as being faulty replace and then check operation
	Solenoid valve has failed in the open state	Replace the solenoid valve
	Scale build up	Remove scale
Water leaking from the water heater	Corrosion causing internal damage	Turn off the power, turn off the water supply, drain unit and investigate the fault
	Leaking pipe work	Turn off the power, turn off the water supply, drain unit and investigate the fault
	Leaking immersion seal	Turn off the power, turn off the water supply, drain the unit, remove the immersion and replace the seal
Steam rising from the tundish	Water heater temperature set point set to maximum	Verify that this is the required temperature, if not, return set point to required level
	Thermostat failure	Replace the thermistor
	Electronic cut out failure	Replace the cut out
Water heater fails to power up	Power supply failure	Check the supply to the fused spur
		Check the fuse in the spur
		Check the wiring and connections
		Check the control PCB
	Overheating electrical connections	Ensure electrical connections are tight, replace any damaged connections
	Overheating on control PCB	Turn power off, Investigate fault Replace PCB if required

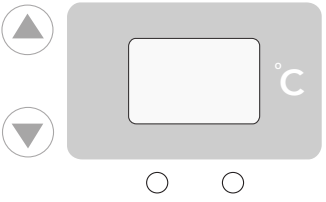
Table 9: Fault finding table

## 10.2 Fault codes


**i** All Error Codes must only be cleared once the problem has been resolved and the water heater has been powered off for at least 30 seconds and then powered on. If the error code reappears it is likely that the fault was not resolved

**i** In all error conditions listed below the water heater will shut down into a safe condition, will not open the solenoid valve or apply voltage to the immersion heater. However, the water heater will remain with power applied, the 'power' on light will remain lit.

Fault / error code	Fault	Cause of fault	Remedy
	E1 Indicates that a fault has been detected by the Controller linked to the thermistor	The thermistor is Open Circuit	Replace the thermistor
	E2 Indicates that a fault has been detected by the Controller linked to the thermistor	The thermistor is Short Circuit	Replace the thermistor
	The top water level sensor, is used to indicate that the water heater has over filled. If this is triggered, it indicates there is a fault with the heater solenoid valve or the bottom level sensor. A fault condition where the water levels cannot be controlled correctly, as a result the water heater will shut down.		
	E3 indicates that the lower water level sensor is not indicating water present, but the upper sensor is indicating water present	Lower water sensor is contaminated with scale build up	Remove and clean sensor in accordance with section 9.4, page 22
		Lower sensor wiring fault	Check wiring connections at either end of sensor wire
	E4 indicates that the lower water level sensor is indicating water present and the upper sensor is indicating water present	Top water sensor has shorted	Check wiring at either end of the sensor wire and at control board
		Solenoid valve is permanently letting water through	Replace solenoid
		Upper and Lower sensor wiring fault	Check wiring connections at either end of sensor wires
	E5 indicates that the solenoid valve has been open for more than 20 minutes, during this period the lower level sensor has not detected water	No water supply	Check water inlet feed
		Filter blocked	Check the condition of the filter in accordance with section 9, page 21
		Solenoid valve is faulty	Replace solenoid
		There is a fault with the main control PCB	Replace main control PCB
	E6 indicates that the water heater is taking too long to heat	Point of use hot tap has been left open	Shut off the tap
		Check that the electronic cut out has not been tripped due to a fault	Turn off the water heater for a minimum of 30 second and then reapply the power, this will reset the cut out
			Replace the electronic cut out
		Immersion heater is faulty	Replace immersion heater
		There is a fault with the main control PCB	Replace main control PCB

	A blank screen indicates an LCD fault	No power applied to the water heater	Check all power connections to the water heater
		Damaged wire connection	Replace LCD wiring loom
		Faulty control PCB	Replace control PCB
		Faulty LCD board	Replace LCD PCB

**Table 10: Error code table**

 Once the error code has been investigated carry out the following reset procedure.

- ▶ Turn the power off to the unit at the fuse spur, leave power off for minimum of 30 seconds, reapply the power.
- ▶ If the fault has been rectified the unit will re initialise and then run normally.

# 11. Decommissioning

## 11.1 Decommissioning procedure

- ▶ Isolate electrical supplies and make safe
- ▶ Disconnect all wiring
- ▶ Isolate the water supply
- ▶ Drain the unit
- ▶ Disconnect the unit
- ▶ Remove the unit
- ▶ Cap pipe work

## 11.2 Environmental Information

Products are manufactured from many recyclable materials. At the end of their useful life they should be disposed of at a Local Authority Recycling Centre in order to realise the full environmental benefits.

### WEEE Declaration

Disposal of Waste Equipment by Users in Private Households in the European Union.



This symbol on the product indicates that this product must not be disposed of with your other household waste. Instead, it is your responsibility to dispose of your waste equipment by handing it over to a designated collection point for the recycling of waste electrical equipment. The separate collection and recycling of your waste equipment at the time of disposal will help to conserve natural resources and ensure that it is recycled in a manner that protects human health and the environment. For more information about where you can drop off your waste equipment for recycling, please contact your local city office, your household waste disposal service or the company where this product was purchased.

## 12. Spares

Key	Description	Part Number
1	M5 x 10mm security screw	7034209
2	Sensor cover (grey)	7034159
3	M12 x 60mm hex head bolt	7034224
4	M12 x 20mm hex head bolt	7034153
5	M12 shake proof washer	7034154
6	Sensor Assembly	7034170
7	Unit bracket 25L	7034179
	Unit bracket 45L, 70L and 120L	7034181
8	Wall bracket 25L	7034180
	Wall bracket 45L, 70L and 120L	7034182
9	M8 shake proof washer	7034210
10	M8 security bolt x 16mm BZP hex head	7034211
11	LCD label	7034162
12	M5 x 10mm countersunk head pozi machine screw	7034225
13	Screen cover assy	7034158
14	LCD board	7034156
15	Screw 3mm x 6mm pozi pan head	7034190
16	Bottom fixing bracket	7034212
17	22mm to 15mm John Guest elbow	7034208
18	15mm breather pipe 25L	7034204
	15mm breather pipe 45L/70L	7034205
	15mm breather pipe 120L	7034206
19	Screen vent	7034183
20	Tundish 90 assembly	7034207
21	EPA Gasket	7034214
22	EPA incoloy 3kW Flat back	7034152
23	M5 hex head bolt	7034188
24	Main PCB Flat back	7034155
25	PCB clip	7034163
26	M5 x 10mm screw	7034189
27	Base shield 25L (grey)	7034164
	Base shield 45L/70L (grey)	7034165
	Base shield 120L (grey)	7034166
28	Terminal block 3 port	95 607 113
29	Screw No6 x 16mm	7034215
30	Push fit elbow 15mm	7034213
31	15mm pipe earthing grab ring	7034203
32	15mm x 3/4" w/mc angle valve w/cap	7034186
33	15mm inlet tee pipe 25L	7034176
	15mm inlet tee pipe 45L/70L	7034177
	15mm inlet tee pipe 120L	7034178
34	Washer 1/2" NBR	7034187

Table 12:Spares list

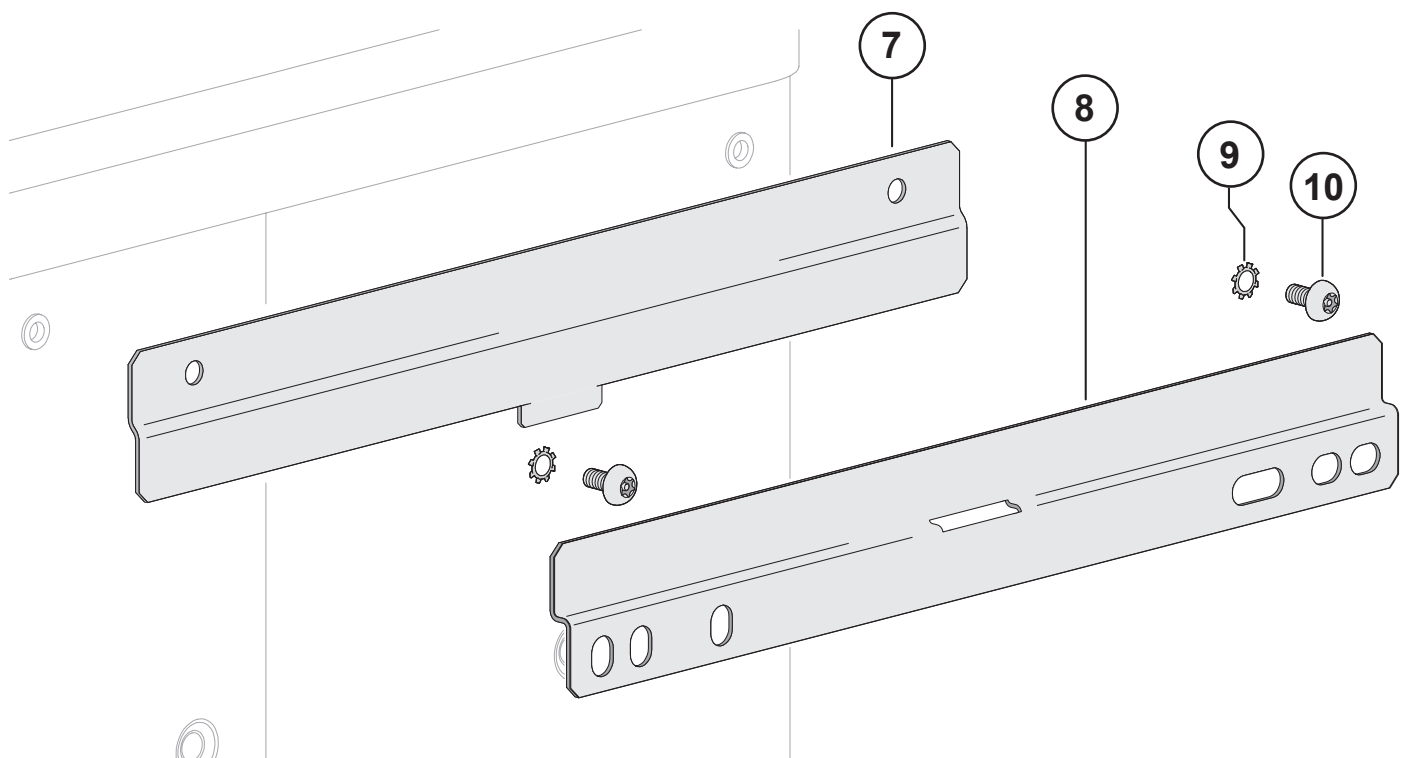
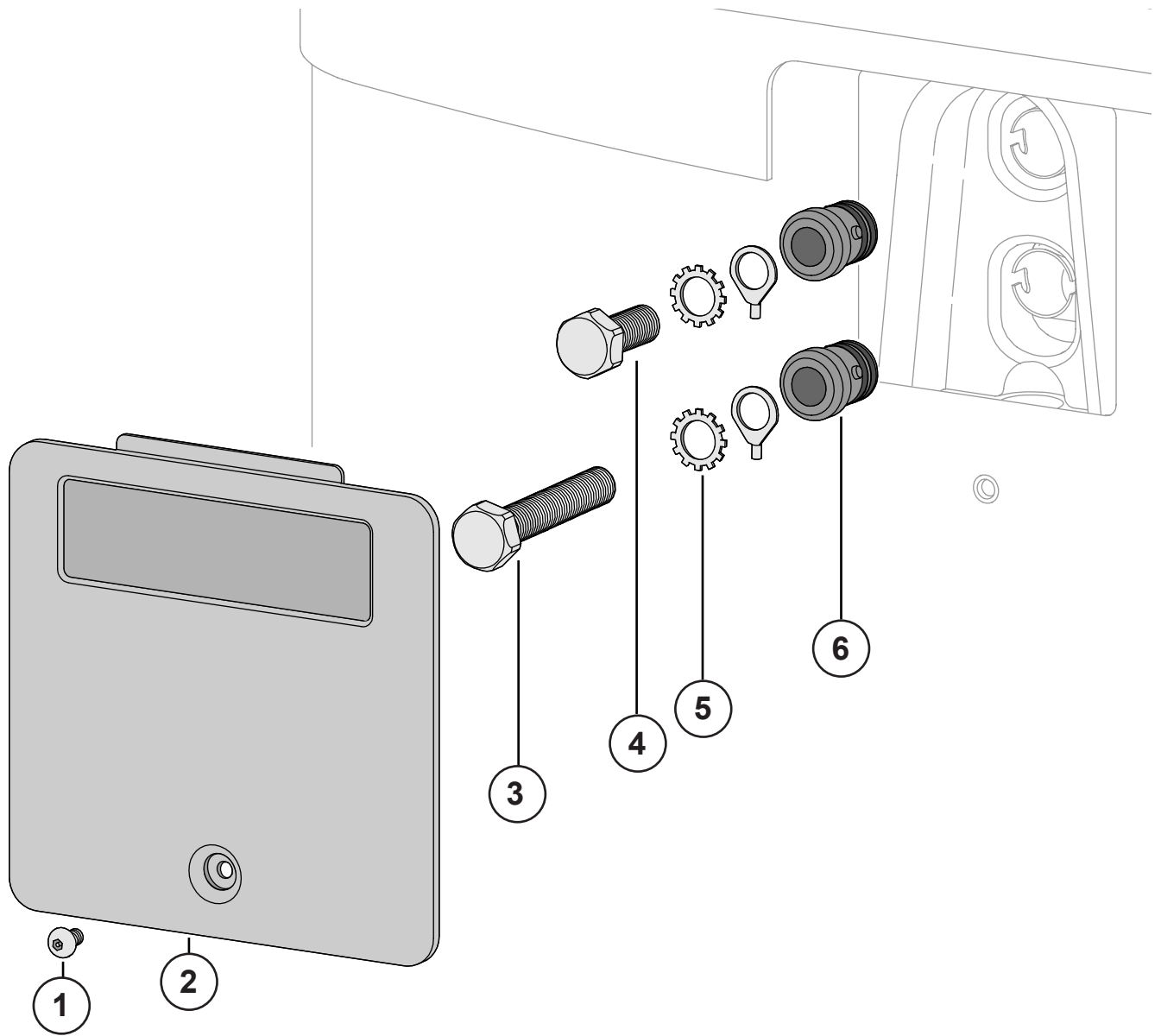
Key	Description	Part Number
35	Solenoid valve	7034184
36	Inlet flow control pipe assembly 7L/min (25L and 45L)	7034174
	Inlet flow control pipe assembly 12L/min (70L and 120L)	7034175
37	Inlet assembly 25L	7034171
	Inlet assembly 45L	7034172
	Inlet assembly 70L	7034217
	Inlet assembly 120L	7034173
38	Thermistor 25L wiring	7034200
	Thermistor 45L/70 wiring	7034201
	Thermistor 120L wiring	7034202
39	ECO sensor	7034199
40	Wiring loom 25L FBM	7034191
	Wiring loom 45L/70L FBM	7034192
	Wiring loom 120L FBM	7034193
41	BMS wiring loom 25L/45L/70L	7034197
	BMS wiring loom 120L	7034198

**Table 12: Spares list continued**

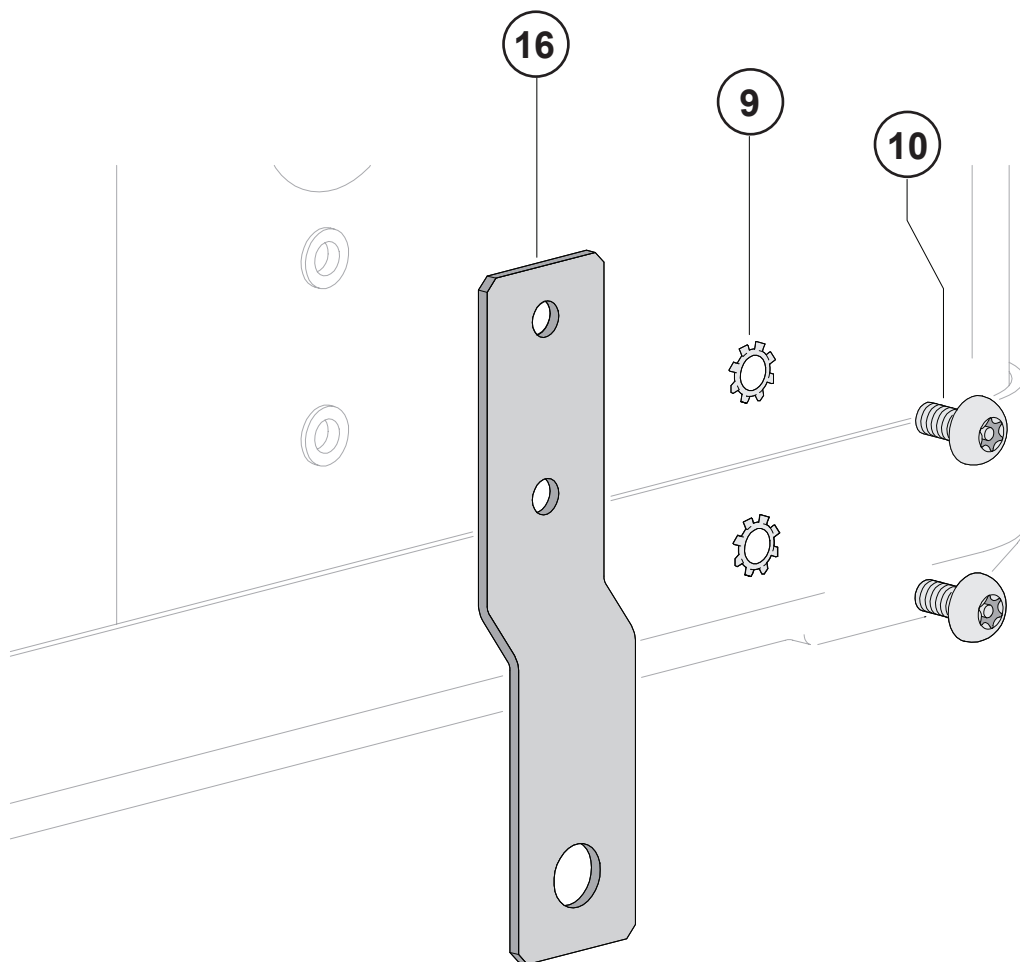
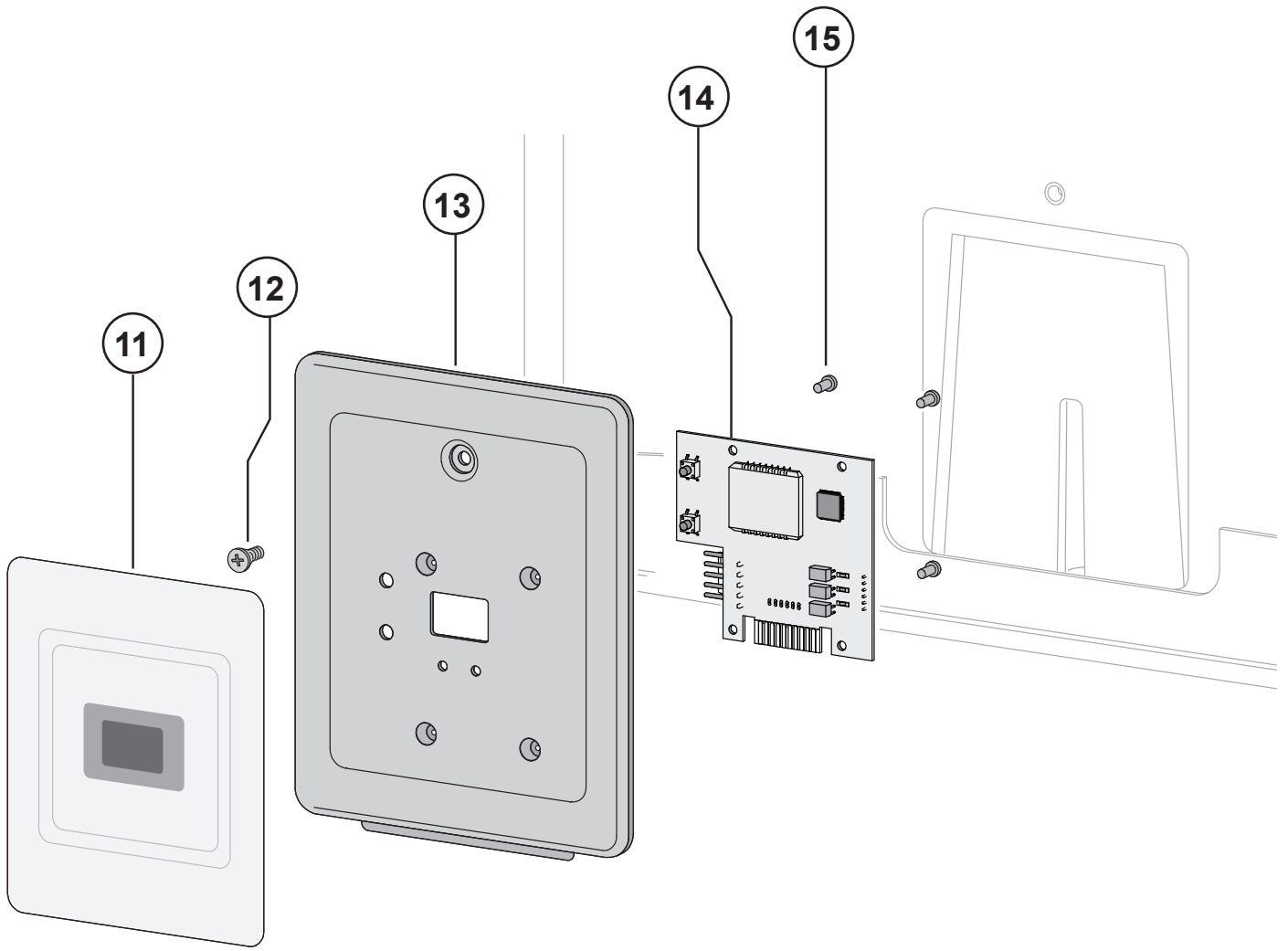
## 12.2 Accessories

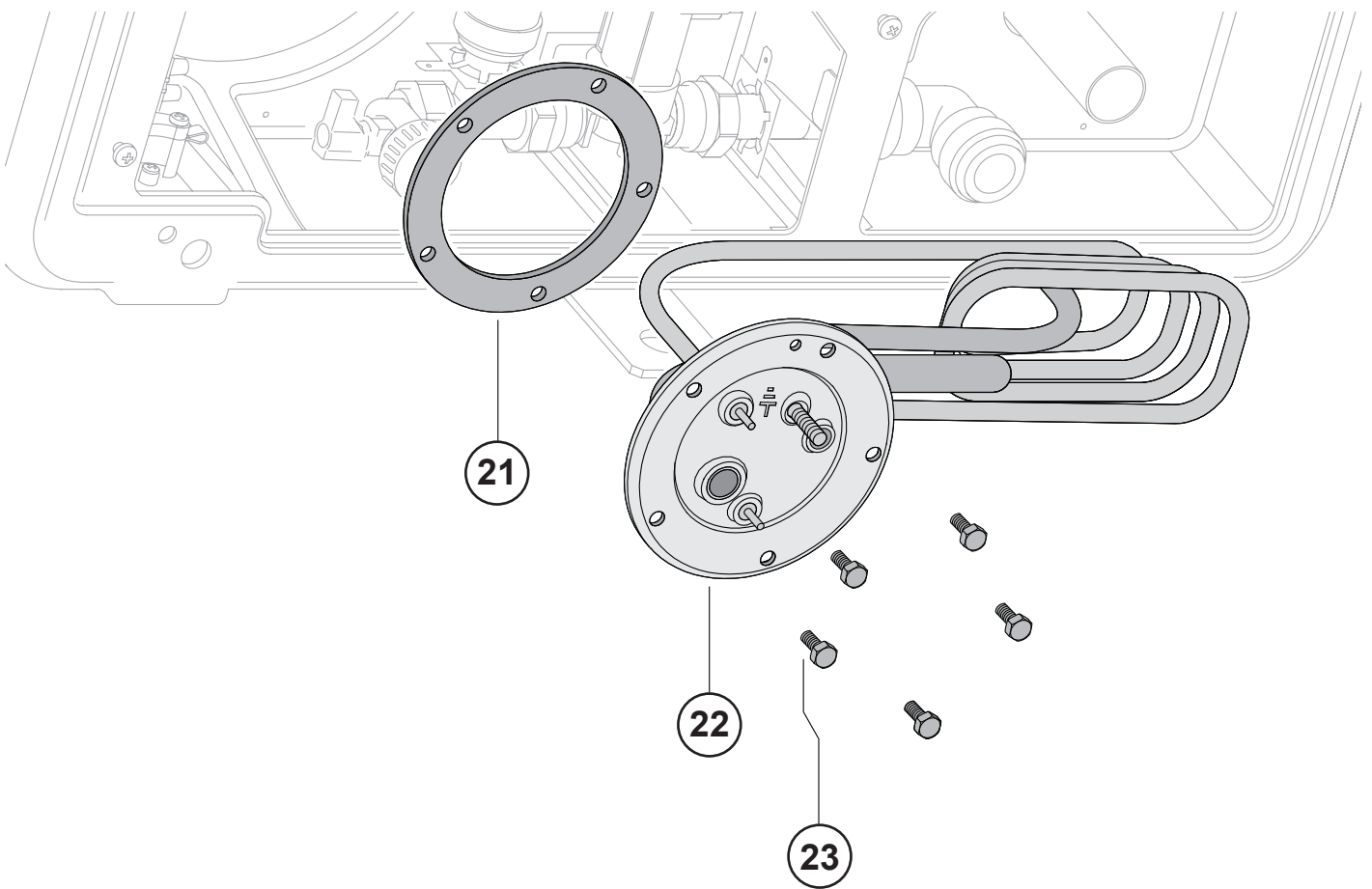
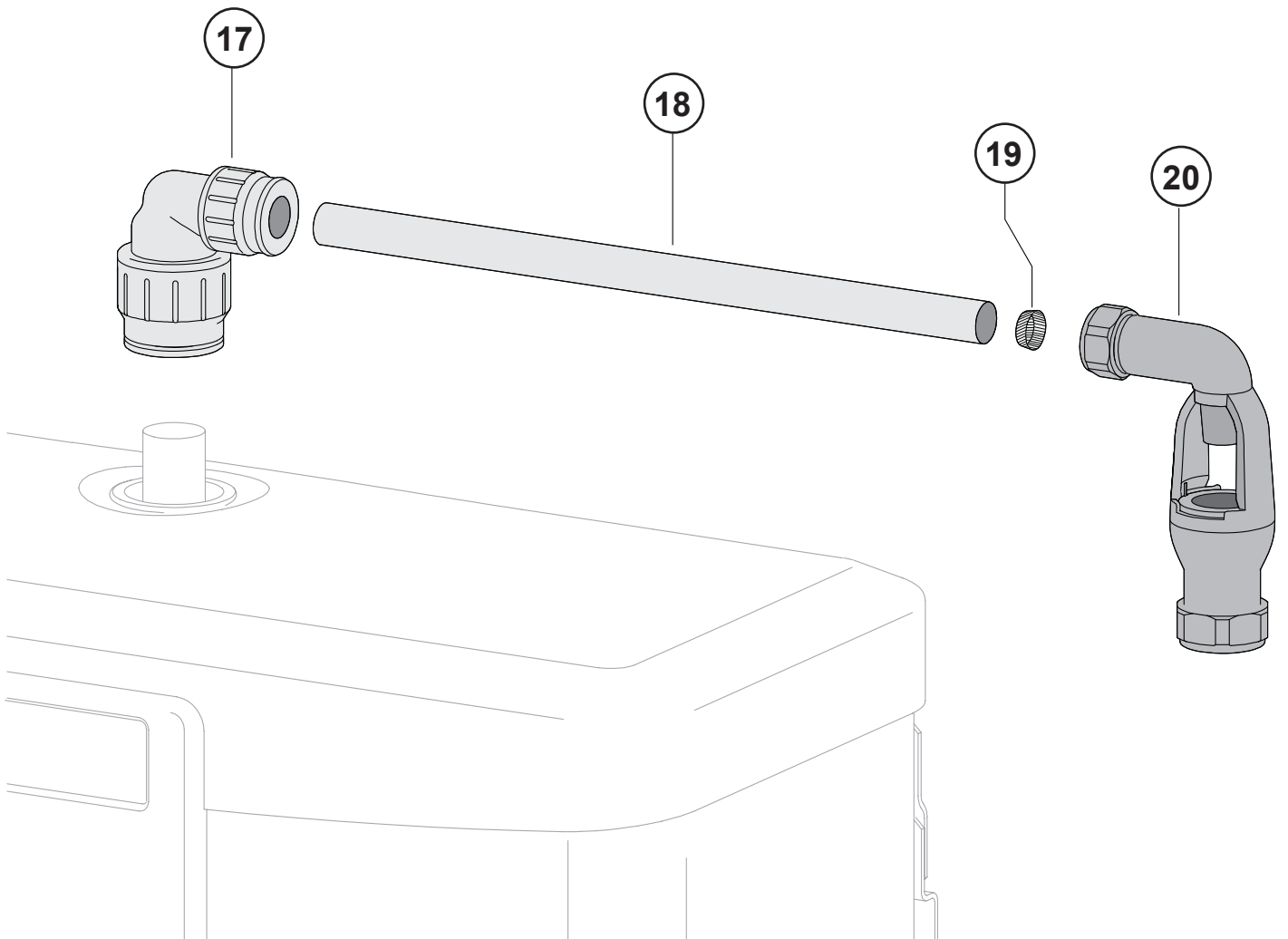
Description	Part Number
Pack CT1 - Water tempering kit (TMV2/3)	95970357
Pack CT2 - Pressure Reducing Valve kit	95970358

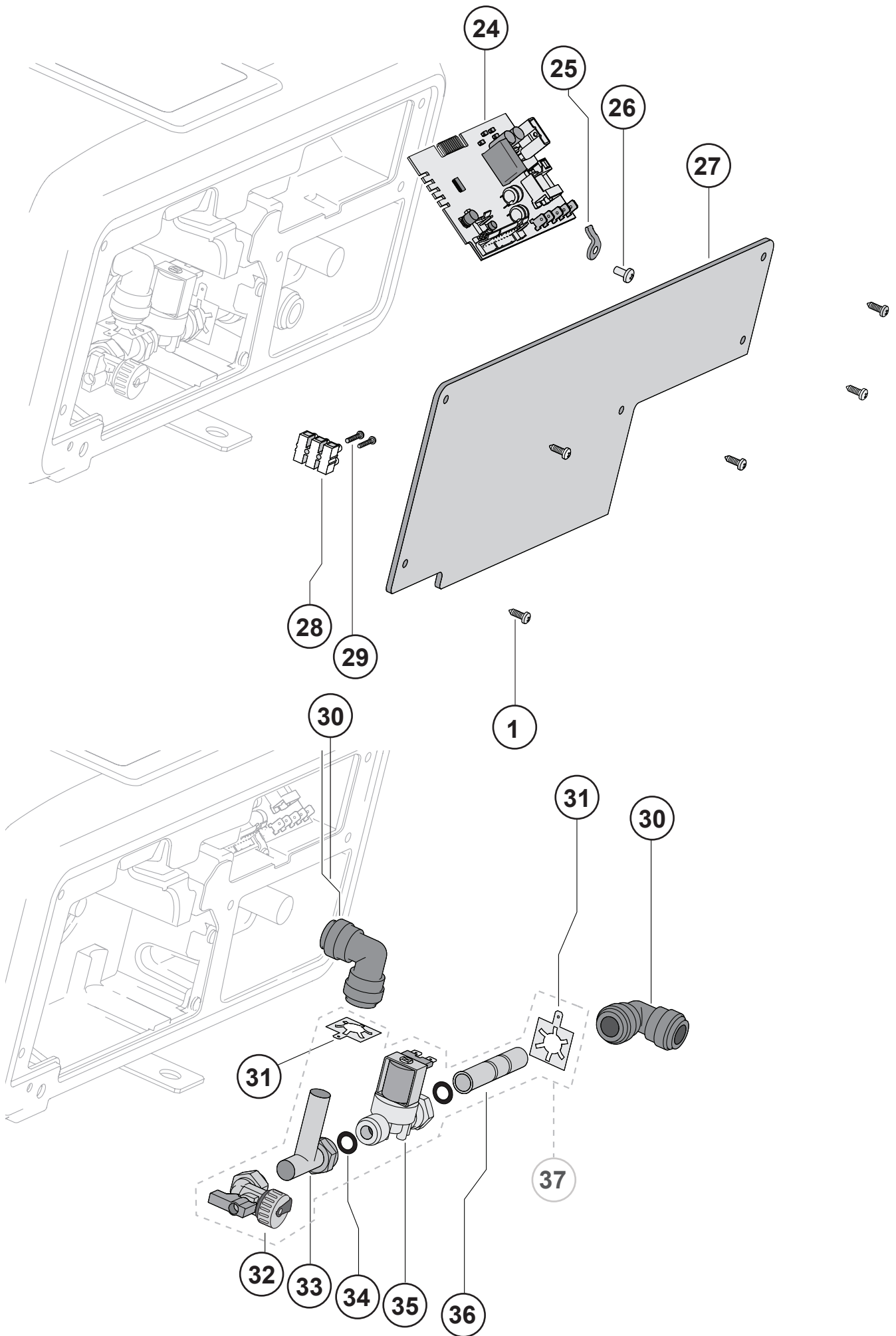
**Table 12: Accessories list**

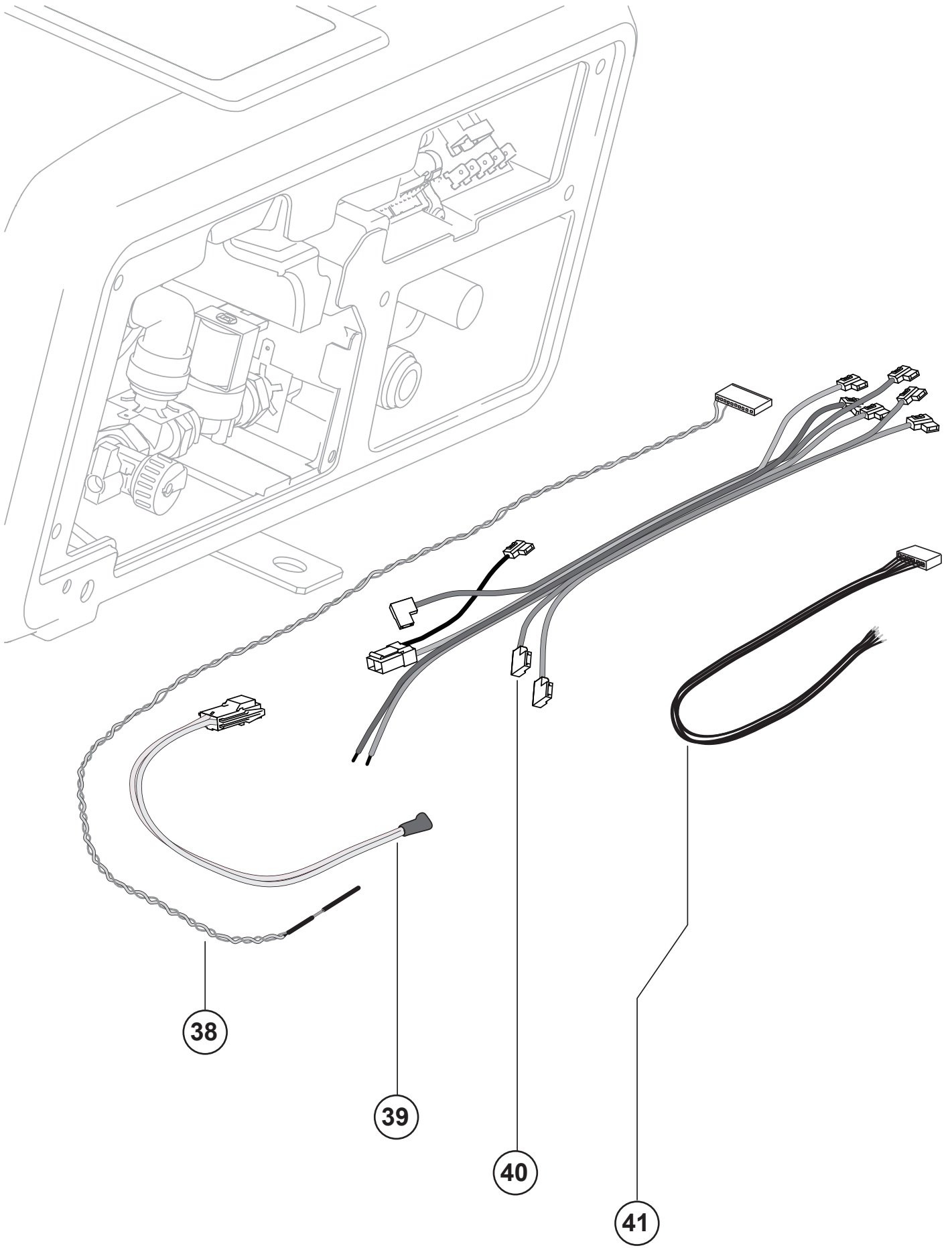












## 13. Warranty

Heatrae Sadia guarantees the Heatrae Sadia FBM ECO product against faulty manufacture or materials for a period of two years from the date of purchase including parts and labour. This two year warranty is extended to five years for the inner tank only.

These warranties are valid provided that:

The Heatrae Sadia FBM ECO product has been correctly installed by a competent installer and as per the instructions contained in the Product Guide and all relevant Codes of Practice and Regulations in force at the time of installation.

It has only been used for the storage of category 1 or 2 water, refer to water regulations.

The water heater is not guaranteed against damage by frost and excessive scale build up

The installed unit is not in areas where the water supply contains chloride levels exceed 250mg/L.

Within 60 days of installation the user completes and returns the certificate supplied along with the proof of purchase to register the product.

The Heatrae Sadia FBM ECO product has not been modified in any way other than by Heatrae Sadia or Heatrae Sadia approved engineers.

The Heatrae Sadia FBM ECO product has not been subjected to frost, scaling, nor has it been tampered with or been subjected to misuse or neglect.

No factory-fitted parts have been removed for unauthorised repair or replacement.

The Benchmark Commissioning Checklist and Service Record included in the Heatrae Sadia FBM ECO Product Guide has been completed.

Regular maintenance has been carried out by a competent person in accordance with the requirements set out in the maintenance section of the Product Guide and any replacement parts used should be authorised Heatrae Sadia spare parts.

Evidence of purchase and date of supply must be submitted upon making a claim.

This warranty is not valid for installations outside the United Kingdom.  
For installations outside of the United Kingdom, please contact the Heatrae Sadia Export Department on Tel: +44 1603 420271 for further details of the guarantee terms and conditions applicable.

This warranty does not affect your statutory rights.

## VENTED WATER HEATER COMMISSIONING CHECKLIST

This Commissioning Checklist is to be completed in full by the competent person who commissioned the vented water heater as a means of demonstrating compliance with the appropriate Building Regulations and then handed to the customer to keep for future reference.

Failure to install and commission according to the manufacturer's instructions and complete this Benchmark Commissioning Checklist will invalidate the warranty. This does not affect the customer's statutory rights.

Customer name:										Telephone number:									
Address:																			
Make and model:																			
Serial number:																			
Commissioned by (PRINT NAME):										Commissioning date:									
ID No:										Location:									
Company name:																			
Company address:																			
										Telephone number:									
<b>To be completed by the customer on receipt of a Building Regulations Compliance Certificate*</b>																			
subtitle?																		No	Yes
Is the breather pipe installed to BS6700?																			
What is the static head?																			metres
Is the installation in a hard water area (above 200ppm)?																			
If yes, has a water scale reducer been fitted?																			
What type of scale reducer has been fitted?																			
What is the hot water thermostat set temperature?																			° C
What is the hot water temperature at the nearest outlet?																			° C
All appropriate pipes have been insulated up to 1 metre or the point where they become concealed?																			
The hot water system complies with the appropriate Building Regulations?																			
Does the installation require any additional ventilation requirements as detailed in the manufacturer's instructions?																			
The system has been installed and commissioned in accordance with the manufacturer's instructions?																			
The system controls have been demonstrated to and understood by the customer?																			
The manufacturer's literature, including Benchmark Checklist and Service Record, has been explained and left with the customer?																			
Customer's Signature:										Commissioning Engineer's Signature:									
(To confirm satisfactory demonstration and receipt of manufacturer's literature)																			

\*All installations in England and Wales must be notified to be Local Authority Building Control (LABC) either directly or through a Competent Persons Scheme. A Building Regulations Compliance Certificate will then be issued to the customer.



## SERVICE RECORD

It is recommended that your vented water heater is serviced regularly and that the appropriate Service Interval Record is completed.

### Service Provider

Before completing the appropriate Service Record below, please ensure you have carried out the service as described in the manufacturer's instructions. Always use the manufacturer's specified spare part when replacing controls.

<b>SERVICE 01</b>	Date:	<b>SERVICE 02</b>	Date:
Engineer name:		Engineer name:	
Company name:		Company name:	
Telephone No:		Telephone No:	
Gas safe register No:		Gas safe register No:	
Comments:		Comments:	
Signature		Signature	

<b>SERVICE 03</b>	Date:	<b>SERVICE 04</b>	Date:
Engineer name:		Engineer name:	
Company name:		Company name:	
Telephone No:		Telephone No:	
Gas safe register No:		Gas safe register No:	
Comments:		Comments:	
Signature		Signature	

<b>SERVICE 05</b>	Date:	<b>SERVICE 06</b>	Date:
Engineer name:		Engineer name:	
Company name:		Company name:	
Telephone No:		Telephone No:	
Gas safe register No:		Gas safe register No:	
Comments:		Comments:	
Signature		Signature	

<b>SERVICE 07</b>	Date:	<b>SERVICE 08</b>	Date:
Engineer name:		Engineer name:	
Company name:		Company name:	
Telephone No:		Telephone No:	
Gas safe register No:		Gas safe register No:	
Comments:		Comments:	
Signature		Signature	

<b>SERVICE 09</b>	Date:	<b>SERVICE 10</b>	Date:
Engineer name:		Engineer name:	
Company name:		Company name:	
Telephone No:		Telephone No:	
Gas safe register No:		Gas safe register No:	
Comments:		Comments:	
Signature		Signature	

\*All installations in England and Wales must be notified to be Local Authority Building Control (LABC) either directly or through a Competent Persons Scheme. A Building Regulations Compliance Certificate will then be issued to the customer.



# HEATRAESADIA

SMARTER | CLEANER | WARMER

## Electric Water Heating Co.

2 Horsecroft Place  
Pinnacles  
Harlow  
Essex CM19 5BT  
Tel: 0845 0553811  
E-Mail: sales@ewh.co.uk

## SPD

Special Product Division  
Units 9 & 10  
Hexagon Business Centre  
Springfield Road  
Hayes  
Middlesex UB4 0TY  
Tel: 020 8606 3567

## Parts Center

Tel: 0344 292 7057  
www.partscenter.co.uk

## Newey & Eyre

Unit 3-5 Wassage Way  
Hampton Lovett Ind. Estate  
Droitwich, Worcestershire  
WR9 0NX  
Tel: 01905 791500  
Fax: 01905 791501

## UK Spares Ltd

Unit 1155  
Aztec West  
Almondsbury  
Bristol BS32 4TF  
Tel: 01454 620500

Alternatively contact your  
local supplying merchant  
or wholesale branch or use  
our online stockist finder at  
www.interpartspares.co.uk

Please follow us online:



## SPECIFICATION ADVICE HOTLINE

t | 01603 420220 e | specifier@heatraesadia.com

## AFTER SALES SERVICE

t | 0344 871 1535 e | customer.support@heatraesadia.com

w | [heatraesadia.com](http://heatraesadia.com)



## OUR NATIONWIDE NETWORK OF CUSTOMER SUPPORT ENGINEERS

Heatrae Sadia has its very own dedicated nationwide network of highly trained customer support engineers so you can have peace of mind that we're always here to help.

## PRODUCT RANGE

Full specification details on all our products are available to download from our website.

To support our corporate responsibility and sustainability charters and reduce our printed material we encourage you to download product brochures from our website.

In designing these files we have taken into account the need to access data on screen.

If you would like to receive a printed copy of our full product catalogue please call our literature hotline on 01603 420127.

Heatrae Sadia Heating may introduce modifications to their products from time to time. Consequently, the details given in this brochure are subject to alteration without notice.