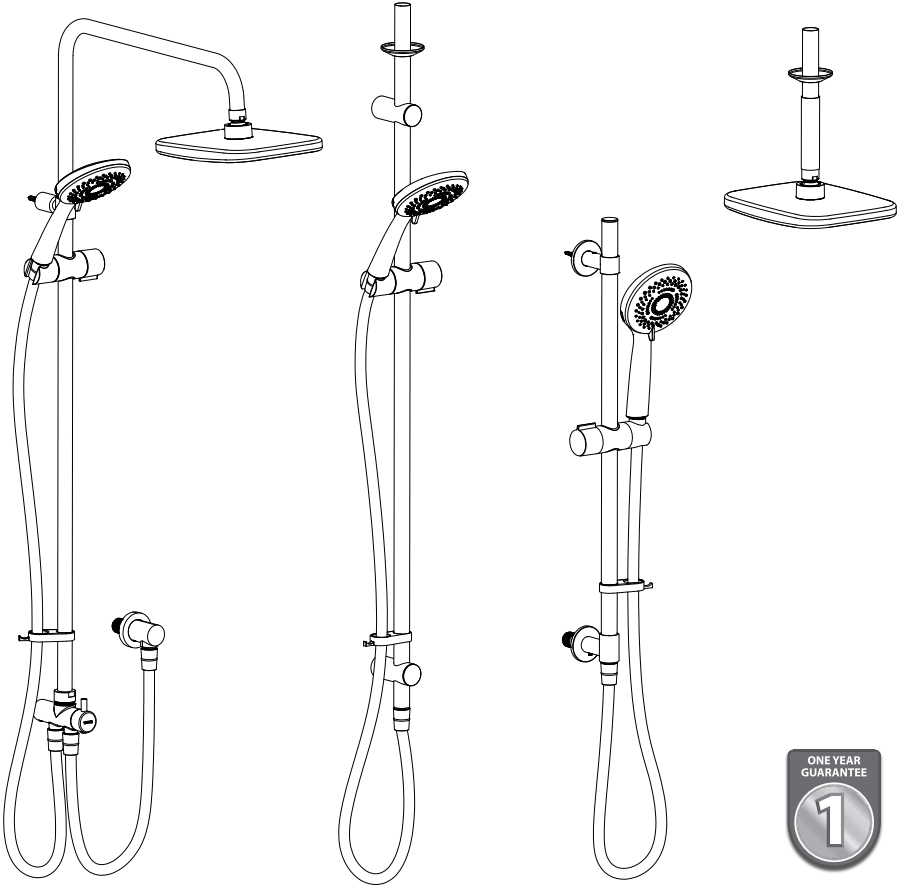




For a cleaner conscience

ENVI[®]

Next generation electric showers



Accessory Instructions

Please read this book thoroughly and familiarise yourself with all instructions before commencing installation.

Keep these instructions in a safe place for future reference.

CONTENTS

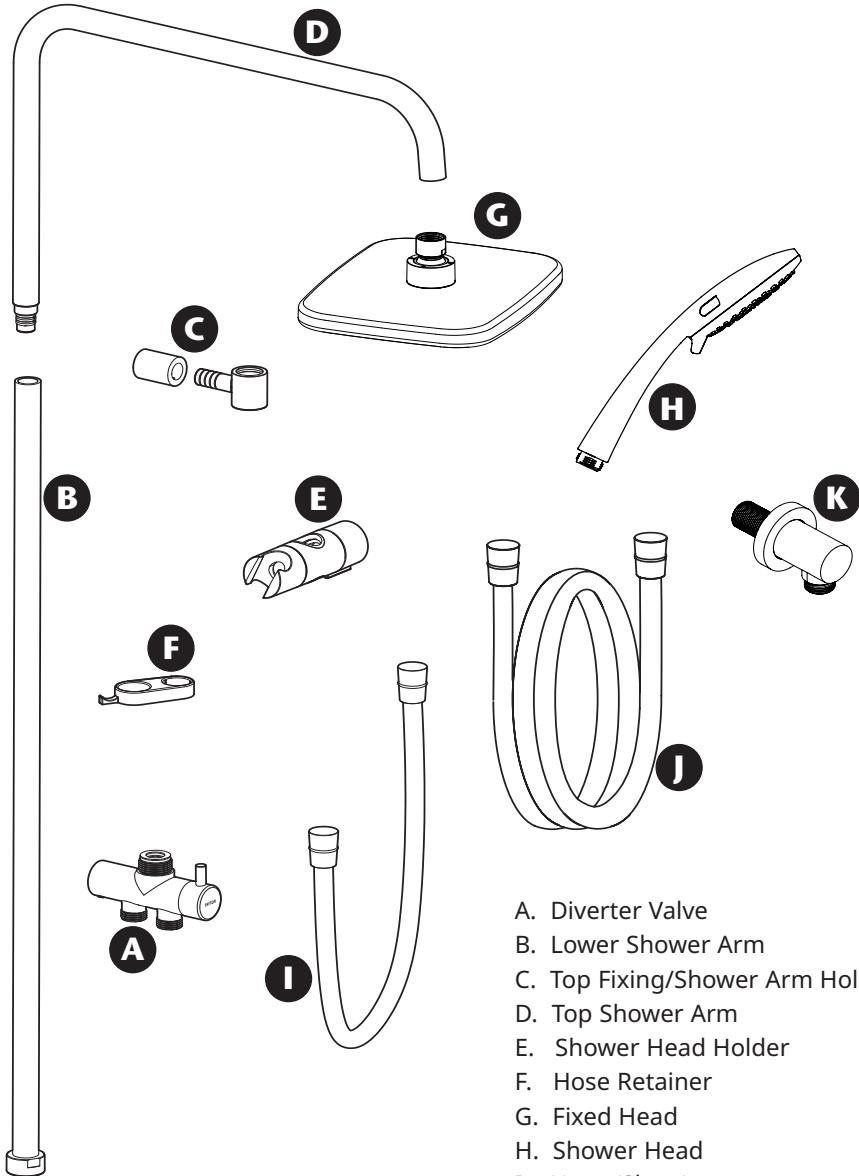
	Page
DuElec® Dual Outlet Kit Components	3
Single Outlet Ceiling Fed Kit Components	4
Single Outlet Wall Fed Kit Components	5
Single Outlet Fixed Head Kit Components	6
Bulkhead Components	7
General Installation	8
Installing DuElec® Dual Outlet Kit	9
Installing Single Outlet Ceiling Fed Kit	14
Installing Single Outlet Wall Fed Kit	21
Installing Single Outlet Fixed Head Kit	23

IMPORTANT SAFETY ADVICE

The shower heads and hoses supplied with this product are a safety critical part of your shower system. Failure to use genuine Triton parts may cause injury and invalidate your guarantee.

DUELEC® DUAL OUTLET KIT

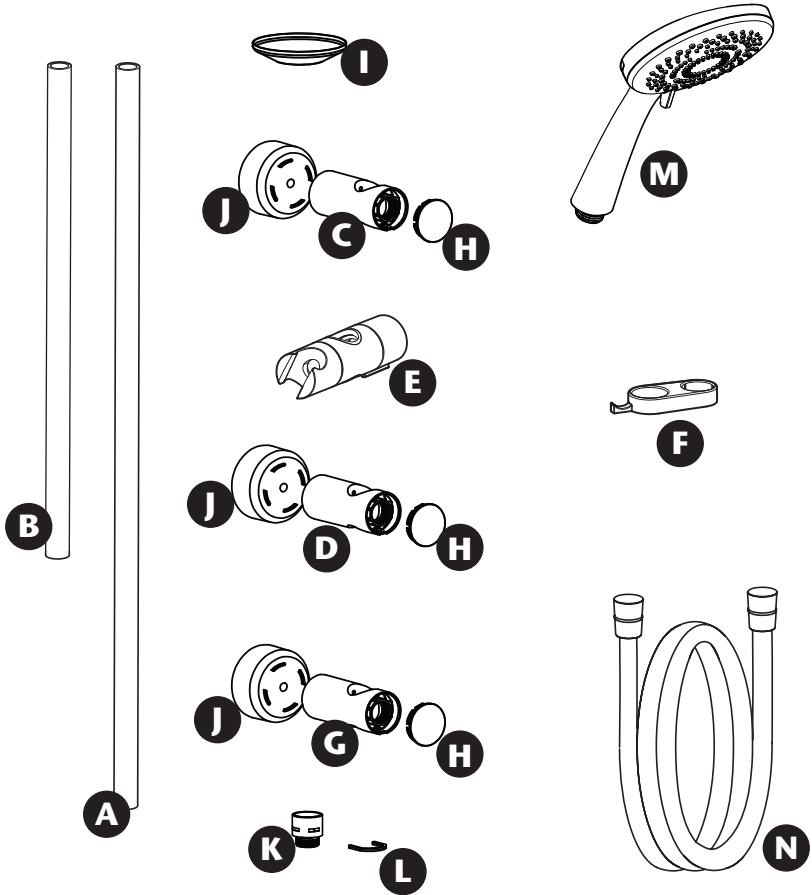
Main Components



- A. Diverter Valve
- B. Lower Shower Arm
- C. Top Fixing/Shower Arm Holder
- D. Top Shower Arm
- E. Shower Head Holder
- F. Hose Retainer
- G. Fixed Head
- H. Shower Head
- I. Hose (Short)
- J. Hose (long)
- K. Bulkhead

SINGLE OUTLET CEILING FED KIT

Main Components

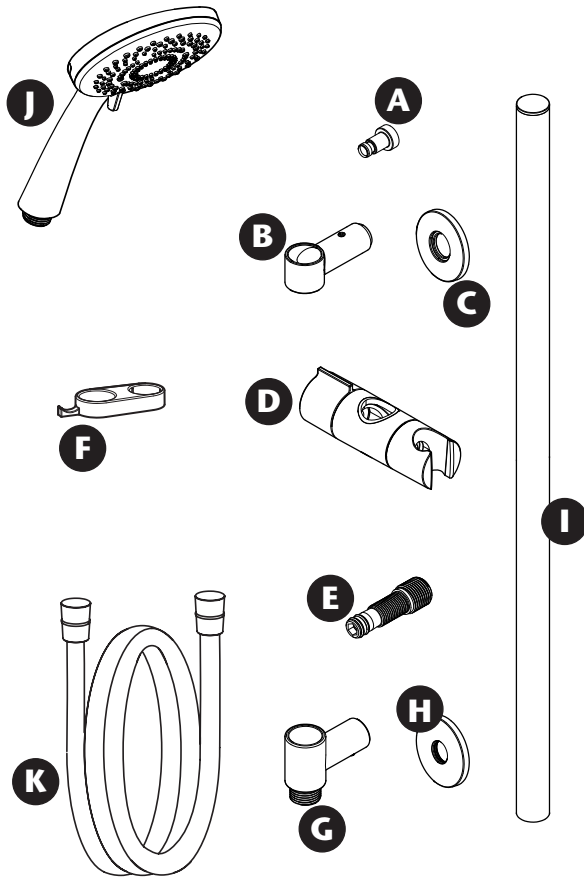


- A. 940mm Riser Rail Section
- B. 700mm Riser Rail Section
- C. Guide Bracket
- D. Bridging Bracket
- E. Shower Head Holder
- F. Hose Retainer

- G. Bottom Bracket
- H. Bracket End Trim
- I. Ceiling Trim
- J. Spacer (optional)
- K. Outlet Connector
- L. Securing Clip
- M. Shower Head
- N. Shower Hose

SINGLE OUTLET WALL FED KIT

Main Components



A. Top Wall Bracket

B. Top Bracket

C. Top Trim

D. Shower Head Holder

E. Adaptor

F. Hose Retainer

G. Bottom Bracket (water outlet)

H. Bottom Trim

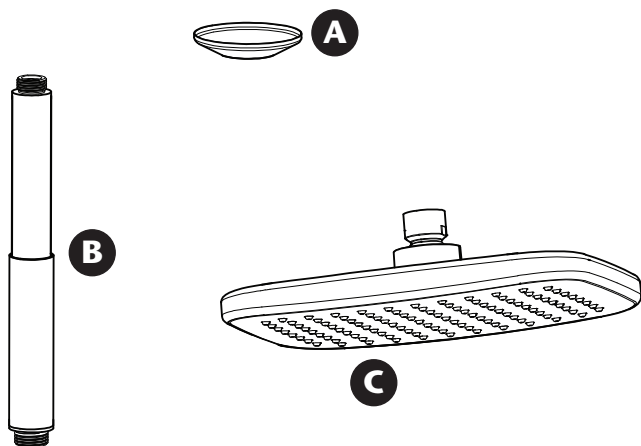
I. Riser Rail

J. Shower Head

K. Shower Hose

SINGLE OUTLET FIXED HEAD KIT

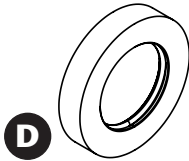
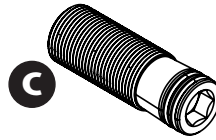
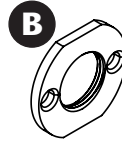
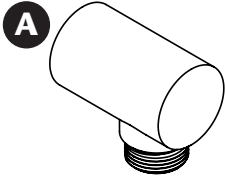
Main Components



- A. Ceiling Trim
- B. Ceiling Arm
- C. Fixed Head

BULKHEAD

Main Components



- A. Bulkhead
- B. Mounting Plate
- C. Adaptor
- D. Trim

GENERAL INSTALLATION

Please use this book in conjunction with the main installation guide supplied with your ENVi® shower.

Any riser rail kit or pipework **MUST** not be positioned where it will be subjected to freezing conditions.

The shower head holder can be orientated such that the shower head can be positioned either side of the riser rail or shower arm.

DO NOT position any shower head or fixed head in such a way that water is sprayed directly onto the ENVi® controller.

If installing a DuElec® diverter valve, ensure that the diverter valve is mounted within 350mm radius of the water outlet, this will ensure the short shower hose provided is able to be connected to the bulkhead provided without strains or kinks.

The edges of the riser rail are extremely sharp. Take care when handling and cutting the rails.

Check there are no hidden cables or pipes before drilling holes for wall plugs. Use great care when using power tools near water. The use of a Residual Current Device (RCD) is recommended.

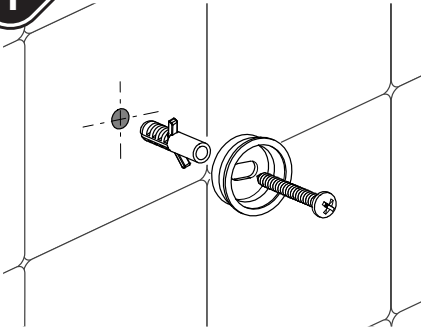
Before drilling holes in the ceiling or wall surface make sure there is enough clearance above the ceiling to accommodate the entry of any riser rail and heated water pipe.

The following requirements must be met for future servicing purposes:

- The Tri-HUB **MUST NOT** be covered with any form of insulating material that may give rise to electrical circuits overheating during periods of high ambient temperature.
- A safe means of access **MUST** be provided into the loft, e.g. via a fixed loft ladder.
- The Tri-HUB **MUST** be installed vertically in an accessible and safe location.
- Ceiling joists **MUST** be adequately boarded to provide safe and unobstructed access to, from and around the Tri-HUB.
- There **MUST** be adequate lighting in the loft for servicing purposes.

INSTALLING DUELEC® DUAL OUTLET KIT

Step 1



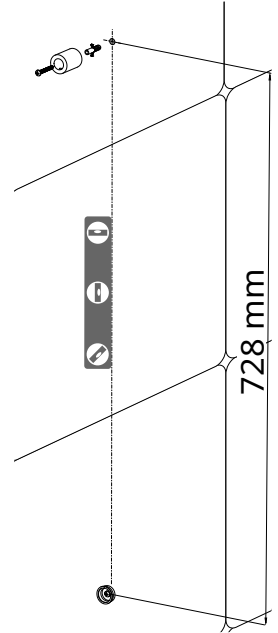
Mark the wall fixing position for the **Diverter Fixing Bracket** and drill and plug the wall. Ideally the hole should be positioned in the centre of a tile and not in the grouting.

Remove the **Diverter Fixing Bracket** from the **Diverter Valve** and secure it to the wall using the fixing screw.

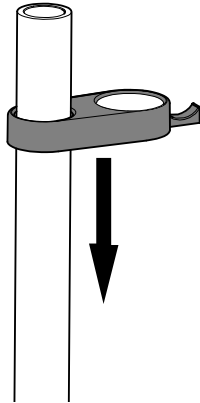
Step 2

Measure a distance of 728mm from the **Diverter Bracket**, ensuring centres are vertically aligned, and mark the position. Drill and plug the wall. Secure the **Shower Arm Fixing Bracket** to the wall using the fixing screw.

Ensure the grub screw is pointing downwards.

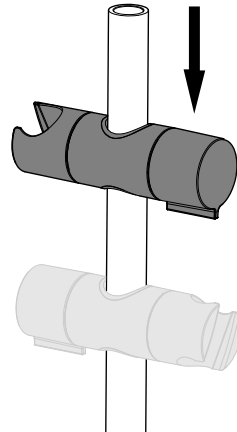


Step 3



Assemble the **Hose Retainer** onto the **Lower Shower Arm**.

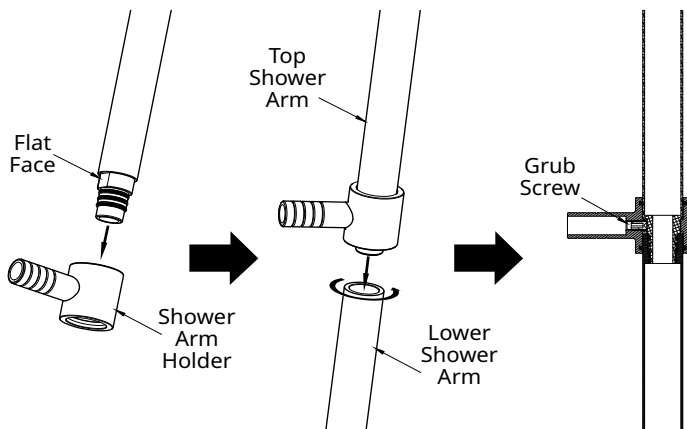
Step 4



Assemble the **Shower Head Holder** onto the **Lower Shower Arm**.

NOTE: The **Shower Head Holder** can be orientated such that the **Shower Head** can be positioned either side of the **Shower Arm**.

Step
5

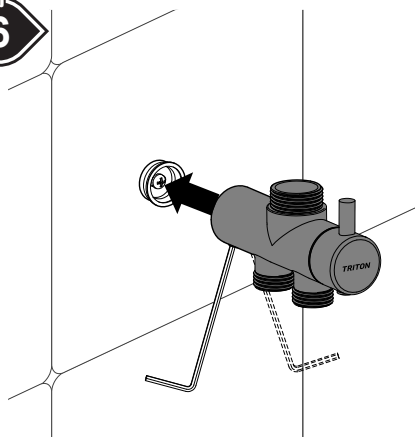


Assemble the **Top Shower Arm** into the **Shower Arm Holder**, note that the **Top Shower Arm** can only be assembled one way, so ensure that the flat faces of **Top Shower Arm** and **Shower Arm Holder** are aligned.

Assemble the **Lower Shower Arm** to **Top Shower Arm** by rotating the **Lower Shower Arm** on to the threaded spigot. Hand tight will be sufficient to seal the two together.

Finally tighten the grub screw (located inside the bore of the **Shower Arm Holder**) to lock the **Top Shower Arm** to **Shower Arm Holder**.

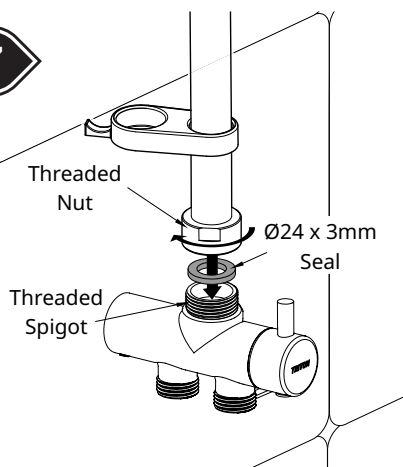
Step
6



Slide the **Diverter Valve** onto the **Valve Fixing Bracket** and tighten the 2 x grub screws on the underside of the **Diverter Valve**.

NOTE: Do not fully tighten the screws as some adjustment of the valve will be necessary when assembling the **Shower Arms**.

Step
7

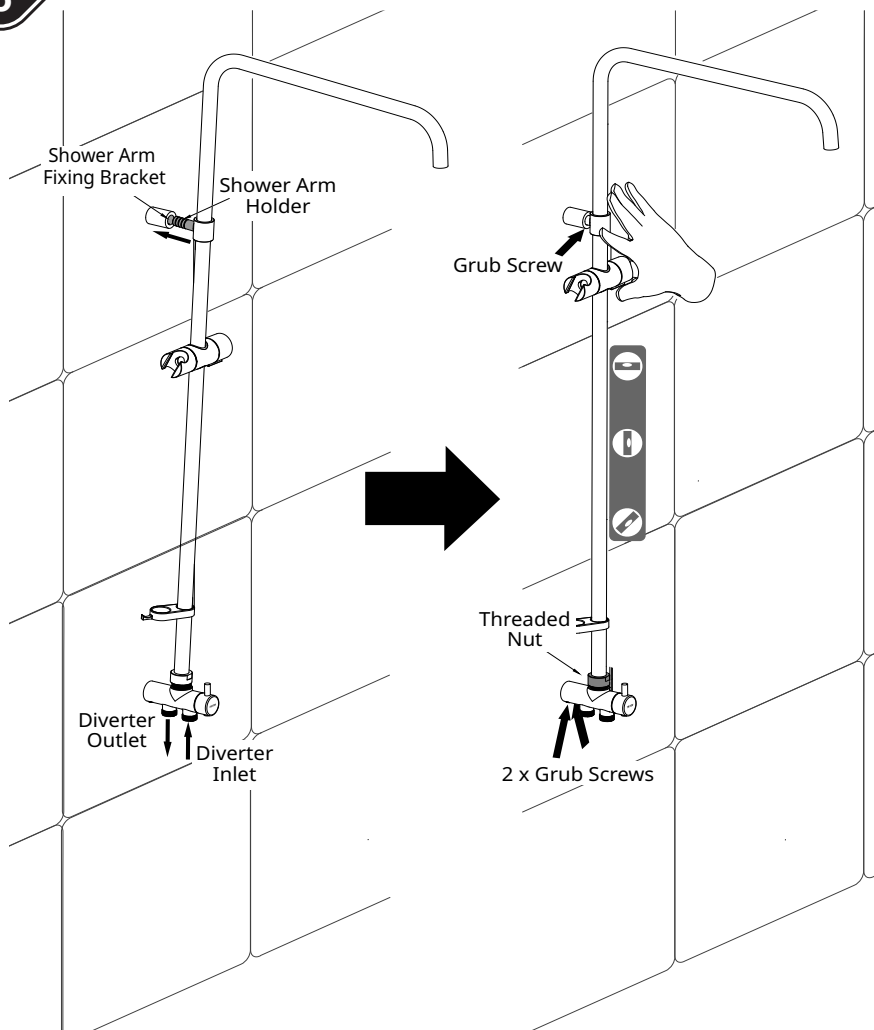


Position the $\text{Ø}24 \times 3\text{mm}$ rubber seal on top of the threaded **Diverter Valve** spigot.

Loosely tighten the threaded nut of the **Lower Shower Arm** onto the **Diverter Valve**.

DO NOT fully tighten the threaded nut at this stage.

Step
8

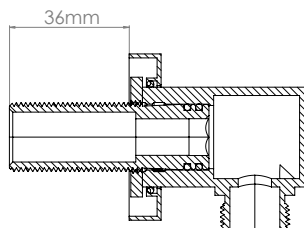
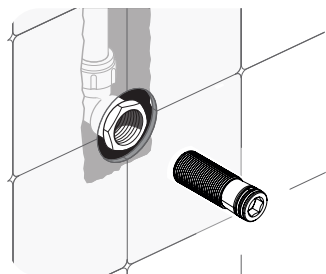


Pivoting the **Shower Arm** slightly away from the wall, slide the stem of the **Shower Arm Holder** into the **Shower Arm Fixing Bracket**.

Holding the **Shower Arms** in place, fully tighten the threaded nut on the **Diverter Valve**, ensuring that the **Shower Arms** are vertical.

Fully tighten the grub screw in the **Shower Arm Fixing Bracket**, and the 2 x grub screws on the underside of the **Diverter Valve**.

Step
9



Screw the **Bulkhead Adaptor** to the pipework. Add a bead of silicone sealant around the adaptor to ensure watertight.

The following are typical thicknesses and are given as a guide only:

Tile 6 - 10mm

Adhesive 2 - 3mm

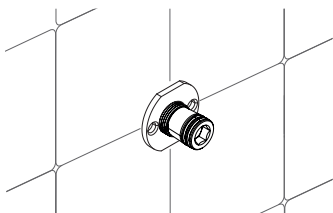
Plasterboard 9.5 - 12.5mm

Plaster finish 2 - 3mm

Maximum tile thickness to be 10mm.

When installing into a stud partition or other hollow wall structure, the installer may wish to consider building rear supports or other options for fitting the mounting plate. Such options are beyond the scope of this guide.

Step
10

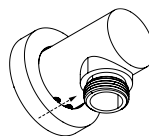


Screw the **Mounting Plate** to the **Adaptor**, ensuring it sits flush to the wall.

Screws (not supplied) can be used for additional support.

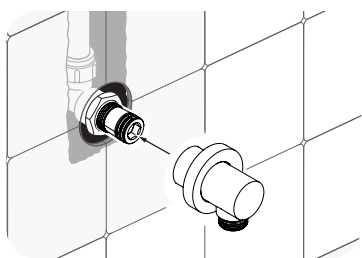
NOTE: Ensure screws are clear of pipework.

Step
11



Fit the **Trim** onto the **Bulkhead** body and push past the grub screws, then loosen the grub screws with the supplied allen key.

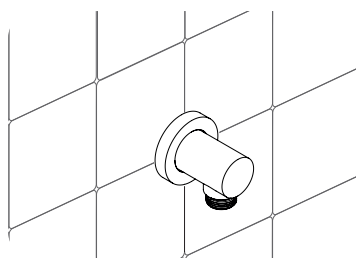
Step
12



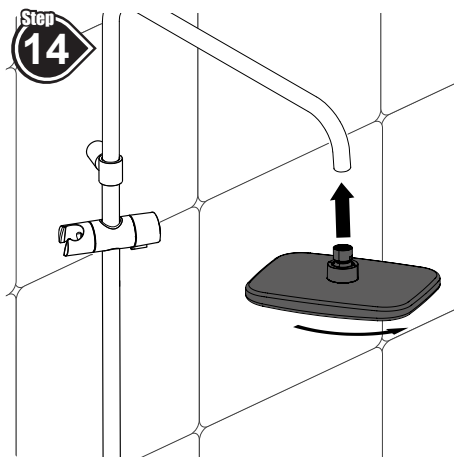
Fit the **Bulkhead** onto the **Adaptor** and retighten the grub screws.

NOTE: Seal around the adaptor to prevent water ingress into the wall cavity.

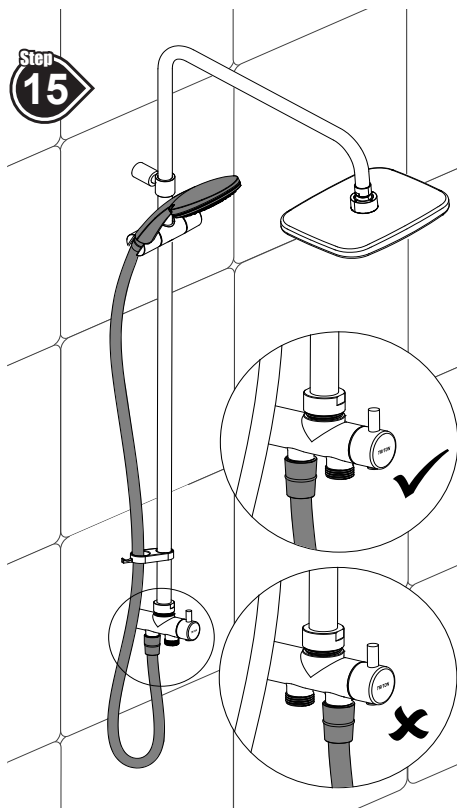
Step
13



Push the **Trim** flush to the wall.



Assemble the Fixed Head on to the Top Shower Arm.

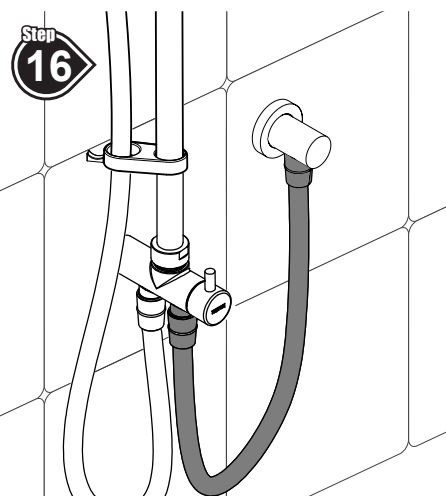


IMPORTANT

Ensure the Shower Head Hose is connected to the outlet (back) Diverter Valve connector, failure to do this may cause damage to your shower.

Feed the **Long Shower Hose** through the **Hose Retainer**, fit a hose seal into the conical nut and connect to the outlet of the **Diverter Valve**. At the other end of the hose, fit a hose seal into the conical nut and connect to the **Shower Head**.

Place **Shower Head** into the **Shower Head Holder**.

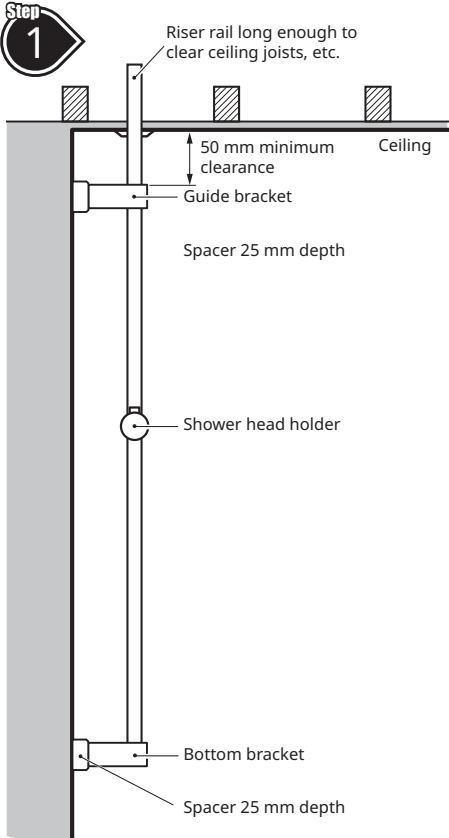


Take the **Short Hose** and fit a hose seal into the conical nut and connect to the **Bulkhead**, fit a hose seal into the conical nut at the other end of the hose and connect to the inlet of the **Diverter Valve**.

IMPORTANT - Remove the Shower Head and Fixed Head until the ENVi® Shower System has been commissioned.

INSTALLING SINGLE OUTLET CEILING FED KIT

Option 1 - Installing with 940mm riser rail only



Allow a minimum distance of 50mm between the ceiling and the **Guide Bracket**. Make sure there is sufficient length of **Riser Rail** above the ceiling level to overcome any obstructions to running the water pipe down the **Riser Rail**, such as the height of the ceiling joist.

NOTE: The spacers supplied provide an additional 25mm of depth for the riser rail installation to avoid hitting a loft ceiling joist.

Assemble the **Bottom Bracket** and **Guide Bracket** onto the 940mm **Riser Rail**. Make sure the rail engages fully into the brackets. Hold the **Riser Rail** assembly up to the wall and align vertically to determine the height of the **Shower Head** and **Control Panel** when installed.

Mark the position for the **Guide Bracket**. Remove the assembly then drill and plug the wall.

Secure the **Guide Bracket** (and spacer if used) to the wall.

Step 2 Slide the **Riser Rail** up through the **Guide Bracket** until it touches the ceiling.

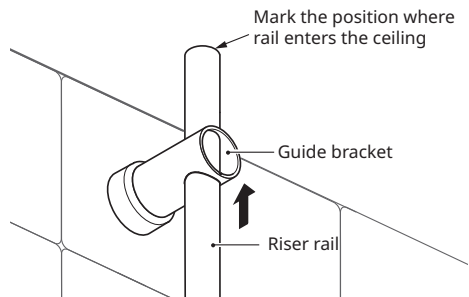
Using a spirit level, align the **Riser Rail** vertically and mark the centre hole position of the rail on the ceiling.

Using a 26mm hole cutter, drill the ceiling opening.

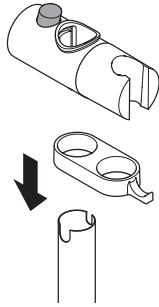
Fit the **Riser Rail** into the **Bottom Bracket** and secure with the small screw supplied.

Feed the **Riser Rail** assembly through the **Guide Bracket** and into the ceiling opening. Using a spirit level, align the **Riser Rail** vertically and mark the **Bottom Bracket** centre hole position. Remove the assembly then drill and plug the wall.

Remember to add the extra length of rail onto the measurements to clear any obstructions above the ceiling level.

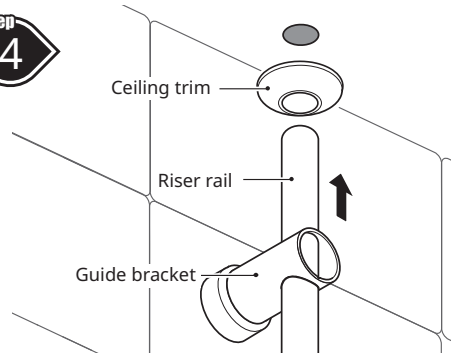


Step
3



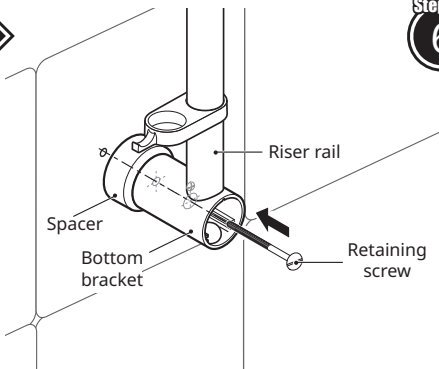
Slide the **Hose Retainer** and then the **Shower Head Holder** onto the **Riser Rail** — press and hold the button on top of the holder to release the locking mechanism, then slide onto the rail.

Step
4



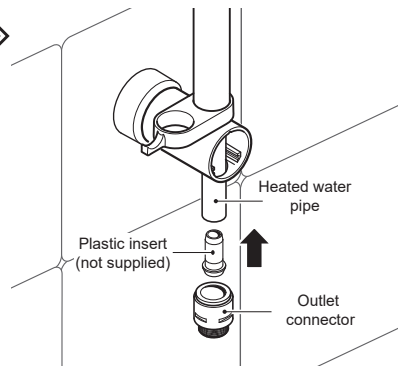
Fit the **Riser Rail** through the **Guide Bracket**. Slide the **Ceiling Trim** over the **Riser Rail** and feed the **Riser Rail** into the ceiling opening.

Step
5

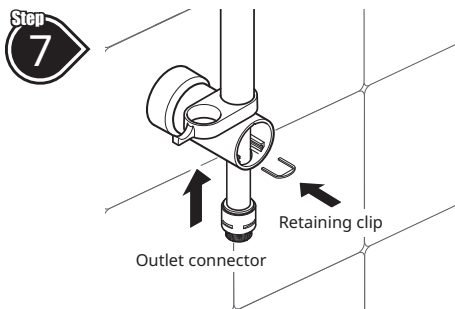


Secure the **Riser Rail** and **Bottom Bracket** assembly to the wall using the supplied screw.

Step
6

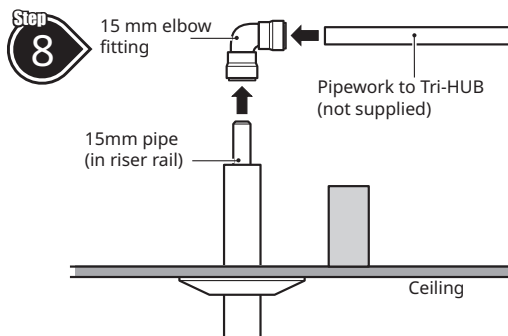


Feed a length of 15mm pipe (not supplied) up the centre of the **Riser Rail**, ensuring that the pipe protrudes enough to make plumbing connection in the loft. Push fit the **Outlet Connector** onto the pipe.



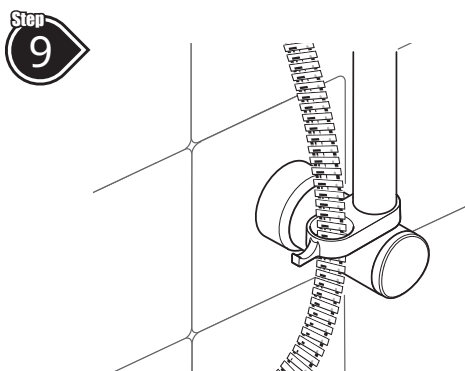
Feed the 15mm pipe and connector back up the **Riser Rail** and secure the **Outlet Connector** with the **Retaining Clip**.

Fit the **Bracket End Trims** onto the **Brackets**.



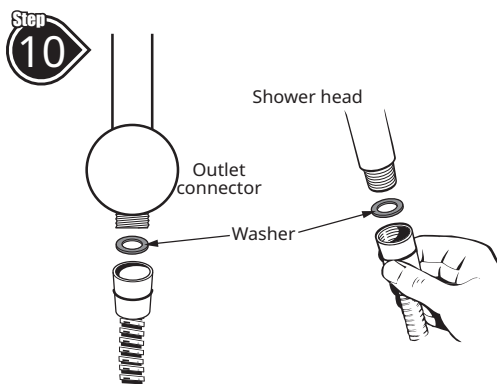
In the loft, trim any excess length of the 15mm pipe.

Using a 15mm elbow fitting, make the connection to the pipe from the Tri-HUB outlet.



Feed the **Shower Hose** through the **Hose Retainer** so that it acts as a retaining ring.

(This must be done to comply with Water Regulations).



Screw the **Shower Hose** to the **Outlet Connector** and the other end to the **Shower Head**.

Make sure the supplied washers are in place at both ends of the **Shower Hose**.

Place the **Shower Head** into the **Shower Head Holder** and check that it fits correctly.

NOTE: The holder is slightly tapered and the shower head and hose will only fit from one direction. It is the conical end of the hose which grips into the holder. The shower head will not fit in the holder without the hose attached.

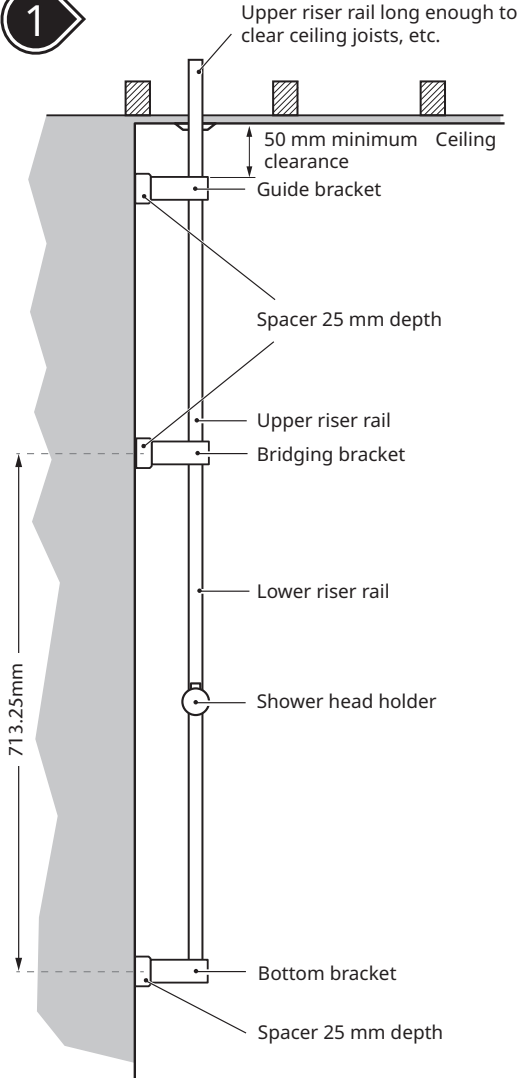
IMPORTANT - Remove the Shower Head until the ENVi® Shower System has been commissioned.

INSTALLING SINGLE OUTLET CEILING FED KIT

Option 2 - Installing with 940mm & 700mm riser rails

KIT

Step 1



The 940mm & 700mm **Riser Rails** are supplied to cater for differing layouts and ceiling heights. It may be necessary to shorten one of the rail sections using a suitable hacksaw or pipe cutter.

Allow a minimum distance of 50mm between the ceiling and the **Guide Bracket**. Make sure there is sufficient length of **Riser Rail** above the ceiling level to overcome any obstructions to running the water pipe down the **Riser Rail**, such as the height of the ceiling joist.

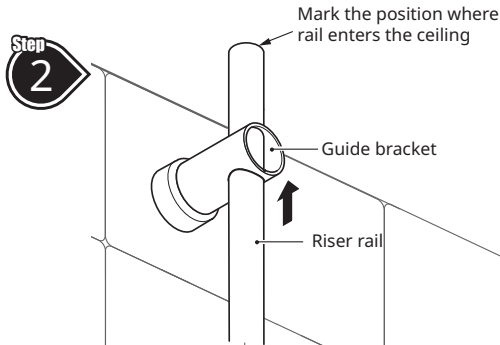
NOTE: The spacers supplied provide an additional 25mm of depth for the riser rail installation to avoid hitting a loft ceiling joist.

Assemble the **Bottom Bracket** and **Bridging Bracket** onto the 700mm **Riser Rail**. Make sure the rail engages fully into the brackets.

Hold the **Riser Rail** assembly up to the wall and align vertically to determine the height of the **Shower Head** and **Control Panel** when installed.

Mark the position for the **Bridging Bracket**. Remove the assembly then drill and plug the wall.

Temporarily secure the **Guide Bracket** (and spacer if used) to **Bridging Bracket** fixing point.

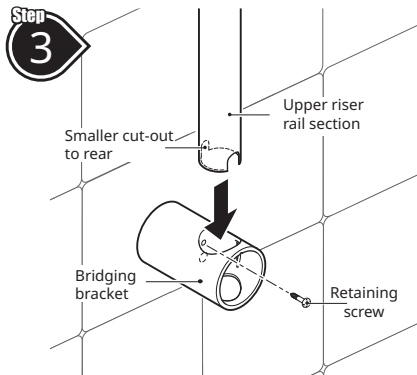


Slide the **Riser Rail** up through the **Guide Bracket** until it touches the ceiling.

Using a spirit level, align the **Riser Rail** vertically and mark the centre hole position of the rail on the ceiling.

Using a 26mm hole cutter, drill the ceiling opening.

Fit the **Bridging Bracket** (and spacer if used) to the wall using the screw supplied, making sure the small lug inside the bracket faces down.



Measure the 940mm rail (for the upper section of rail) and mark the required length to fit between the **Bridging Bracket** and into the ceiling.

Remember to add the extra length of rail onto the measurements to clear any obstructions above the ceiling level.

Cut the **Riser Rail** to length and deburr.

If the upper rail section is sufficiently long, fix the **Guide Bracket** (and spacer if used) onto the wall for additional support.

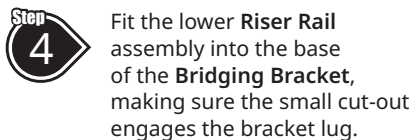
Feed the cut upper riser rail through the **Guide Bracket** before sliding the **Ceiling Trim** down onto the rail.

Slide the **Riser Rail** into the ceiling opening and drop back into the **Bridging Bracket**, with the smaller of the cut-outs facing towards the rear.

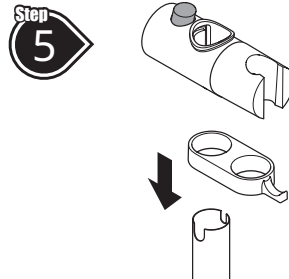
Secure the **Riser Rail** to the **Bridging Bracket** using the supplied retaining screw.

Slide the **Ceiling Trim** up to the ceiling.

Fit the 700mm **Riser Rail** into the **Bottom Bracket** with the smaller cut-outs facing towards the rear and secure with the retaining screw.

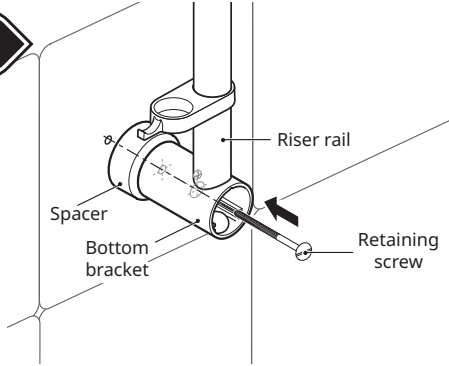


Using a spirit level, align the **Riser Rail** vertically and mark the **Bottom Bracket** centre hole position. Remove the assembly and drill and plug the wall.



Slide the **Hose Retainer** and then the **Shower Head Holder** onto the **Riser Rail** — press and hold the button on top of the holder to release the locking mechanism, then slide onto the rail.

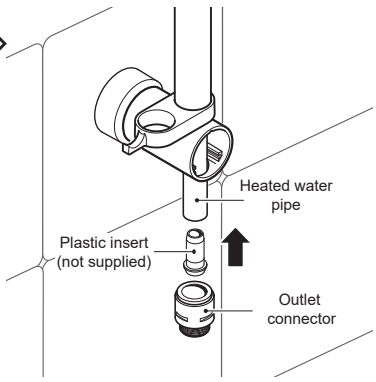
Step 6



Refit the lower **Riser Rail** assembly into the base of the **Bridging Bracket**, again making sure the small cut-out engages the bracket lug.

Secure the **Riser Rail** and **Bottom Bracket** assembly to the wall using the supplied screw.

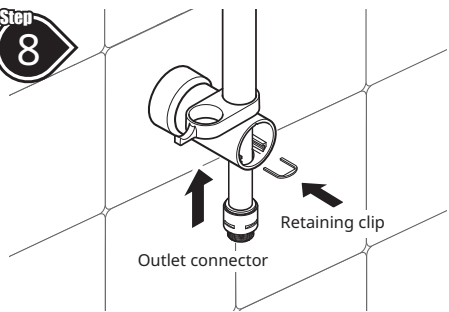
Step 7



Feed a length of 15mm pipe (not supplied) up the centre of the **Riser Rail**, ensuring that the pipe protrudes enough to make plumbing connection in the loft

Push fit the **Outlet Connector** onto the pipe.

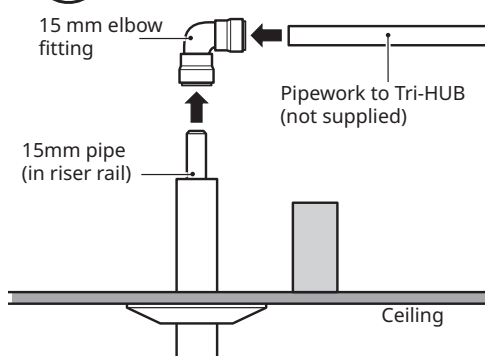
Step 8



Feed the 15mm pipe and connector back up the **Riser Rail** and secure the **Outlet Connector** with the **Retaining Clip**.

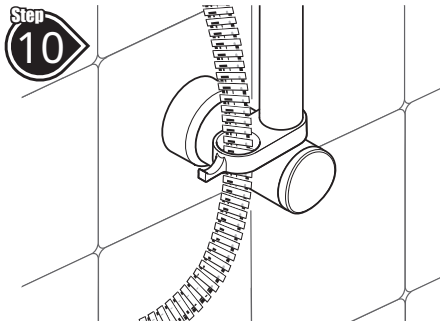
Fit the **Bracket End Trims** onto the **Brackets**.

Step 9

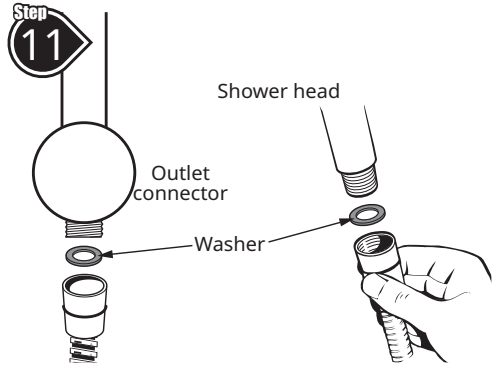


In the loft, trim any excess length of the 15mm pipe.

Using a 15mm elbow fitting, make the connection to the pipe from the Tri-HUB outlet.



Feed the **Shower Hose** through the **Hose Retainer** so that it acts as a retaining ring.
(This must be done to comply with Water Regulations).



Screw the **Shower Hose** to the **Outlet Connector** and the other end to the **Shower Head**.

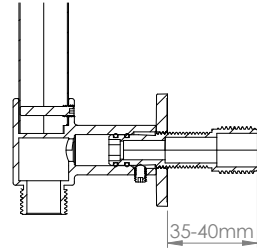
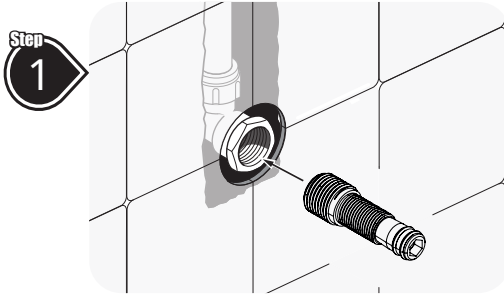
Make sure the supplied washers are in place at both ends of the **Shower Hose**.

Place the **Shower Head** into the **Shower Head Holder** and check that it fits correctly.

NOTE: The holder is slightly tapered and the shower head and hose will only fit from one direction. It is the conical end of the **Shower Hose** which grips into the **Shower Head Holder**. The **Shower Head** will not fit in the **Shower Head Holder** without the **Shower Hose** attached.

IMPORTANT - Remove the Shower Head until the ENVi® Shower System has been commissioned.

INSTALLING SINGLE OUTLET WALL FED KIT



Screw the **Adaptor** to pipework.

The following are typical thicknesses and are given as a guide only:

Tile 6 - 10mm

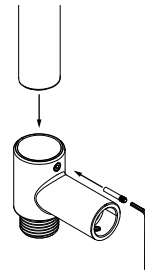
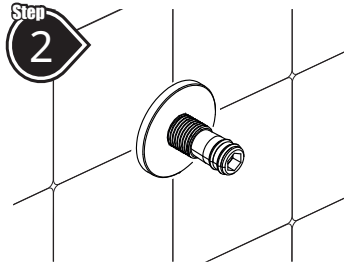
Adhesive 2 - 3mm

Plasterboard 9.5 - 12.5mm

Plaster finish 2 - 3mm

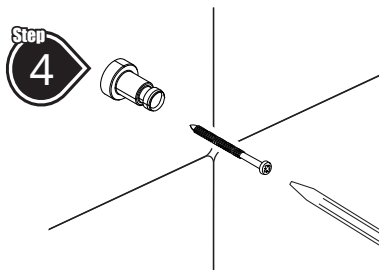
Maximum tile thickness to be 10mm.

When installing into a stud partition or other hollow wall structure, the installer may wish to consider building rear supports or other options for fitting the mounting plate. Such options are beyond the scope of this guide.



Screw the **Bottom Trim** on to the adaptor so that it sits flush to the wall.

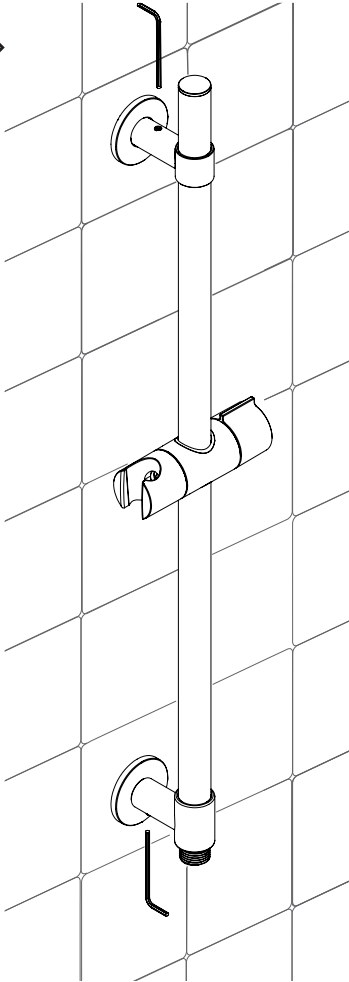
Place the **Riser Rail** into the **Bottom Bracket** (water outlet) and align the holes. Insert the pin and tighten with the supplied allen key.



Slide the **Hose Retainer**, **Shower Head Holder** and then the **Top Bracket** on to the **Riser Rail**, offer the **Riser Rail** up to the wall, align vertically and mark the screw hole.

Remove the **Riser Rail**, drill and plug the wall. Using the supplied screw, secure the **Top Wall Bracket** in place.

Step
5



Place the **Top Trim** over the **Top Wall Bracket** so that it sits flush to the wall.

Offer the assembled **Riser Rail** back up to the wall and secure in place using the allen key.

Screw the **Shower Hose** to the **Outlet Connector** and the other end to the **Shower Head**.

Make sure the supplied washers are in place at both ends of the **Shower Hose**.

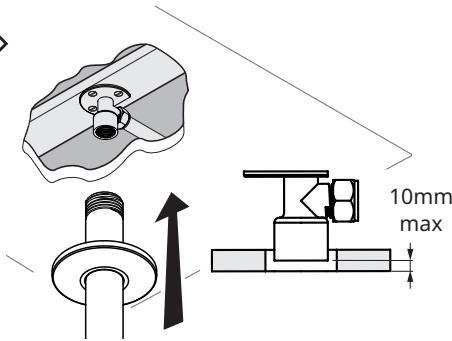
Place the **Shower Head** into the **Shower Head Holder** and check that it fits correctly.

NOTE: The holder is slightly tapered and the shower head and hose will only fit from one direction. It is the conical end of the **Shower Hose** which grips into the **Shower Head Holder**. The **Shower Head** will not fit in the **Shower Head Holder** without the **Shower Hose** attached.

IMPORTANT - Remove the Shower Head until the ENVi[®] Shower System has been commissioned.

INSTALLING SINGLE OUTLET FIXED HEAD KIT

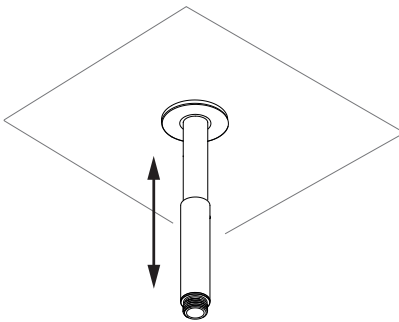
Step 1



Install a wall plate elbow or suitable alternative with a minimum of 3 fixing screws, ensuring that the flush fitting pipework has suitable support.

NOTE: It is not advisable to fix the arm through the plasterboard alone, please consider a strong rear support. A maximum guide dimension of 10mm is given from the rear of the adaptor to the face of the exterior ceiling.

Step 2



When the pipework fitting is secure and the ceiling is made good, carefully screw the **Ceiling Arm** onto the fitting.

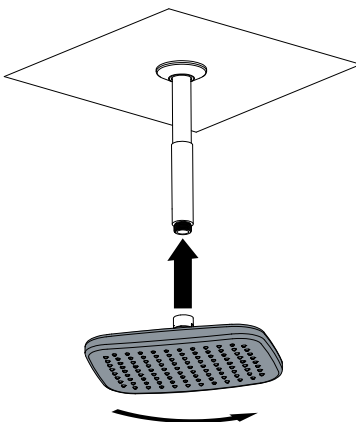
Adjust length of ceiling arm to suit. Tighten grub screw with suitable hexagonal wrench.

Use of PTFE tape on the ceiling arm threads is advised to ensure a seal.

Check the installation is leak tight.

IMPORTANT - DO NOT assemble the Fixed Head until the ENVi® Shower System has been commissioned.

Step 3



Assemble the **Fixed Head** on to the **Ceiling Arm**.

Replacement Accessories

Visit tritonshowers.co.uk/accessories
to find genuine Triton shower accessories.

ENVi[®] Support

Visit tritonshowers.co.uk/envisupport
or scan the **QR code** below for instant
access to ENVi[®] Product Support.



Triton Showers
Triton Road
Nuneaton
Warwickshire CV11 4NR

Customer Experience: 024 7637 2222
Trade Installer Hotline: 024 7637 8344
www.tritonshowers.co.uk

Triton is a division of Norcross Group (Holdings) Limited

technical@tritonshowers.co.uk

Please refer to shower installation and operating instructions for service details

TRITON reserve the right to change product specification without prior notice. E&OE. © TRITON SHOWERS 2023