

# Mira Decor Dual

## Electric Shower



Thoughtfully designed  
to meet all your needs

### Product Information

Description	Colour	Product No.
Mira Decor 10.8KW	White	1.1894.009
Mira Decor 10.8KW	Warm Silver	1.1894.003
Mira Decor 10.8KW	Black Onyx	1.1894.006

### Features & Benefits

#### Temperature control

Pressure stabilised temperature control

#### Easy to fit

Retrofits onto inlets of most Mira electric showers

Left-hand water and cable entry points

#### Easy to service

Easy filter access

#### For your customer

Separate power and temperature controls

Push button on/off

Low power setting saves water and energy

Clearscale™ reduces limescale by up to 50%

Modern aesthetics with range of colours and chrome detailing

Easy to use Diverter allows for relaxing overhead shower or invigorating handshower

Easy clean showerheads both with rub clean nozzles

Easy clean smooth hoses



To download other resources, and for more  
information and advice on our products just visit:  
[www.mirashowers.co.uk](http://www.mirashowers.co.uk)

# Product Specification

## Tech Details

### Temperature Control

Control type: Pressure stabilised

### Installation

Power options: 10.8kW 240V AC (9.9kW 230V AC)

Supply voltage: 230v  $\pm$  10%

Supply rating: 45 amp

Terminal Block connections: Maximum 10mm<sup>2</sup>

Water entry points: Left (rising, falling & rear)

Cable entry points: Left (rising, falling & rear)

Inlet connections: 15 mm plastic stub, compression or push-fit fittings

Outlet connections: 1/2" BSP Male

### Supply Conditions (hot and cold)

Minimum maintained pressure: 1.0 bar (10 metre head)

Maximum maintained pressure: 5.0 bar (50 metre head)

Maximum static pressure: 10.0 bar (100 metre head)

### Performance

Temperature stability:  $\pm$  6°C

### Safety Features

Phased shutdown: No

Factory set to safe max temp: No

Mira Sensi-flo™: No

### Accessories

Wide range of accessories available at [www.mirashowers.co.uk](http://www.mirashowers.co.uk)

### Approvals

BEAB approved

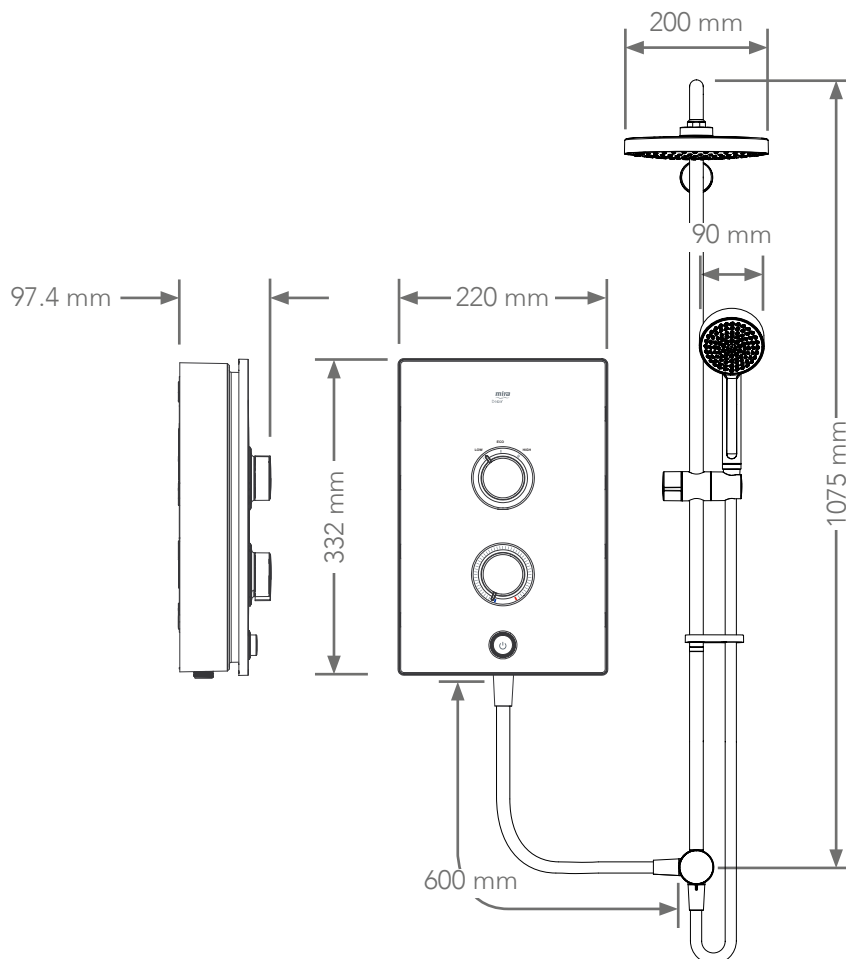
Kiwa certified

WRAS approved (Water Regulations Advisory Scheme)



**Intertek**

## Dimensions



To download other resources, and for more information and advice on our products just visit: [www.mirashowers.co.uk](http://www.mirashowers.co.uk)

