

AP-400

composite tundish



altecnic

AP-400 composite tundish



Application

The use of a tundish meets the requirements of water regulations G19.1, G19.3 and G19.4 contained in the "The Water Supply (Water Fittings) Regulations 1999" and the "Water Byelaws 2000 (Scotland)" for sealed or unvented systems.

The discharge pipe from expansion valves, temperature relief valves and combined temperature and pressure relief valves should pass through a tundish with an AUK3 air gap.

The tundish must be located within the same room, as near as possible to the relief valve, since it is important that the discharge is clearly seen to warn of a possible problem within the system..

All Altecnic tundishes provide a type AA air gap since they all provide a minimum air break of 20mm.

A device with a type AA air gap provides additional protection above a AUK3 air gap and is suitable to protect against category 5 Back Pressure and category 5 Back Siphonage.

All Altecnic tundishes are WRAS approved products.

Construction Details

Altecnic composite tundishes are manufactured from Acetal co-polymer material which has excellent corrosion resistance and temperature stability up to 95°C.

Threaded end connections to BS EN ISO 228-1 or compression ends to BS EN 1254-2.

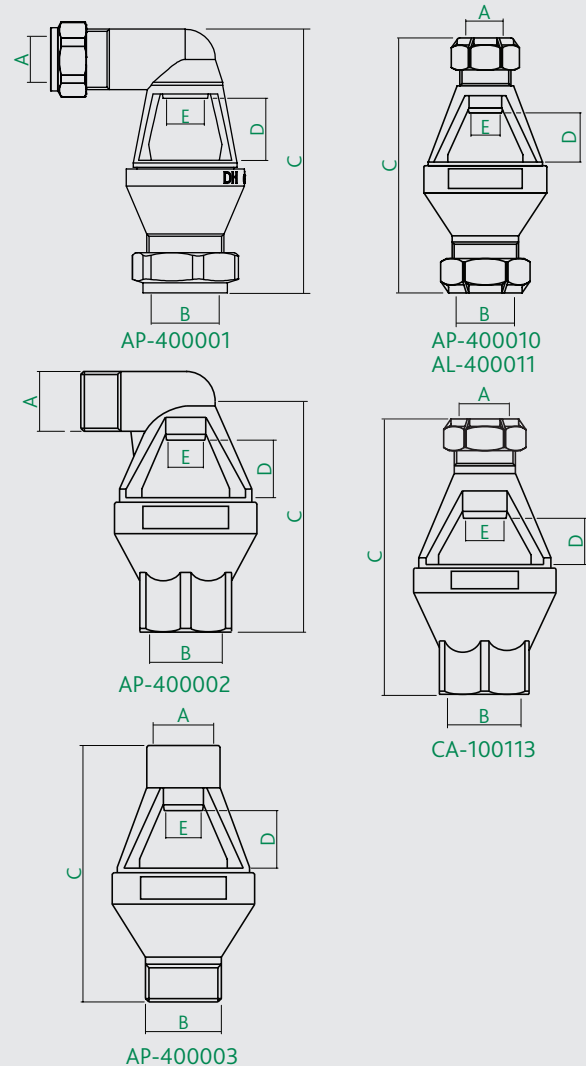
Range Ref No	Body Style	Inlet Connection	Outlet Connection
AP-400001	Angle	15mm com.	22mm com.
AP-400002	Angle	¾" male	1" female
AP-400003	Straight	½" female	¾" male
AP-400010	Straight	15mm com.	22mm com.
AP-400011	Straight	22mm com.	28mm com.
CA-100113	Straight	22mm com.	1" female

Installation

Tundishes are easy to install and should be installed in accordance with water regulation G19.3 and discharge safely into a trapped gully or drain.

The temperature of water discharge can approach 100°C, it is therefore imperative that the final discharge point will not cause injury to people in the vicinity, when a sudden discharge occurs.

Dimensions



Ref No	A	B	C	D	E
AP-400001	Ø15	Ø22	91.5	23	13
AP-400002	G¾	G1	113.2	20	19.0
AP-400003	G½	G¾	88.5	20	12.7
AP-400010	Ø15	Ø22	85.5	21	13
AP-400011	Ø22	Ø28	129	20	22
CA-100113	Ø22	G1	121	20	19

© Patents & Design Altecnic 2021

Altecnic Ltd retains all rights (including patents, designs and copyrights, trademarks and any other intellectual property rights) in relation to all information provided on or via the website, brochures or any other documents, including all texts, graphics and logos, contained on the website, in brochures or in any other documents published in the name of or on behalf of Altecnic Ltd in any form, without prior written consent of Altecnic Ltd.

Altecnic Ltd Mustang Drive, Stafford, Staffordshire ST16 1GW

T: +44 (0)1785 218200 E: sales@altecnic.co.uk

Registered in England No: 02095101

altecnic.co.uk

AL 410 27-04-21

E & O.E

© Altecnic Limited. 2021

ALTECNIC™