

Technical Data Sheet



Shower Systems

No.	Description	Codes	Fixings
1	Prefix Concealed Dual Function Shower System with Shower Head and Handset	TR3009	YES



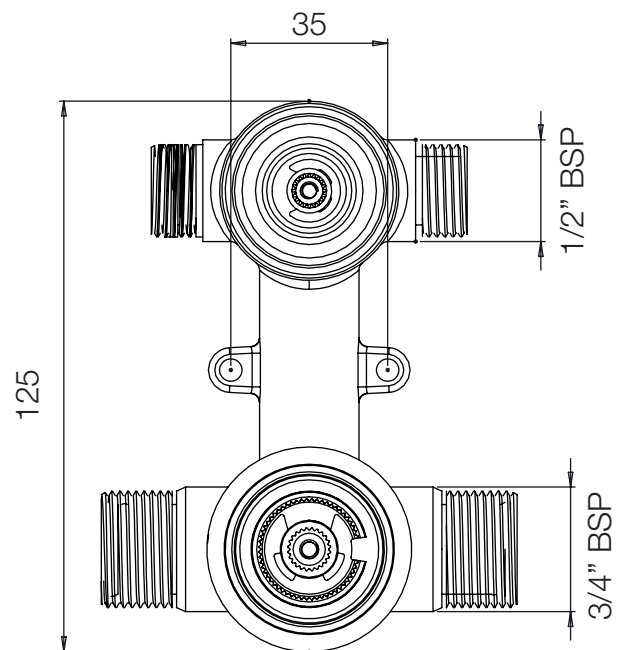
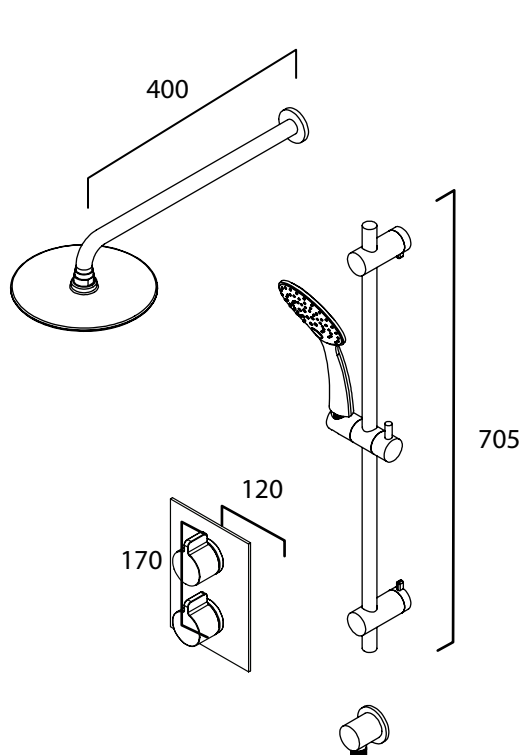
Inlet Pressure	Flow Rate (l/min)
0.5bar	8.00
1bar	9.00
2bar	13.50
3bar	17.50

The round shower kit is used for Prefix, Joy, Fuse and Crew shower systems

Dimensions - Overview

Diagrams not to scale. All dimensions in mm (tolerance of +/-5mm)

*Dimensions are subject to change, customers are advised to measure actual product before commencing installation.



NOTE: VALVE TO BE RECESSED 80-100mm FROM FINISHED WALL SURFACE

FAQs

How tall is the riser rail? 705mm - the fixing brackets are adjustable and have no fixed distance.

How long is the shower hose? 1.5m

What is the recommended minimum pressure for optimum pressure of valve? 1.0bar

What is the valve inlet connection size? 3/4" BSP

What is the valve outlet connection size? 1/2" BSP

What is the handle material? Chrome-plated brass