

Technical Data Sheet

Crew Shower System



| No. | Description | Code | Fixings Included |
|-----|---|--------|------------------|
| 1 | Crew Concealed Dual Function Shower System with Shower Head and Handset | TR3006 | YES |

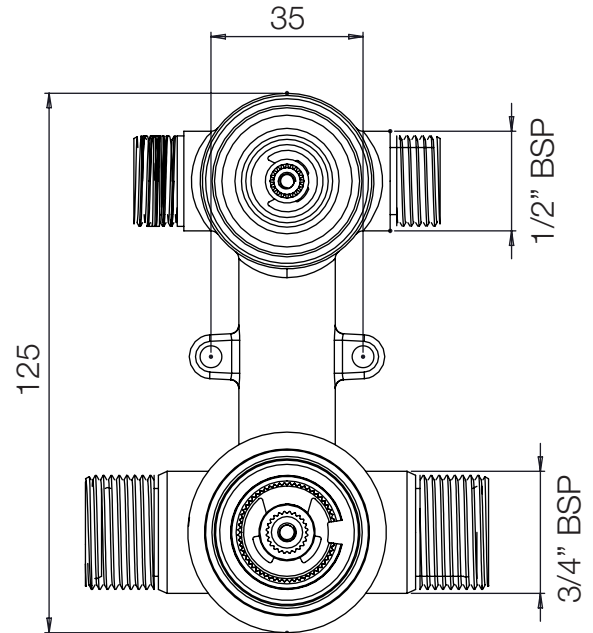
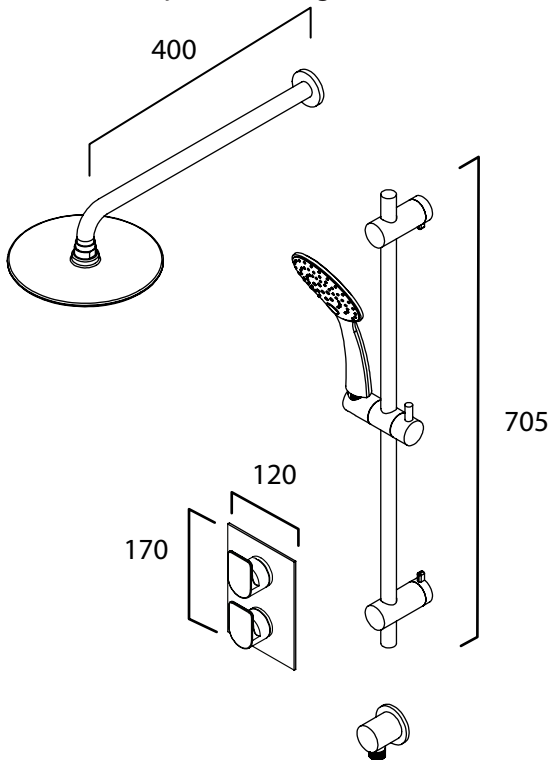


| Inlet Pressure | Flow Rate (l/min) |
|----------------|-------------------|
| 0.5bar | 8.00 |
| 1bar | 9.00 |
| 2bar | 13.50 |
| 3bar | 17.50 |

Dimensions - TR3006

Diagrams not to scale. All dimensions in mm (tolerance of +/-5mm)

*Dimensions are subject to change, customers are advised to measure actual product before commencing installation.



NOTE: VALVE TO BE RECESSED 80-100mm FROM FINISHED WALL SURFACE

FAQs

How tall is the riser rail? 705mm - the fixing brackets are adjustable and have no fixed distance.

How long is the shower hose? 1.5m

What is the minimum pressure for the valve? 1.0bar

What is the valve inlet connection size? 3/4" BSP

What is the valve outlet connection size? 1/2" BSP

What is the handle material? Chrome-plated brass