

Technical Data Sheet

Crew Basin Mixer - TR1025



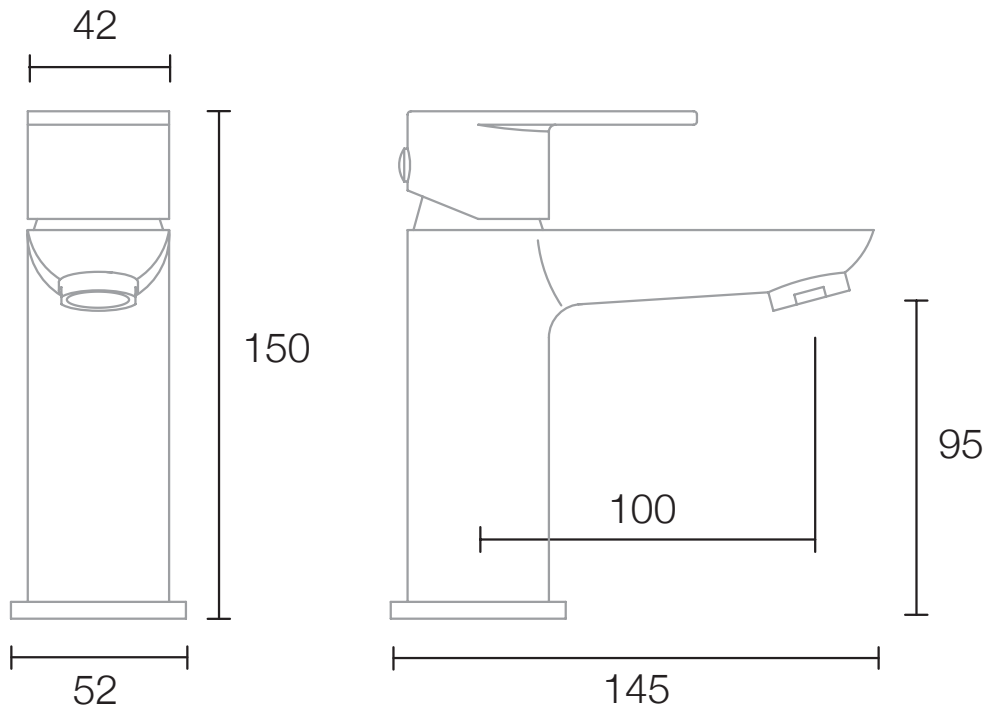
No.	Description	Code	Fixings Included
1	Crew Basin Mixer	TR1025	YES



Min Pressure:	0.3bar
0.2bar	5 litres / min
0.3bar	6.2 litres / min
0.4bar	7.6 litres / min
0.5bar	10.8 litres / min
1bar	16 litres / min
2bar	19.6 litres / min

Dimensions - TR1025

Diagrams not to scale. All dimensions in mm (tolerance of +/-5mm)



*Dimensions are subject to change, customers are advised to measure actual product before commencing installation.

FAQs

What is the size of the tap tail connection? The tap tails have a standard 1/2" BSP fixing.

What bore is the tap tail? The tails have a 10mm internal bore.

What length are the tap tails? The tails are 300mm in length.

Does the tap come fitted with an aerator? Yes, the aerator comes pre-installed but can be replaced.

Technical Data Sheet

Crew Mini Basin Mixer - TR1026



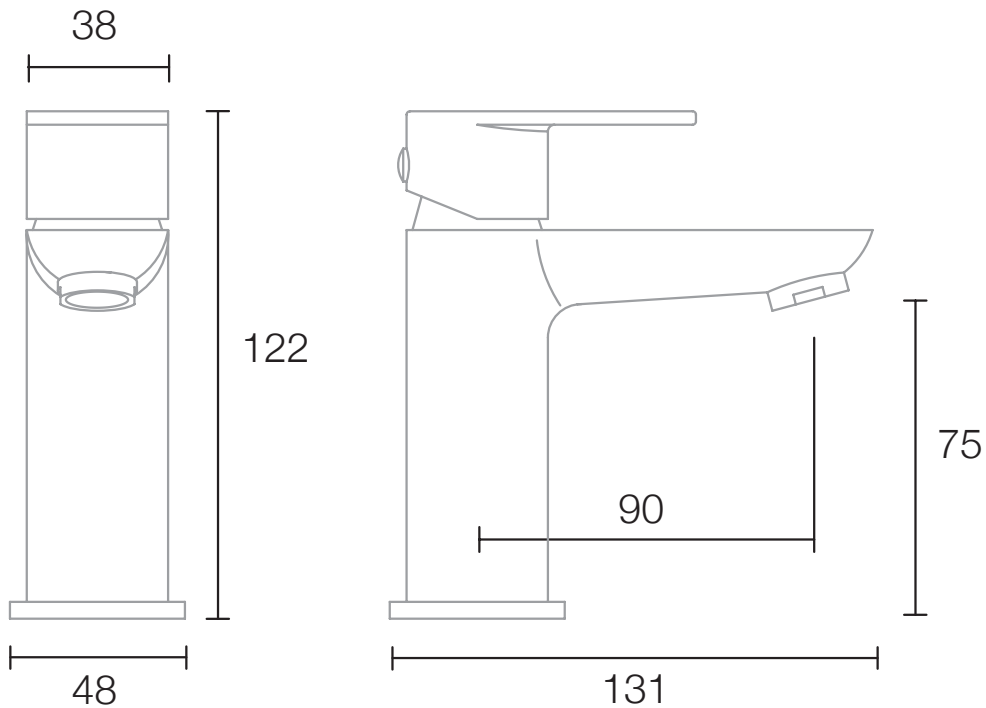
No.	Description	Code	Fixings Included
1	Crew Mini Basin Mixer	TR1026	YES



Min Pressure:	0.3bar
0.2bar	5 litres / min
0.3bar	6 litres / min
0.4bar	7.6 litres / min
0.5bar	10.4 litres / min
1bar	15.6 litres / min
2bar	18.7 litres / min

Dimensions - TR1026

Diagrams not to scale. All dimensions in mm (tolerance of +/-5mm)



*Dimensions are subject to change, customers are advised to measure actual product before commencing installation.

FAQs

What is the size of the tap tail connection? The tap tails have a standard 1/2" BSP fixing.

What bore is the tap tail? The tails have a 10mm internal bore.

What length are the tap tails? The tails are 300mm in length.

Does the tap come fitted with an aerator? Yes, the aerator comes pre-installed but can be replaced.

Technical Data Sheet

Crew Bath Filler - TR1027



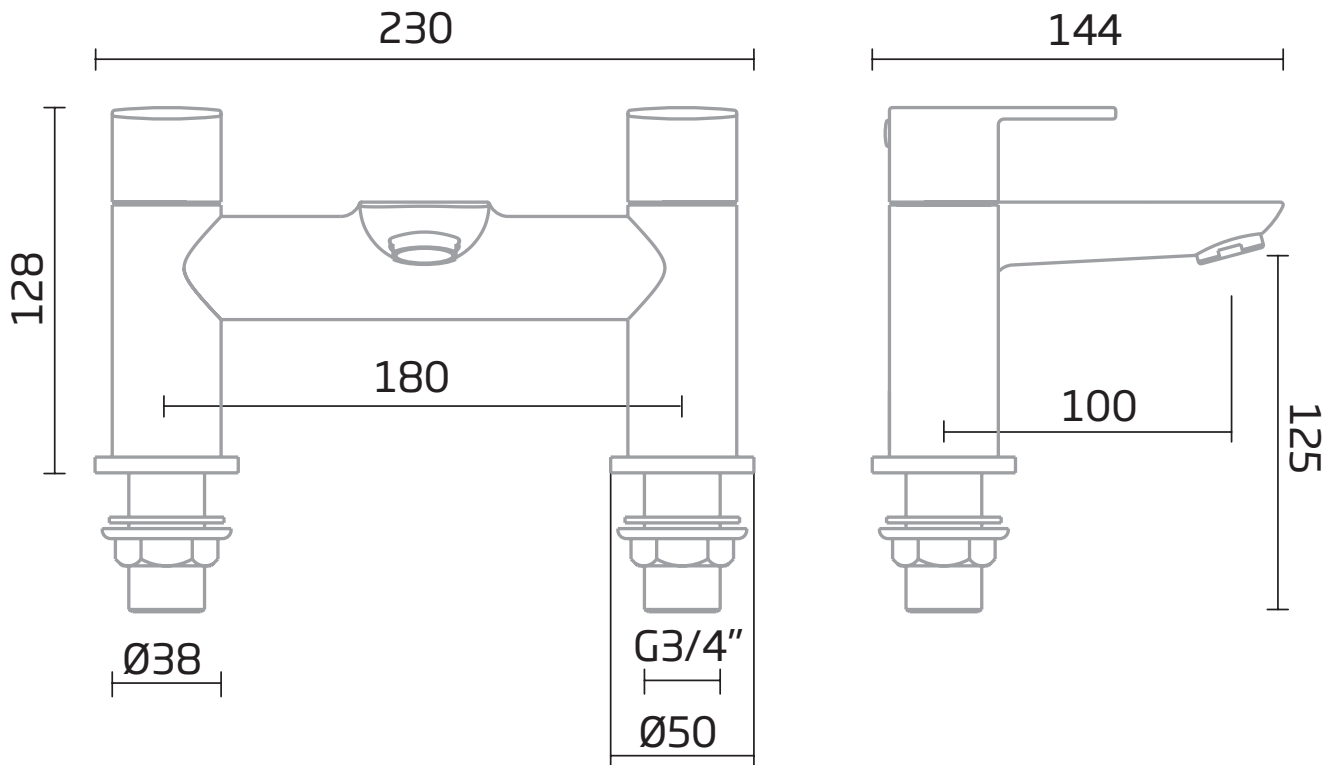
No.	Description	Code	Fixings Included
1	Crew Bath Filler	TR1027	YES



Min Pressure:	0.3bar
0.2bar	11 litres / min
0.3bar	14 litres / min
0.4bar	18.6 litres / min
0.5bar	27.3 litres / min
1bar	35.4 litres / min
2bar	46.5 litres / min

Dimensions - TR1027

Diagrams not to scale. All dimensions in mm (tolerance of +/-5mm)



*Dimensions are subject to change, customers are advised to measure actual product before commencing installation.

FAQs

Does the tap come fitted with an aerator? Yes, the aerator comes pre-installed but can be replaced.

What size plumbing fittings are needed for the threaded legs? This product will work with standard 3/4" plumbing fittings.

Technical Data Sheet

Crew Bath Shower Mixer - TR1028



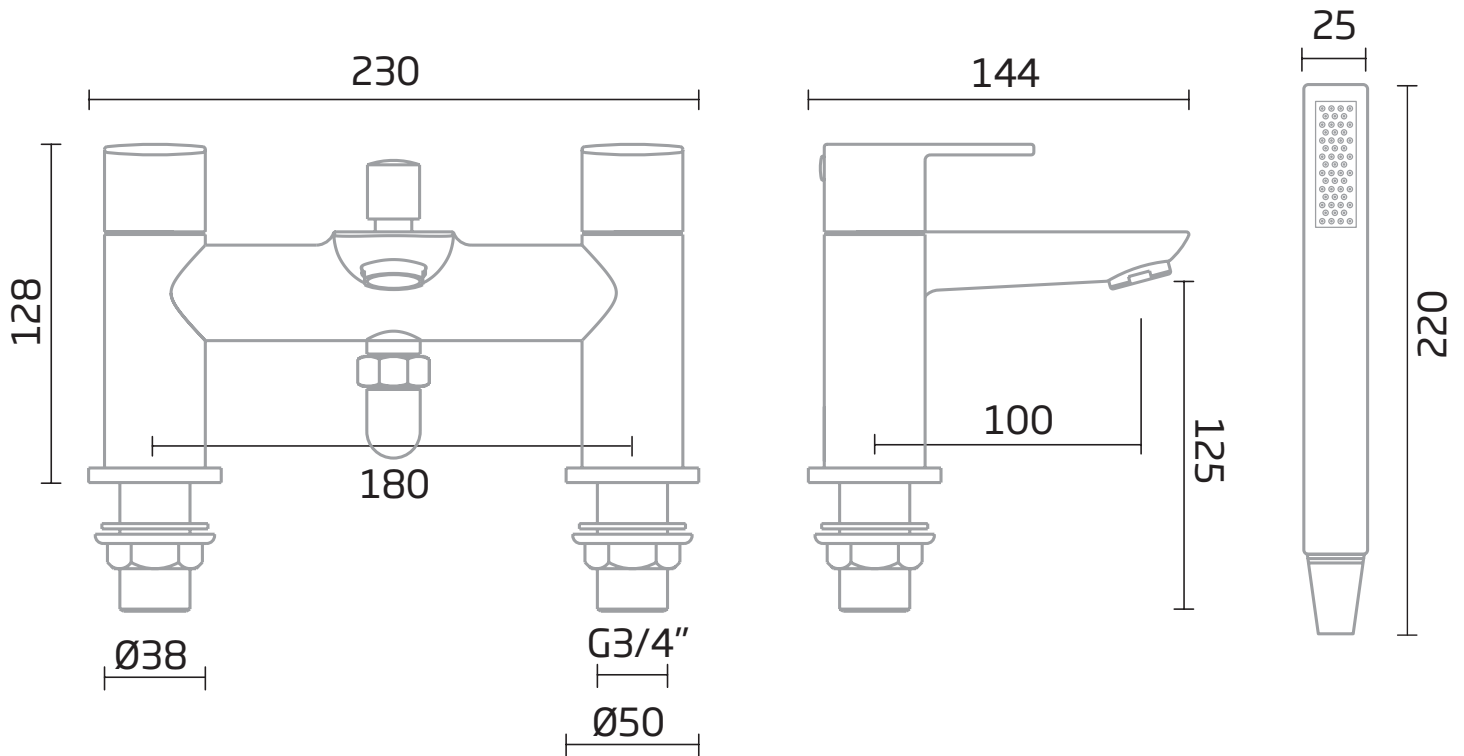
No.	Description	Code	Fixings Included
1	Crew Bath Shower Mixer	TR1028	YES



Min Pressure:	0.3bar
0.2bar	9.7 litres / min
0.3bar	11.6 litres / min
0.4bar	15.4 litres / min
0.5bar	23.1 litres / min
1bar	32.8 litres / min
2bar	38.5 litres / min

Dimensions - TR1028

Diagrams not to scale. All dimensions in mm (tolerance of +/-5mm)



*Dimensions are subject to change, customers are advised to measure actual product before commencing installation.

FAQs

Does the tap come fitted with an aerator? Yes, the aerator comes pre-installed but can be replaced.

What size plumbing fittings are needed for the threaded legs? This product will work with standard 3/4" plumbing fittings.

What size are the connections for the shower hose? The threaded connections on the shower hose are a standard 1/2" BSP connection.