

Contour Cloakroom Unit CN5010.x

Please retain for future reference

R2

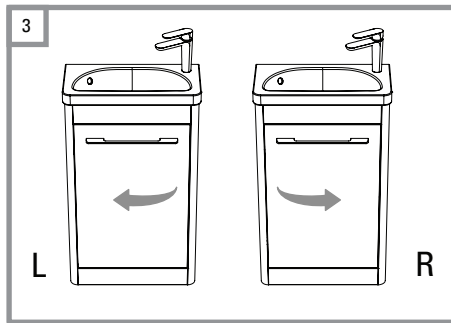
Installation and Fitting Instructions

Before you start

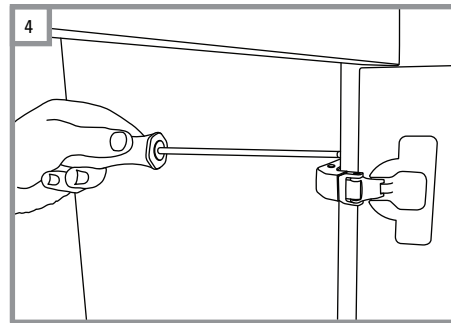
It is recommended that the unit and basin are secured to a suitably reinforced wall to ensure stability, this should be done via the upper cross brace using suitable fixings (not supplied). Any cuts made into the brace or other parts must be re-sealed to prevent any water ingress.

Wear suitable eye protection when drilling. Take care when using power tools near water - the use of a residual current device (RCD) is recommended. Beware of hidden pipes or cables. Take care when drilling tiled surfaces as the drill might slip. Use a piece of masking tape to prevent the drill from wandering.

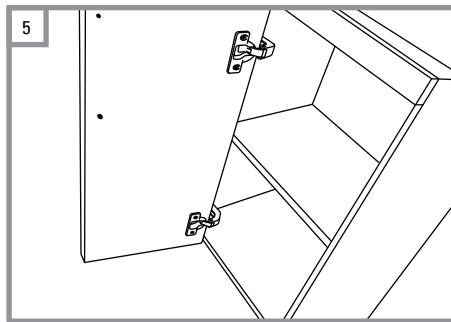
Reversing Doors



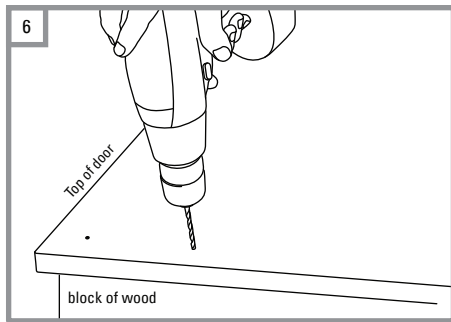
Depending on the intended location of the unit, you have the option of choosing whether you want a left or right hand opening door.



If the delivered configuration isn't suitable remove door and hinges from unit using a suitable tool.

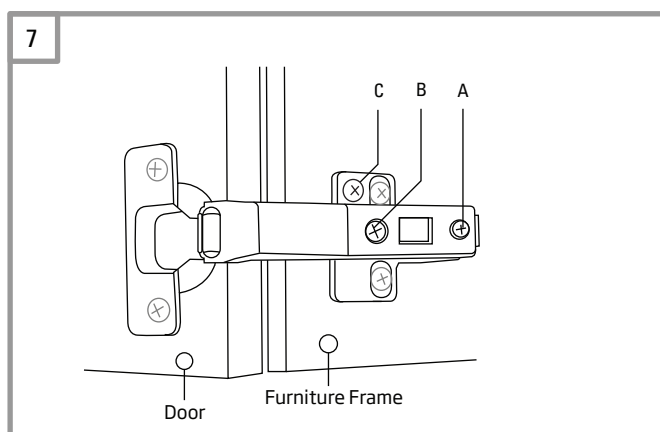


Reattach the door to the chosen side and replace cover caps in the obsolete hinge holes.



Once the handing has been chosen, remove the door using the quick release hinges. Place door on to a clean and smooth scrap piece of wood and carefully drill out the selected holes for the handle bolts.

Hinge Adjustment

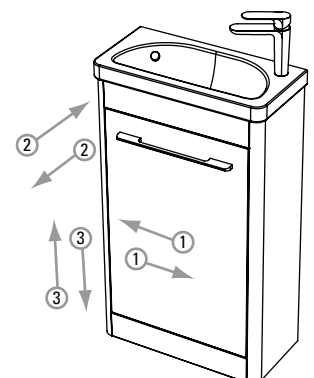


8

To make adjustment 1 (see Drawing 7) tighten/loosen adjustment screw B.

To make adjustment 2 (see Drawing 7) simply turn screw A

To make adjustment 3 (see Drawing 7) simply turn screw C




Fitting the Basin

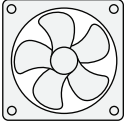
Once the basin has been plumbed in, finish by securing to the washstand using a silicone sealant (not supplied).


Furniture Aftercare Instructions


As with all wooden furniture, this unit should be treated with care:

We recommend...

 Wipe away any water splashes or condensation after use. Excessive exposure to water will deteriorate the furniture.


 All bathrooms should be well ventilated with a suitable extractor fan.


 Clean with a soft damp cloth only.

 Use a wax free polish if one must be used.

For removal of lime scale deposits use a suitable proprietary cleaner. If necessary test on an inconspicuous area first.

Please DO NOT...

 Do not scrub or scour

 Do not use abrasive cleaning agents

Replacement components

Should you require any replacement components for this product please contact Roper Rhodes Ltd using the contact details below.



Customer Services
R2
Brassmill Lane Trading Estate
Bath
BA1 3JF
t: 01225 303900

REF: CN5010.x.JS.1113.V2.0