

STUART

PULSE Trade 25/60-130 Circulator

The NEW STUART PULSE Trade 25/60-130 premium circulator is capable of flow rates up to 3.6 m³/hour and heads up to 6 metres.

Suitable as an ideal replacement for existing 130 mm fitting length stand-alone heating system circulators whilst offering superior energy efficiency, reliability and ease of use.

The STUART PULSE TRADE 25/60-130 circulator also features automatic adapt, proportional pressure, constant pressure and constant speed operating modes and is supplied with a 1.3m power cable, shrouded connector and 5 year warranty as standard.



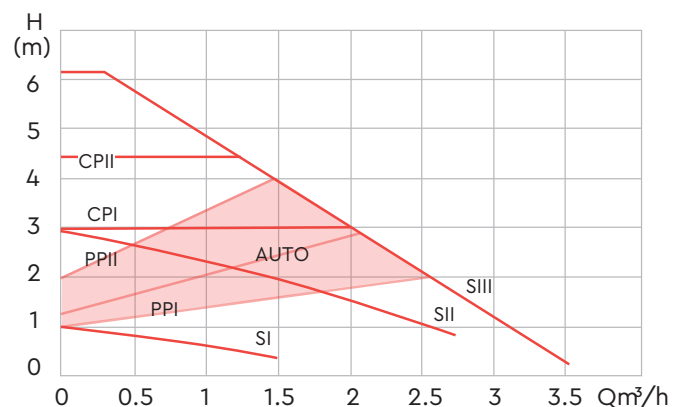
Features

- Automatic adapt, proportional pressure, constant pressure and constant speed operating modes
- Automatic night setback
- Power setting adjustable to 4m or 6m
- EEI ≤ 0.20 (ErP compliant – best in class)
- LED display control panel
- Anti-lock function
- Insulation shell included
- Shrouded connector included
- 1.3m cable included
- ECM permanent magnet technology
- Built-in over-current, temperature and over-voltage protection
- G 1½ threaded connection
- 5 year warranty

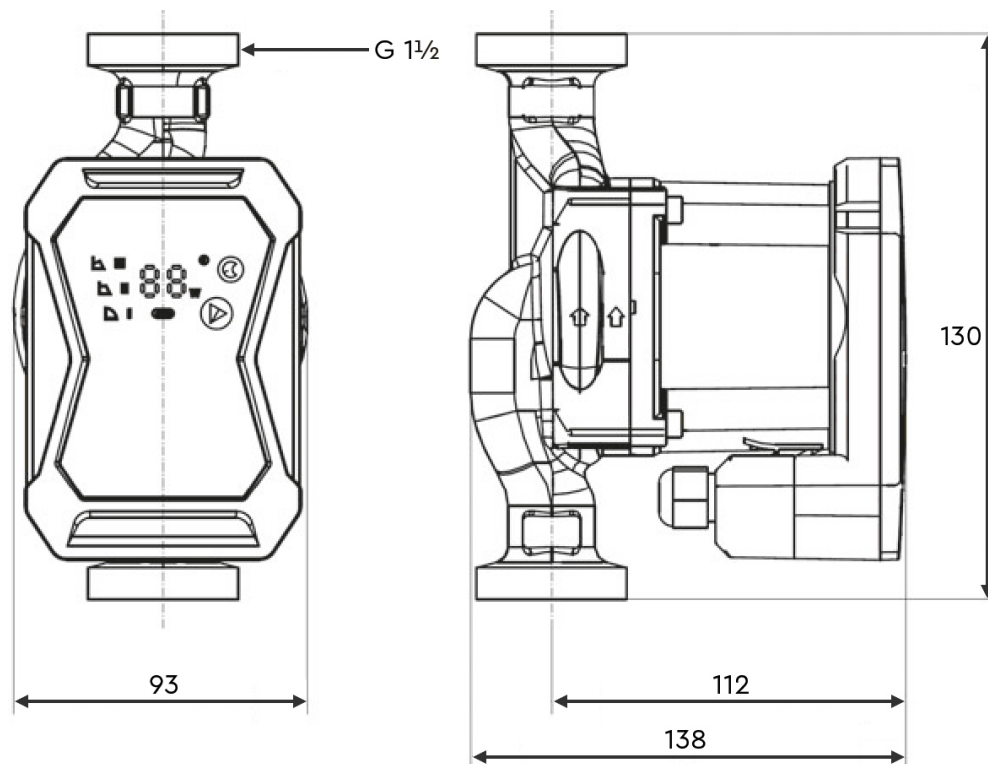
Applications

- Hot water heating systems
- Underfloor heating, pre-plumbed cylinder and boiler applications
- Air conditioning and ventilation systems

Performance



Model		Pulse Trade 25/60-130 Circulator 47505
General	Warranty	5 years
Features	Pump type	Centrifugal
	Fitting length	130 mm
	Speed settings	Variable
Materials	Pump body	Cast iron cataphoresic coated
Performance	Maximum head (closed valve)	6.0 metres
	Maximum flow	3.6 m ³ /h
	Maximum working pressure	10 bar
	Minimum inlet pressure	0.05 bar <75 °C (fluid temperature) 0.3 bar 75 °C – 90 °C (fluid temperature) 1.1 bar 90 °C – 110 °C (fluid temperature)
	Min / Max water temperature	5 °C to 110 °C
	Max ambient air temperature	40 °C
Connections	Inlet / outlet	G 1½
Motor	Type	Permanent magnet rotor
	Duty rating	Continuous (S1)
Electrical	Power supply / phase / frequency	230 V a.c. / 1 / 50 Hz
	Power consumption	4.5 – 38 Watts
	Current (full load)	0.17 Amps
	Fuse rating	5 Amps
	EEL	≤ 0.20
Physical	Enclosure protection	IP42
	Depth	138 mm
	Width	93 mm
	Height	130 mm
	Weight	2.12 Kg



Stuart Turner Limited reserves the right to amend specifications without notice.

Stuart Turner Ltd, Henley-on-Thames, Oxfordshire RG9 2AD Tel: +44 (0) 1491 572655 Fax: +44 (0) 1491 573704
 TechAssist Helpline +44 (0) 800 31 969 80
www.stuart-turner.co.uk

Pt. No. 72286 Issue 2022-01-01