

SINK

BOTTLE TRAPS



SPACE SAVING TRAPS



COMBINATION WASTES



wirquin **neo** **AIR**

Lifetime guaranteed!

AIR SYSTEM

Integrated ventpipe

- ✓ **ZERO** Odours
- ✓ **ZERO** Noise
- ✓ **ZERO** Syphoning

QUICK-SAFE
Installation

- ✓ **ZERO** Leaks
- ✓ **ZERO** Hassle



EN 274

MADE IN
FRANCE



9 
AWARDED

Put an end to
bad smells
and leaks!

wirquin **neo** **AIR**
Lifetime guaranteed!

9
AWARDED

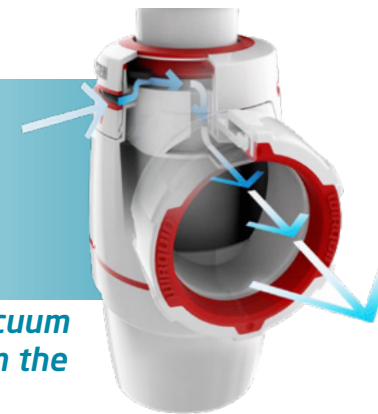


AIR SYSTEM *Integrated ventapipe*

Prevents the suction of the water seal trap thanks to the membrane.

- ✓ **ZERO** Odours
- ✓ **ZERO** Noise
- ✓ **ZERO** Syphoning

Replaces the traditional anti-vacuum by creating natural ventilation in the pipes



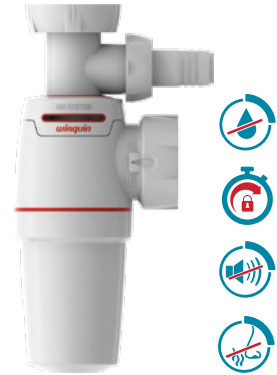
QUICK-SAFE *Installation*

Easy and quick installation 100% waterproof thanks to the bi-injected washer



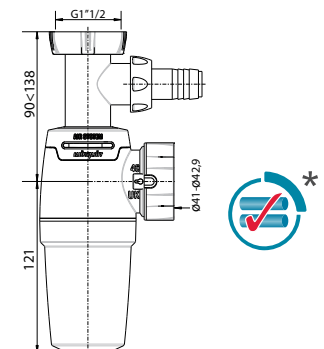
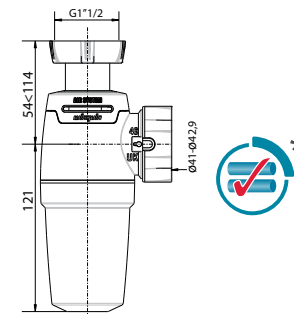
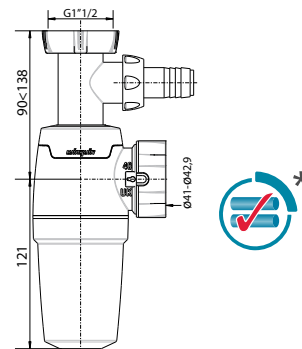
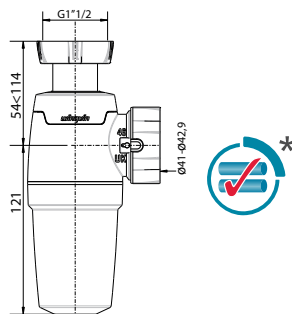
- ✓ **ZERO** Leaks
- ✓ **ZERO** Hassle

BOTTLE TRAPS



Description	WIRQUIN NEO	WIRQUIN NEO WITH WMC	WIRQUIN NEO AIR	WIRQUIN NEO AIR WITH WMC
Reference	30722166	30120429	30722168	30120439
EAN code	3375537220892	5017134134223	3375537220915	5017134134230
Packaging	Film	Bag	Film	Bag
Multiple / Box qty	01/50	01/14	01/50	01/14
Depth of seal	80 mm	80 mm	80 mm	80 mm
Flow rate (Under 15mm of water)	55.2 L/mn	59.9 L/mn	55.2 L/mn	59.9 L/mn
Height mm	175>235 mm	211>259 mm	175>235 mm	211>259 mm

Technical drawing

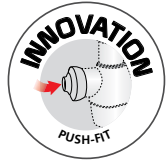


* suitable for ABS pipe, compression fit only

ALL IN ONE

UNIVERSAL

TRAP ALL IN ONE



Description	ALL IN ONE - WHITE	ALL IN ONE - WITH APPLIANCE SPIGOT
Reference	31180002	31190002
EAN code	3375537140435	3375537140442
Packaging	Bag	Bag
Multiple / Box qty	01/45	01/40
Depth of seal mm	50 mm	50 mm
Flow rate in l/mn (Under 15mm of water)	62 L/mn	62 L/mn
Height mm	125 < 170 mm	165 < 200 mm



> UNIVERSAL:

1 1/4" & 1 1/2" a single product to fit basin & sink.



> ADJUSTABLE HEIGHT:

Making it easy to install and fit a range of different heights.



> OVERMOULDED WASHERS:

A perfect seal without the need for washers.



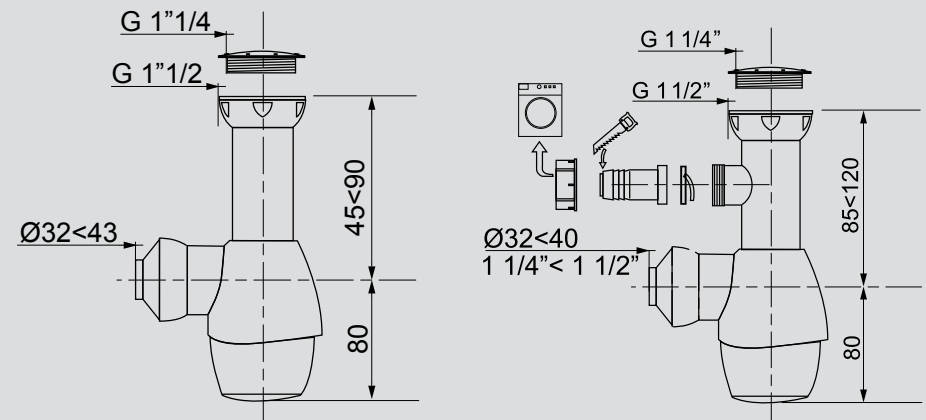
> PUSH-FIT FUNCTION:

Rapid installation.



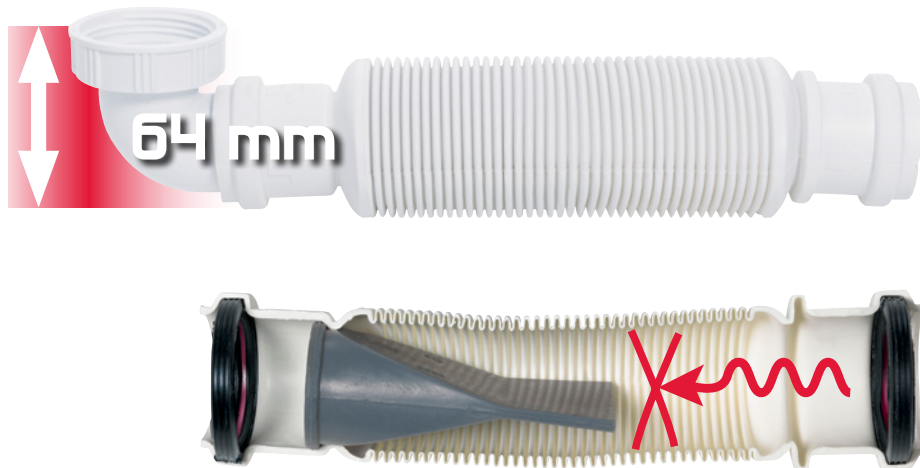
> EASY TO CLEAN:

Simple rotation of the base.



SENZO

WATERLESS MEMBRANE TRAP SENZO



Description	SENZO WITH 90° ELBOW
Reference	31560006
EAN code	3375537160167
Packaging	Bag
Multiple / Box qty	01/50
Flow rate in l/mn (Under 15mm of water)	38 L/mn
Height mm	125 < 170 mm

Available in 1 ¼' - see page 121

> Already have ABS pipe installed? 31160002 can also be used with ABS pipe using a solvent weld adaptor 39452001.

NB: The adaptor is not to be solvent welded to the Senzo, only the ABS pipe.



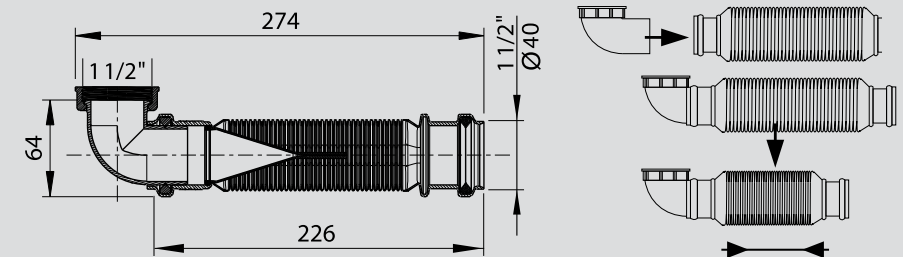
> **FLEXIBLE:**
Easy to install with no effort - push fit.



> **WATERLESS SILICONE MEMBRANE TRAP:**
No smell guaranteed.



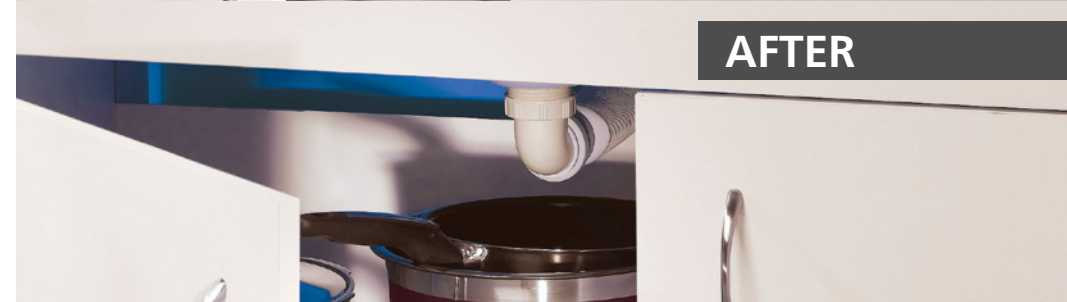
> **ULTRA COMPACT:**
Only 64mm in height with 90 degree elbow.



BEFORE



AFTER

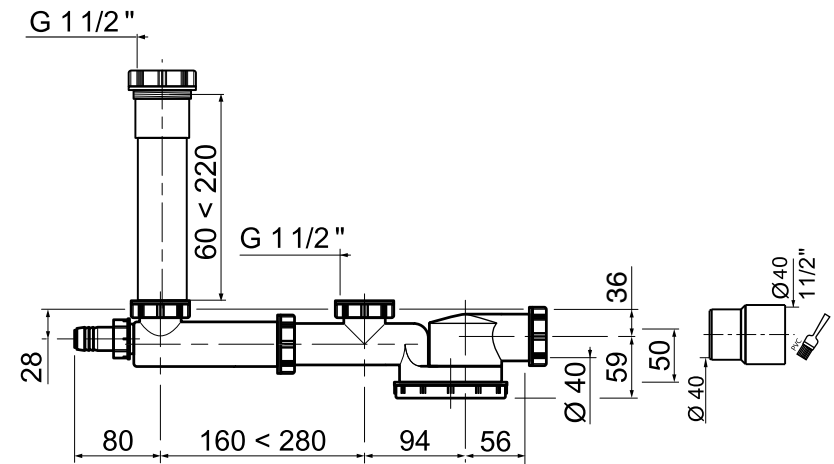
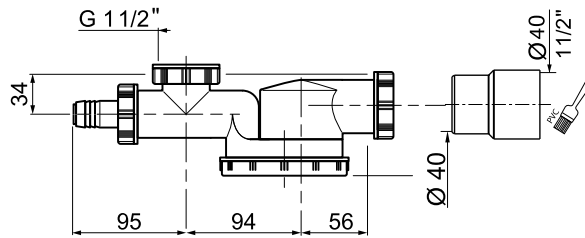


SPACE SAVING TRAPS



Description	SPACE 1 BOWL	SPACE 1 1/2" 2 BOWLS
Reference	31000201	33000203
EAN code	3375539056192	3375539056253
Packaging	Bag	Bag
Multiple / Box qty	01/27	1/30
Depth of seal mm	50 mm	50 mm
Flow rate in l/mn	42 L/mn	

Technical drawing

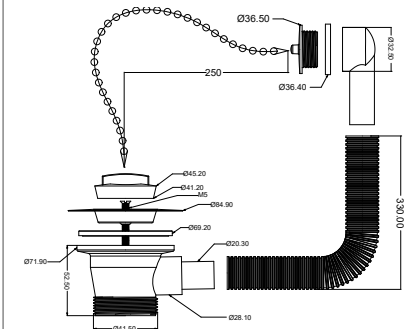
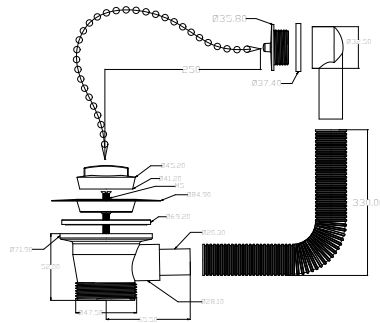


SINK COMBINATION WASTES



Description	POLY PLUG, BLACK OVERFLOW FACE	POLY PLUG, BLACK OVERFLOW FACE	POLY PLUG, CHROMED OVERFLOW FACE	POLY PLUG, CHROMED OVERFLOW FACE	1 1/4" POLY PLUG, CHROMED OVERFLOW FACE
Reference	WSO33SS	WSO32SS	WSO51SS	WSO53SS	WSO50SS
EAN code	5024139069603	5024139070043	5024139068842	5024139074843	5024139078223
Packaging	Box	Bag	Box	Bag	Box
Multiple / Box qty	01/30	01/20	01/30	01/20	01/30
Overflow length mm	330 mm	330 mm	330 mm	330 mm	330 mm
Plug	Ø45 mm Length chain = 255 mm	Ø45 mm Length chain = 255 mm	Ø45 mm Length chain = 255 mm	Ø45 mm Length chain = 255 mm	Ø45 mm Length chain = 255 mm

Technical drawing

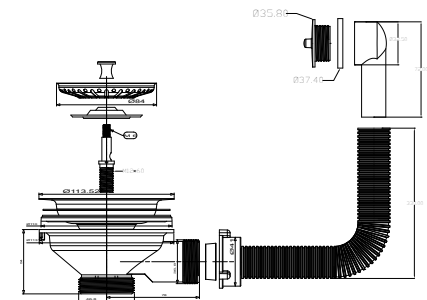
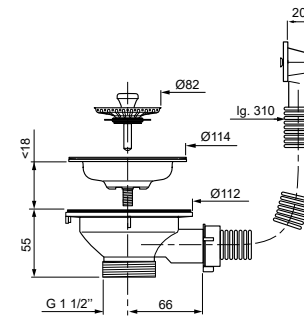
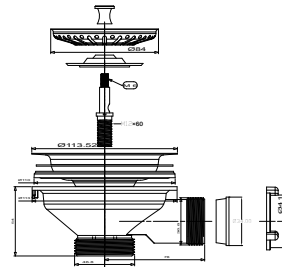
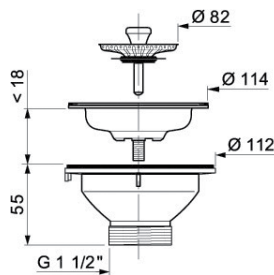


BASKET STRAINERS



Description	STAINLESS STEEL BASKET STRAINER WASTE WITHOUT OVERFLOW	STAINLESS STEEL BASKET STRAINER WASTE WITH OVERFLOW CONNECTION	STAINLESS STEEL BASKET STRAINER WASTE WITH CONTINENTAL OVERFLOW	STAINLESS STEEL BASKET STRAINER WASTE WITH OVERFLOW
Reference	SP2480050	WSB02SS	32440001	WSB70SS
EAN code	3375536019800	5024139064172	3375537128471	5024139058867
Packaging	Bag	Box	Bag	Box
Multiple / Box qty	01/60	01/30	01/40	01/30
Sink size mm	90 mm	90 mm	90 mm	90 mm

Technical drawing



BELFAST SINK



FLUSH GRATED Ø85

Description	POLY PLUG, UNSLOTTED	POLY PLUG, SLOTTED	POLY PLUG, UNSLOTTED	POLY PLUG, UNSLOTTED	POLY PLUG, UNSLOTTED	1 1/2" CHROME PLATED BRASS, SLOTTED, PLASTIC BACKNUT	1 1/2" CHROME PLATED BRASS, UNSLOTTED, PLASTIC BACKNUT
Reference	WSS23CP	WSS25CP	WSS11SS	WSK23CP	WSS21CP	WFS58CP	WFS57CP
EAN code	5024139101372	5024139069900	5024139093479	5024139082879	5024139094568	5024139069924	5024139101341
Packaging	Box	Box	Box	Box	Box	Box	Box
Multiple / Box qty	01/33	01/36	01/81	01/36	01/57	01/33	01/36
Height mm	88	86	90	86	37.5	83 mm	88 mm
Backnut	Plastic	Plastic	Plastic	Plastic	Plastic	Plastic	Plastic

Technical drawing

