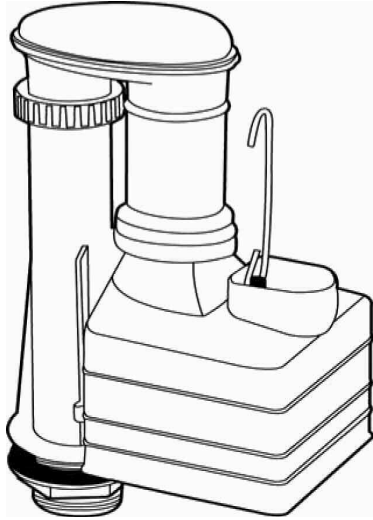


FLUSHING

► Metro Rapid Siphon Range

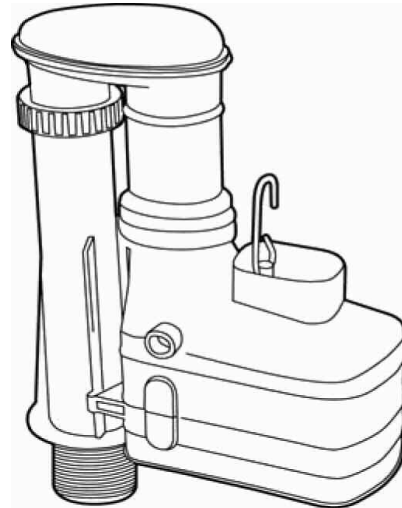
METRO SQUARE SIPHON



CODES FOR SQUARE SIPHON

7.5" - DSY 7925	9.5" - DSY 8225
8" - DSY 8025	10" - DSY 8338
9" - DSY 8125	10.5" - DSY 8438

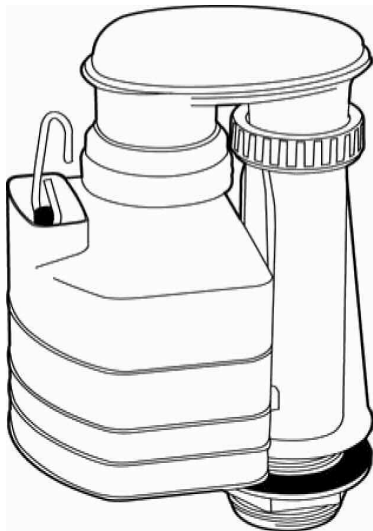
METRO OBLONG ADJUSTABLE 6 / 7 / 9 LITRE FLUSH SIPHON



CODES FOR OBLONG SIPHON

7.5" - DSY 8725	9" - DSY 8925
8" - DSY 8825	9.5" - DSY 9025
8.5" - DSY 8875	10." - DSY 9138
	10.5" - DSY 9238

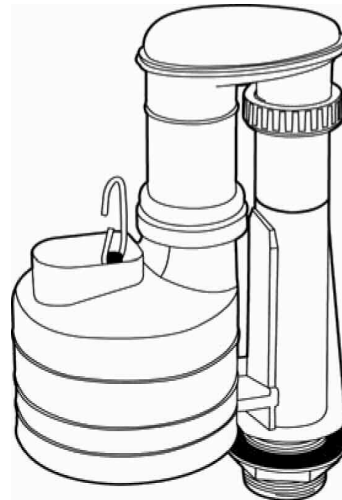
METRO D-SHAPED SIPHON



CODES FOR D-SHAPED SIPHON

7.5" - DSD 7125	9.5" - DSD 9425
8" - DSD 8225	10" - DSD 1538
9" - DSD 9325	10.5" - DSD 1638

METRO ROUND SIPHON



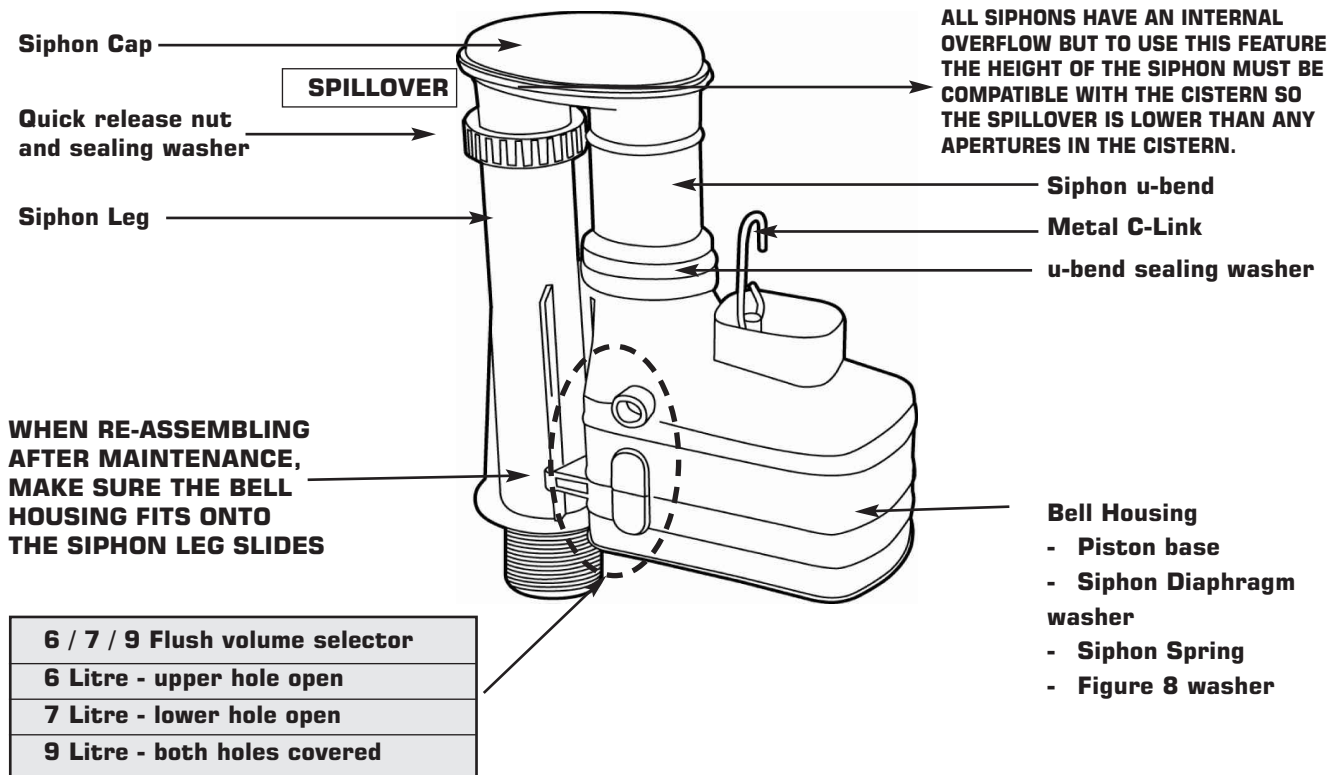
CODES FOR ROUND SIPHON

7.5" - DSY 7125	9" - DSY 7325
8" - DSY 7225	9.5" - DSY 7425
8.5" - DSY 7275	10." - DSY 7538
	10.5" - DSY 7638

Code:	PM000MET
Issue No.	03
Date:	01/12/15

Macdee
wirquin

SANITARY EQUIPMENT SPECIALIST



LOW LEVEL CISTERNS

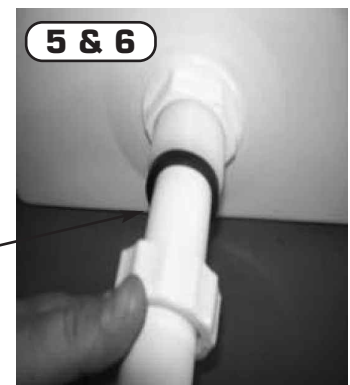


ASSEMBLING SIPHON

1. Push the siphon washer over the threaded tail of the siphon.
2. Push the threaded tail down through the outlet hole in the base of the cistern (making sure that the siphon washer is on the inside of the cistern).
3. Put the backnut over the protruding threaded tail and hand tighten back-nut.
4. Finally tighten further 1/2 turn using a spanner.

ATTACHING THE FLUSHPIPE

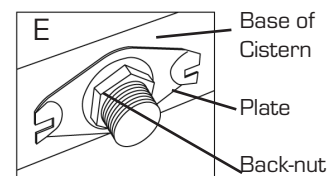
5. Place the coupling nut, followed by the sealing washer onto the flushpipe.
6. Insert the flushpipe into the tail of the siphon (35mm maximum) and hand tighten the coupling nut.



CLOSE COUPLED CISTERNS

After completing stage 1 as for low level cisterns place the close coupling plate over the threaded tail of the siphon, before completing stages 3 and 4.

Place the plate over threads of the siphon, secure hand tight using back-nut provided as shown in picture 'E' & tighten further half turn using a suitable spanner.



METRO SIPHON TROUBLE - SHOOTING

Question - WHY WON'T THE SIPHON FLUSH OR FLUSH ONLY WHEN I PUMP THE HANDLE

Answer - CHECK THE QUICK RELEASE NUT IS FULLY TIGHTENED

Answer - CHECK THE SIPHON DIAPHRAGM WASHER IS FLAT TO THE PISTON BASE AND IS NOT TORN OR DAMAGED.

Answer - CHECK THE SEALING WASHER IS NOT KINKED OR TRAPPED

WIRQUIN Ltd.

Warmsworth Halt Industrial Estate, Warmsworth, Doncaster DN4 9LS, United Kingdom

Technical and Sales enquiries: 0044 (0) 333 222 4488

Email: sales@wirquin.co.uk www.macdee-wirquin.co.uk

Macdee
wirquin

SANITARY EQUIPMENT SPECIALIST