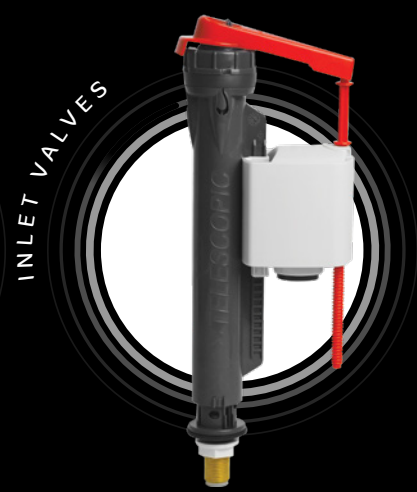
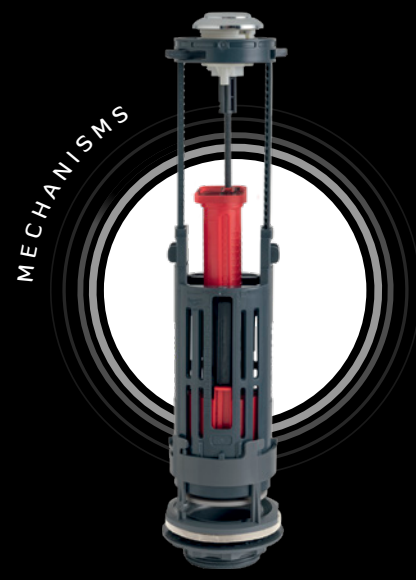


FLUSHING



MERCHANDISING TOOLS

INCREASE SALES



- > CONSISTENT AND SELF EXPLANATORY PACKAGING
- > SELECTION OF MERCHANDISING TO CHOOSE FROM

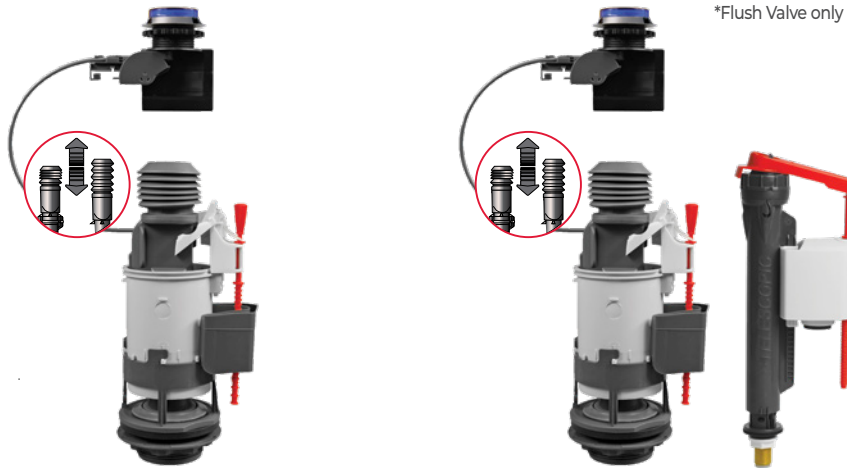
* Image for illustration purposes only.

JOLLYTRONIC

FLUSH VALVE JOLLYTRONIC NO TOUCH FLUSHING MECHANISM



*Flush Valve only



Description	JOLLYTRONIC FLUSH VALVE + NO TOUCH SENSOR	JOLLYTRONIC FLUSHING KIT WITH JOLLYFILL BOTTOM ENTRY INLET VALVE
Reference	10120021	10120022
EAN code	5017134129168	5017134129175
Packaging	Box	Bag
Multiples / Pack	08 per outer / 160 per pallet	10 per outer / 200 per pallet
Height of cisterns (mm)	300 to 420	300 to 420
Button diameter	38 to 45 mm	38 to 45 mm
Cable length	300 mm	300 mm
Main characteristics	Battery operated (4 x AA) no touch infrared flushing valve Water Saving Eco Flush, Flush rate of 1.85 l/mn Suitable for 1.5" or 2" Mechanism outlet (inches)	Battery operated (4 x AA) no touch infrared flushing valve Water Saving Eco Flush, Flush rate of 1.85 l/mn Suitable for 1.5" or 2" Mechanism outlet (inches) + Adjustable jollyfill telescopic, delayed action, inlet valve.
Contents	1 x Eco stop flushing valve and sensor button	1 x Eco stop flushing valve and sensor button 1 x Jollyfill brass bottom entry inlet valve 1 x 1.5" or 2" Close coupled bolted kit 1 x Close coupling washer

FLUSH SAFELY!

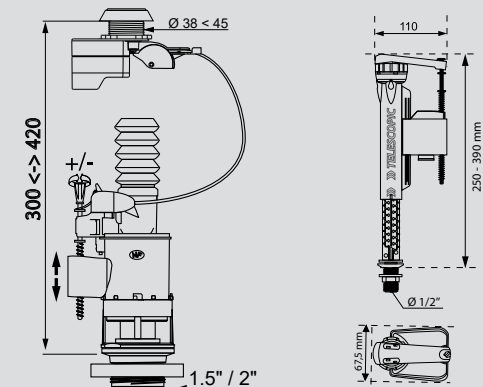
QUICK AND EASY TO INSTALL



> NO TOUCH REQUIRED: Flush safely.

> INFRA RED SENSOR: Ideal for reducing contamination and infection.

> WATER SAVING: Eco-stop



FLUSH VALVES - CABLE OPERATED



Did you know?
WIRQUIN invented the cable operated flush



Description	JOLLYFLUSH DUAL FLUSH MECHANISM - 2" & 1 1/2"	JOLLYFLUSH 2" & 1 1/2" DOC M FLUSH MECHANISM EASY FLUSH	KAYLA 2" & 1 1/2" DUAL FLUSH VALVE	WIRQUIN ONE 2" DUAL FLUSH VALVE
Reference	10120446	12050002	DVA0100	10120440
EAN code	5017134146400	3375537160860	5017134115376	5017134134247
Packaging	Box	Bag	Box	Box
Multiples / Pack	08 per outer / 160 per pallet	10 per outer / 200 per pallet	14 per outer / 210 per pallet	08 per outer / 160 per pallet
Height of cisterns (mm)	300 To 420	300 to 420	300 to 420	260 to 400 mm
Flush rate l/sec	2.2 Wras: 1.85	1.9 Wras: 1.85 (1 1/2") 2.2 Wras: 1.85 (2")	1.9 Wras: 1.85 (1 1/2") 2.2 Wras: 1.85 (2")	2.4
Button diameter	14 to 46 mm	14 to 46 mm	16 to 38 mm	40 mm
Mechanism outlet (inches)	1.5" or 2"	1.5" or 2"	1.5" or 2"	2"
Water saving	Dual flush	Single flush	Dual flush	Dual flush
Cable length	300 mm	300 mm	400 mm	N/A (Lid Locking)
Top or front mechanism	Top or front	Top or front	Top or front	Top
Main characteristics	Adjustable overflow (240 To 270mm).	Ideal for people with limited mobility. Raised button for easy flush. Adjustable overflow (240 to 270mm).	Multi full and part flush settings, adjustable overflow (190-330mm)	Suitable for 2" close coupled cisterns only.
Technical drawing				

FLUSH VALVES - LID LOCKING

FLUSH VALVES - PNEUMATIC OPERATED

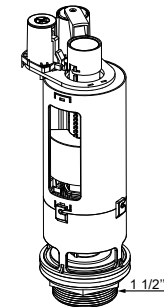
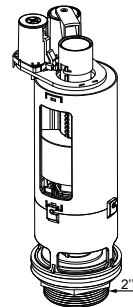


- ▶ Water saving dual flushing valve
- ▶ Adjustable Full and part flush volume settings
- ▶ Adjustable internal overflow, making it ideal for both new and retrofit installations
- ▶ Removable top for easy cleaning and replacement
- ▶ Flushpipe stops on the base for correct installation
- ▶ Easy clean seal for quick maintenance
- ▶ Suitable for use with our Pneu-Compact Cisterns
- ▶ WRAS approved



Description	KAYLA 2" DUAL FLUSH VALVE COMPLETE WITH KARA 72MM CHROME DUAL FLUSH PUSH BUTTON	KAYLA 2" DUAL FLUSH VALVE ONLY - NO BUTTON	KAYLA 1 1/2" SINGLE FLUSH VALVE ONLY NO BUTTON
Reference	DVA0500	DVA5200	DVA5350
EAN code	5017134116472	5017134119459	5017134120462
Packaging	Bag	Bag	Bag
Multiples / Pack	01/50	01/24	01/25
Flush rate l/sec	2.1	2.1	2.1
Mechanism outlet (inches)	2"	2"	1.5"
Water saving	Dual flush	Dual flush	Single flush
Air hose length	1.5m	1.5m	1.5m

Technical drawing



FLUSH VALVES

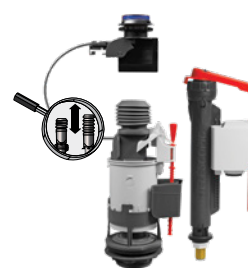
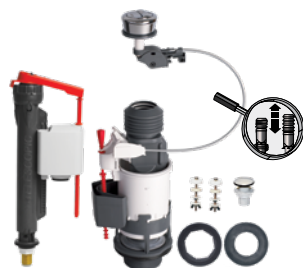
SIPHONS

INLET VALVES

URINAL FLUSHING

SPARES AND ACCESSORIES

FLUSH VALVES KITS



Description	JOLLYFLUSH TOP OR FRONT ACCESS 1 1/2" & 2" DUAL FLUSH MECHANISM + JOLLYFILL TELESCOPIC ADJUSTABLE INLET VALVE		JOLLYTRONIC 2" NO TOUCH BOTTOM ENTRY FLUSHING MECHANISM + JOLLYFILL TELESCOPIC ADJUSTABLE INLET VALVE	KAYLA CABLE OPERATED DUAL FLUSH VALVE 1 1/2" & 2" UNIVERSAL BOTTOM ENTRY CISTERN FITTING PACK
Reference	10120269		14010402	AV068
EAN code	5017134132700		3375537159475	5017134119169
Packaging	Box		Bag	Bag
Box / outer / pallet	06 per outer / 120 per pallet		10 per outer / 200 per pallet	10 per outer / 200 per pallet
Height of cisterns (mm)	300 to 420		300 to 420	300 to 420
Flush rate l/sec	1.9 WRAS: 1.85 (1 1/2") 2.2 WRAS: 1.85 (2")		1.9 WRAS: 1.85 (1 1/2") 2.2 WRAS: 1.85 (2")	1.9 WRAS: 1.85 (1 1/2") 2.2 WRAS: 1.85 (2")
Button diameter	14 to 46 mm		14 to 46 mm	16 to 38 mm
Mechanism outlet (inches)	1.5" or 2"		1.5" or 2"	1.5" or 2"
Water saving	Dual flush		Dual flush	Dual flush
Cable length	300 mm		300 mm	400 mm
Top or front mechanism	Top or front		Top or front	Top or front
Inlet valve	1/2" brass tail		1/2" plastic tail	1/2" plastic tail
Main characteristics	Universal flush kit complete replacement kit for 99% of bottom entry close coupled cisterns. Extendable overflow (240 to 270mm). Adjustable jollyfill telescopic, delayed action, space saving, inlet valve.		Universal flush kit complete replacement kit for 99% of bottom entry close coupled cisterns. Extendable overflow (240 to 270mm). Adjustable jollyfill telescopic, delayed action, space saving, inlet valve.	Battery operated (4 x AA) no touch infrared flushing valve Water Saving Eco Flush, Flush rate of 1.85 l/mn Suitable for 1.5" or 2" Mechanism outlet (inches) + Adjustable jollyfill telescopic, delayed action, inlet valve.
Technical drawing				

MACDEE MOTION

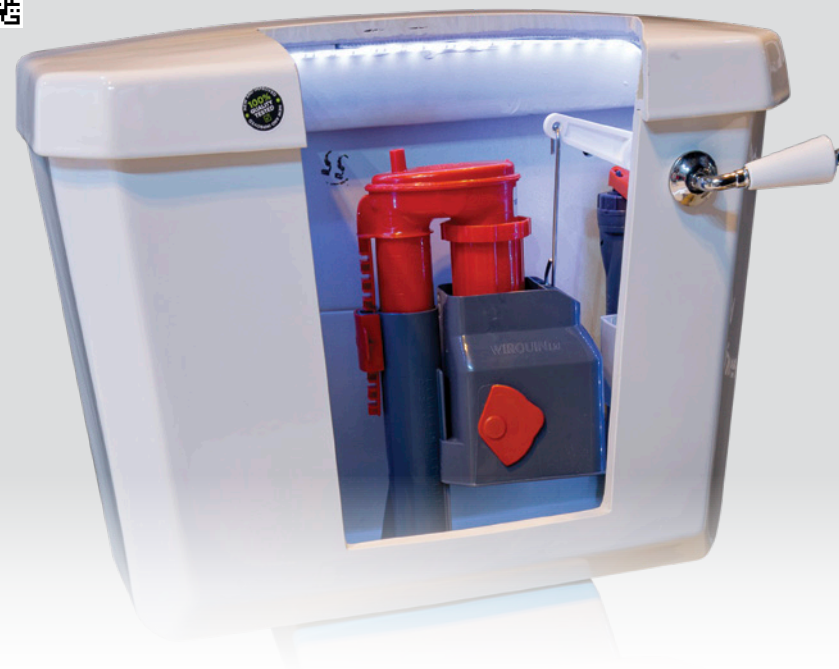
DUAL FLUSH SIPHON MACDEE MOTION



*Siphon only



- > UNIQUE FLAPPER
- > VERY COMPACT DESIGN
- > WIDEST RANGE OF HEIGHT OPTIONS ON THE MARKET
- > ADJUSTABLE FLUSH VOLUMES
- > COMES WITH 2 C-LINKS



Description	SIPHON ONLY	UNIVERSAL KIT
Reference	10120045	10120046
EAN code	5017134129816	5017134129823
Packaging	Box	Box
Box / outer / pallett	10 per outer 160 per pallet	5 per outer 120 per pallet

SIPHONS



3 PIECE SIPHON
 PACKAGING: BAG
 MULTIPLE/BOX QUANTITY: 01/10
 CONTROL SYSTEM: LEVER
 SINGLE FLUSH



HEIGHT	C-LINK		METRO RAPID - OBLONG	METRO RAPID - ROUND	METRO RAPID - SQUARE	METRO RAPID - D-SHAPE
7.5"	2 1/4"	Reference	DSY8725	DSY7125	DSY7925	DSD7125
		EAN code	5017134105209	5017134105025	5017134105124	5017134104622
8"	2 1/4"	Reference	DSY8825	DSY7225	DSY8025	DSD8225
		EAN code	5017134105216	5017134105032	5017134105131	5017134104639
8.5"	2 1/4"	Reference	DSY8875	DSY7275	-	-
		EAN code	5017134119589	5017134115154	-	-
9"	2 1/4"	Reference	DSY8925	DSY7325	DSY8125	DSD9325
		EAN code	5017134105223	5017134105049	5017134105148	5017134104646
9.5"	2 1/4"	Reference	DSY9025	DSY7425	DSY8225	DSD9425
		EAN code	5017134105230	5017134105056	5017134105155	5017134104653
10"	4 3/8"	Reference	DSY9138	-	-	DSD1538
		EAN code	5017134105247	-	-	5017134104592
10.5"	4 3/8"	Reference	DSY9238	-	-	DSD1638
		EAN code	5017134105254	-	-	5017134104608

NOTE: For internal overflow measure from the base of the cistern to the waterline and add 1", ensuring that the measurement is a minimum of 10mm below any aperture in the cistern to decide what height siphon is required for the installation.

- ▶ Ideal for use in standard size cisterns
- ▶ Metro Rapid has an easy to remove upper section allowing easy maintenance / replacement without the need to remove the cistern
- ▶ Flush volumes can be varied between 6/7/9 litres making it suitable for replacement installations
- ▶ All siphons come complete with siphon backnut, coupling nut, sealing washer and low level flush pipe seal as standard
- ▶ Internal overflow

- ▶ Ideal for use with compact narrow cisterns where space may be an issue
- ▶ Metro Rapid has an easy to remove upper section allowing easy maintenance / replacement without the need to remove the cistern
- ▶ All siphons supplied complete with siphon backnut, coupling nut, sealing washer and low level flush pipe seal as standard
- ▶ Internal overflow

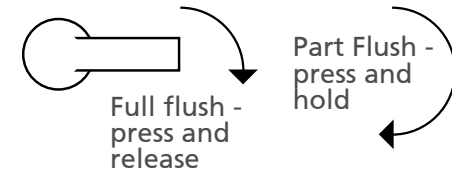
- ▶ Square shaped siphon is ideal for installation in narrow yet deep cisterns
- ▶ Metro Rapid has an easy to remove upper section allowing easy maintenance / replacement without the need to remove the cistern
- ▶ All siphons come complete with siphon backnut, coupling nut, sealing washer and low level flush pipe seal as standard
- ▶ Internal overflow

- ▶ Well suited for installation in slimline cisterns
- ▶ Metro Rapid has an easy to remove upper section allowing easy maintenance / replacement without the need to remove the cistern
- ▶ All siphons come complete with siphon backnut, coupling nut, sealing washer and low level flush pipe seal as standard
- ▶ Internal overflow

SIPHONS



- ▶ The Metro range is a well established siphon offering a high level of reliability
- ▶ On the Metro, flush volume can be varied between 6/7/9 litres, making it suitable for replacement installations
- ▶ All siphons come complete with siphon backnut, coupling nut, sealing washer and low level flush pipe seal as standard
- ▶ Complete with internal overflow
- ▶ WRAS approved



Description	METRO SINGLE FLUSH			METRO DUAL FLUSH		
	7 1/2" ONE PIECE SIPHON COMPLETE WITH 2 1/4 METAL C-LINK AND LOW LEVEL FLUSHPIPE SEAL	9 1/2" ONE PIECE SIPHON COMPLETE WITH 2 1/4 METAL C-LINK AND LOW LEVEL FLUSHPIPE SEAL	10" ONE PIECE SIPHON COMPLETE WITH 4 3/8 METAL C-LINK AND LOW LEVEL FLUSHPIPE SEAL	8" ONE PIECE SIPHON COMPLETE WITH 2 1/4 METAL C-LINK AND LOW LEVEL FLUSHPIPE SEAL	8 1/2" ONE PIECE SIPHON COMPLETE WITH 2 3/4 METAL C-LINK AND LOW LEVEL FLUSHPIPE SEAL	9" ONE PIECE SIPHON COMPLETE WITH 2 1/4 METAL C-LINK AND LOW LEVEL FLUSHPIPE SEAL
Reference	DSY0125	DSY0425	DSY0538	DSY0225	DSY0275	DSY0325
EAN code	5017134104769	5017134104790	5017134104813	5017134104776	5017134120097	5017134104783
Packaging	Bag	Bag	Bag	Bag	Bag	Bag
Multiple / Box qty	01/10	01/10	01/10	01/10	01/10	01/10
Mechanism base inches	1.5	1.5	1.5	1.5	1.5	1.5
Control system	Lever	Lever	Lever	Lever	Lever	Lever

NOTE: For internal overflow measure from the base of the cistern to the waterline and add 1", ensuring that the measurement is a minimum of 10mm below any aperture in the cistern to decide what height siphon is required for the installation.

METRO SIPHON SPARES



Description	METRO RAPID OR METRO ONE SIPHON DIAPHRAGM WASHER - OBLONG	LOW LEVEL METRO SIPHON SPARE KIT	METRO 2 1/4" METAL C-LINK	METRO 4 3/8" METAL C-LINK
Reference	10120576	10120579	10120580	10120581
EAN code	5017134147704	5017134147735	5017134147762	5017134147759
Packaging	Bag	Bag	Bag	Bag
Multiple / Box qty	Sold by 5's - Outer of 200 packs	01/80	Sold by 100's Outer of 6 packs	Sold by 100's Outer of 6 packs

INLET VALVES



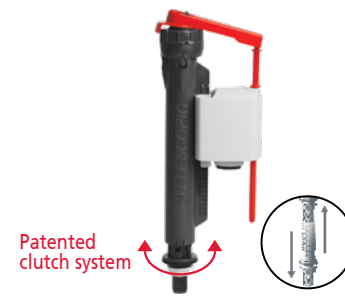
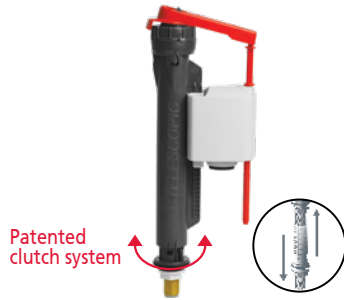
- > **AIR GAP RANGE:** No joint under water level.
- > **SAFE AND QUICK TO INSTALL.:** WIRQUIN AIR range is designed to eliminate risk of back flow of water into mains supply.

- ▶ BS1212: Part 3
- ▶ Supplied with high and low pressure seating and backnut
- ▶ Height variation: bottom entry pedestal
- ▶ 8 1/2" to 10" and arm length 7 1/4" to 8 1/4"

Description	SILENTA AIR INLET SIDE ENTRY BALL VALVE COMPLETE WITH 8 1/4" LEVER ARM DIVERTER HIGH AND LOW PRESSURE SEATING AND BACKNUTS	SILENTA AIR INLET SIDE ENTRY BALL VALVE COMPLETE WITH 9 1/4" LEVER ARM DIVERTER HIGH AND LOW PRESSURE SEATING AND BACKNUTS	SILENTA AIR INLET BOTTOM ENTRY BALL VALVE 8 1/2" CRANKED PEDESTAL COMPLETE WITH 7 1/4" LEVER ARM DIVERTER HIGH AND LOW PRESSURE SEATING WASHER AND BACKNUT	SILENTA AIR INLET BOTTOM ENTRY BALL VALVE 9 1/2" CRANKED PEDESTAL COMPLETE WITH 7 1/4" LEVER ARM DIVERTER HIGH AND LOW PRESSURE SEATING WASHER AND BACKNUT	SILENTA AIR INLET BOTTOM ENTRY BALL VALVE 8 1/2" CRANKED PEDESTAL COMPLETE WITH 8 1/4" LEVER ARM DIVERTER HIGH AND LOW PRESSURE SEATING WASHER AND BACKNUT	SILENTA AIR INLET BOTTOM ENTRY BALL VALVE 9 1/2" CRANKED PEDESTAL COMPLETE WITH 8 1/4" LEVER ARM DIVERTER HIGH AND LOW PRESSURE SEATING WASHER AND BACKNUT	SILENTA AIR INLET BOTTOM ENTRY BALL VALVE 10" CRANKED PEDESTAL COMPLETE WITH 8 1/4" LEVER ARM DIVERTER HIGH AND LOW PRESSURE SEATING WASHER AND BACKNUT
Reference	DVS1082	DVS1092	DVS3872	DVS3972	DVS3882	DVS3982	DVS3182
EAN code	5017134105452	5017134105469	5017134105520	5017134105551	5017134105537	5017134105568	5017134105506
Packaging	Bag	Bag	Bag	Bag	Bag	Bag	Bag
Multiple / Box qty	01/75	01/75	01/50	01/50	01/50	01/50	01/50
Inlet end	1/2" Plastic	1/2" Plastic	1/2" plastic	1/2" plastic	1/2" plastic	1/2" plastic	1/2" plastic
Filling rate at 0,1 bar	1.5L/min	1.5L/min	1.5L/min	1.5L/min	1.5 L/mn	1.5L/min	1.5L/min
Functioning range	0-1 to 14 bar	0-1 to 14 bar	0-1 bar to 14	0-1 bar to 14	0-1 bar to 14	0-1 bar to 14	0-1 bar to 14
Main characteristics	complete with fittings, quick and easy to install		complete with fittings, quick and easy to install				

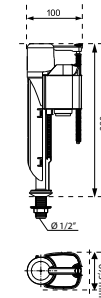
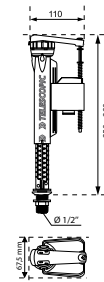
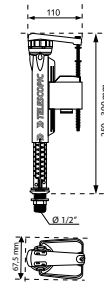
Suitable with DBS0420 or DBS0450 ball floats (See page 53)

INLET VALVES



Description	JOLLYFILL TELESCOPIC BOTTOM ENTRY INLET FLOAT VALVE		JOLLYFILL BOTTOM ENTRY INLET FLOAT VALVE
Reference	10120029	10120028	16100006
EAN code	5017134129434	5017134129311	3375537136759
Packaging	Box	Box	Bag
Multiple / Box qty	15 per outer / 300 per pallet		1 / 36
Inlet tail	1/2" Brass	1/2" Plastic	1/2" Plastic
Working range	0.1 Up to 16 bar	0.1 Up to 16 bar	0.1 Up to 16 bar
Resistant to peaks of pressure	Up to 20 bars	Up to 20 bars	Up to 20 bars
Water saving delayed action	Yes	Yes	Yes
Main characteristics	Patented clutch system against over tightening. Ultra quiet (17 decibels). Anti-siphoning. Eliminates water hammer. Water saving .		Ultra quiet (17 decibels). Anti-siphoning. Eliminates water hammer.

Technical drawing



INLET VALVES



Description	JOLLYFILL SIDE ENTRY INLET FLOAT VALVE		TOPY SIDE ENTRY INLET FLOAT VALVE	
Reference	10120033	10120034	16300601	16300501
EAN code	5017134129526	5017134129533	3375537160815	3375537161140
Packaging	Box	Box	Bag	Bag
Multiple / Box qty	15 per outer / 300 per pallet		60 per outer / 1060 per pallet	40 per outer / 1000 per pallet
Inlet end	1/2" plastic	1/2" brass	1/2" plastic	3/8" brass
Working range	0.1 up to 16 bar	0.1 up to 16 bar	0.1 up to 16 bar	0.1 up to 16 bar
Resistant to peaks of pressure	up to 20 bars	Up to 20 bars	Up to 20 bars	Up to 20 bars
Water saving delayed action	Yes	Yes	No	No
Main characteristics	180° head rotation ideal for narrow tanks. Ultra quiet (17 decibels). Anti-siphoning. Eliminates water hammer.	180° head rotation ideal for narrow tanks. Ultra quiet (17 decibels). Anti-siphoning. Eliminates water hammer.	Ultra compact.	Special for Uni Compact cistern. Ultra compact.
Technical drawing				

BALL FLOATS - SUPERFLOAT



Description	5" SPHERICAL FLOAT WITH 5/16" BSW BRASS INSERT	6" SPHERICAL FLOAT WITH 5/16" BSW BRASS INSERT	8" SPHERICAL FLOAT WITH 7/16" BSW BRASS INSERT	10" SPHERICAL FLOAT WITH 9/16" BSW BRASS INSERT	12" SPHERICAL FLOAT WITH 5/8" BSW BRASS INSERT
Reference	DBS0540	DBS0640	DBS0840	DBS1040	DBS1240
EAN code	5017134102918	5017134102949	5017134102987	5017134102994	5017134103007
Packaging	Bag	Bag	Bag	Bag	Bag
Multiple / Box qty	120 per outer / 600 per pallet	50 per outer / 300 per pallet	20 per outer / 100 per pallet	10 per outer / 50 per pallet	5 per outer / 25 per pallet

BALL FLOATS - SUPERFLOAT



Description	4 1/2" SPHERICAL FLOAT WITH 5/16" BSW BRASS INSERT, PACKED AND SOLD IN 10S	4 1/2" SPHERICAL FLOAT WITH PLASTIC THREADS, PACKED AND SOLD IN 10S	4 1/2" CYLINDRICAL FLOAT WITH PLASTIC THREADS, PACKED AND SOLD IN 10S
Reference	DBS0420	DBS0450	DBC0440
EAN code	5017134102864	5017134102901	5017134102796
Packaging	Bag	Bag	Bag
Multiple / Box qty	10 per outer / 900 per pallet	10 per outer / 900 per pallet	10 per outer / 900 per pallet

Suitable with all Silenta Air inlet valves

URINAL Flushing

URINAL BOWL PIPEWORK (EXCLUDING SPREADERS)

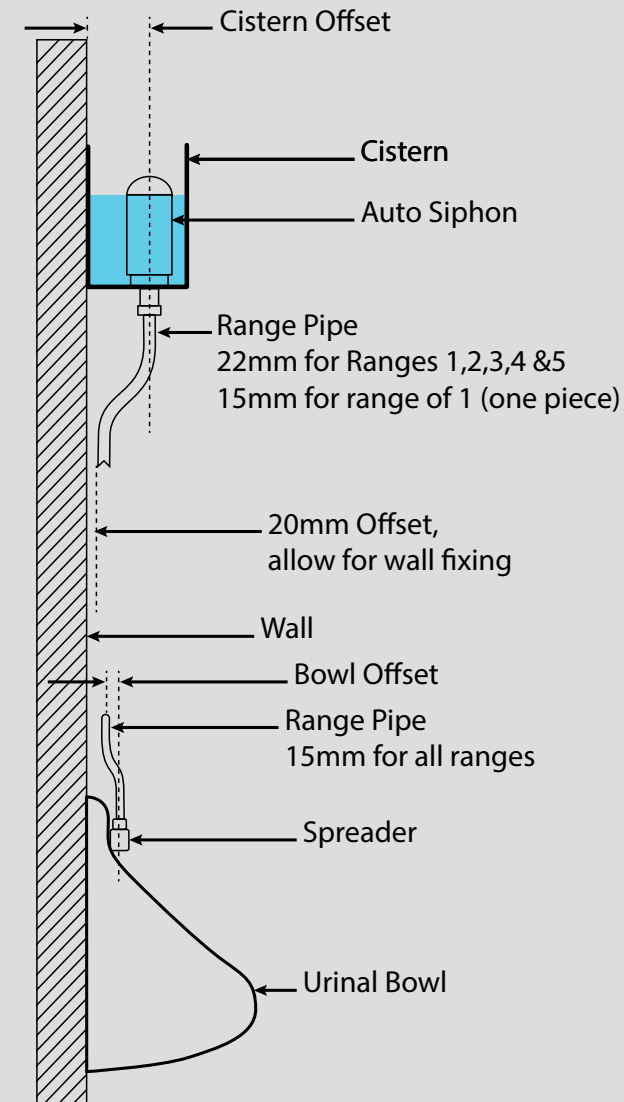
Choosing the correct range for your installation

Cistern Offset

- ▶ The cistern offset is the distance from the back of the wall to the centre of the cistern hole. Please note that for any measurements outside of the sizes stated, the nearest one should be used. For example if the measurement is 70mm, the required offset would be 74mm.

Bowl Offset

- ▶ The bowl offset is determined by the distance required to allow the 15mm pipe to fit the suitable spreader when fixed to the urinal bowl. Concealed installations will generally have no offsets.



NO. OF BOWLS X OFFSET	74MM CISTERN OFFSET	90MM CISTERN OFFSET
1 X NO OFFSET	UFA11CP	UFA21CP
1 X 23MM OFFSET	UFA12CP	UFA22CP
2 X NO OFFSET	UFB11CP	UFB21CP
2 X 23MM OFFSET	UFB12CP	UFB22CP
3 X NO OFFSET	UFC11CP	UFC21CP
3 X 23MM OFFSET	UFC12CP	UFC22CP
4 X NO OFFSET	-	UFD21CP
4 X 23MM OFFSET	UFD12CP	UFD22CP
MAIN CHARACTERISTICS	SUITABLE FOR MOST CERAMIC CISTERNS	SUITABLE WITH ALL SILENTA AIR INLET VALVES

BRASS BODY

PLASTIC BODY



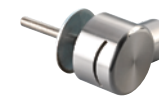
Description	1 1/2" STAINLESS STEEL DOME, PLASTIC BACKNUT	1 1/4" PLASTIC BACKNUT	1 1/2" PLASTIC BACKNUT	1 1/2" PLASTIC BACKNUT
Reference	WUS02SS	WUS51WH	WUS52WH	WUS54WH
EAN code	5024139096814	5024139006370	5024139006363	7654321019697
Packaging	Box	Bag	Bag	Bag
Multiple / Box qty	01/50	01/10	01/10	01/10
Tail length mm	88 mm	50 mm	50 mm	90 mm
Technical drawing				

AUTO SIPHONS

URINAL SPREADERS



- ▶ Suitable for concealed or exposed plastic or ceramic cisterns
- ▶ Easy to remove siphon for routine maintenance
- ▶ Compatible with Wirquin urinal flushing range



Description	1" OUTLET			1/2" PETCOCK	EXPOSED ONLY		CONCEALED ONLY
	1 GALLON/4.5L	2 GALLON/9L	3 GALLON/13.6L		15MM TOP INLET	15MM SANURA TOP INLET	15MM BACK INLET, 3" TAIL
Reference	10120572	10120573	10120574	10120575	USB36CP	UST43CP	USB38CP
EAN code	5017134147667	5017134147674	5017134147681	5017134147698	5024139100719	5024139078964	5024139073006
Packaging	Bag	Bag	Bag	Bag	Bag	Bag	Bag
Multiple / Box qty	25 per outer / 500 per pallet	25 per outer / 500 per pallet	25 per outer / 500 per pallet	25 per outer / 500 per pallet	1	1	1

SPARES AND ACCESSORIES



Description	JOLLYFLUSH OVERFLOW WASHER FOR FLUSHING (MOQ 5)	JOLLYFLUSH DUAL FLUSH CHROME PUSH BUTTON (GREY CABLE) (MOQ 5)	JOLLYFLUSH DUAL FLUSH CHROME PUSH BUTTON (FOR WHITE, GREEN OR BLUE CABLE)	JOLLYFLUSH SINGLE FLUSH CHROME PUSH BUTTON***	JOLLYFLUSH DOC M SINGLE FLUSH CHROME PUSH BUTTON***	JOLLYFLUSH GREY CABLE FOR MW2 AND JOLLYFLUSH FLUSHING VALVE	KARA 72MM CHROME DUAL FLUSH PUSH BUTTON*	KARA 50MM CHROME DUAL FLUSH PUSH BUTTON*	KARA 50MM CHROME SINGLE FLUSH PUSH BUTTON**	SILENTA BALL VALVE DIAPHRAGM WASHER	JOLLYFILL /TOPY INLET SPARE
Reference	10717748	10717795	19008001	19007001	10717796	19080001	SYG610CP	SYG611CP	SYG609CP	10120582	10717797
EAN code	3375537177158	3375537177622	3375539046223	3375539046216	3375537177639	3375537162505	5017134119343	5017134119350	5017134119374	5017134147766	3375537177646
Packaging	Bag	Bag	Bag	Bag	Bag	Bag	Bag	Bag	Bag	Bag	Bag
Multiple / Box qty	5	1	1	1	1	1	1	1	1	10	1

*Compatible with Kayla dual flush pneumatic flush valve only. **Compatible with Kayla single flush pneumatic valve only. *** Compatible with Jollyflush cable valve only.

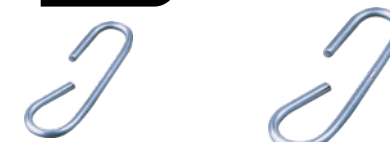
DIAPHRAGMS



SIPHON SPARES



C-LINKS



Description	METRO RAPID OR METRO ONE SIPHON DIAPHRAGM WASHER - OBLONG	METRO RAPID DIAPHRAGM WASHER - SQUARE	METRO RAPID DIAPHRAGM - WASHER - ROUND	METRO RAPID DIAPHRAGM WASHER - D SHAPE	LOW LEVEL METRO SIPHON SPARE KIT	METRO 2 1/4" METAL C-LINK	METRO 4 3/8" METAL C-LINK
Reference	10120576	10120568	10120577	10120578	10120579	10120580	10120581
EAN code	5017134147704	5017134147629	5017134147711	5017134147728	5017134147735	5017134147762	5017134147759
Packaging	Bag	Bag	Bag	Bag	Bag	Bag	Bag
Multiple / Box qty	05 individual / 1000 per outer / 4000 per pallet				01/80	Sold by 100's Outer of 6 packs	