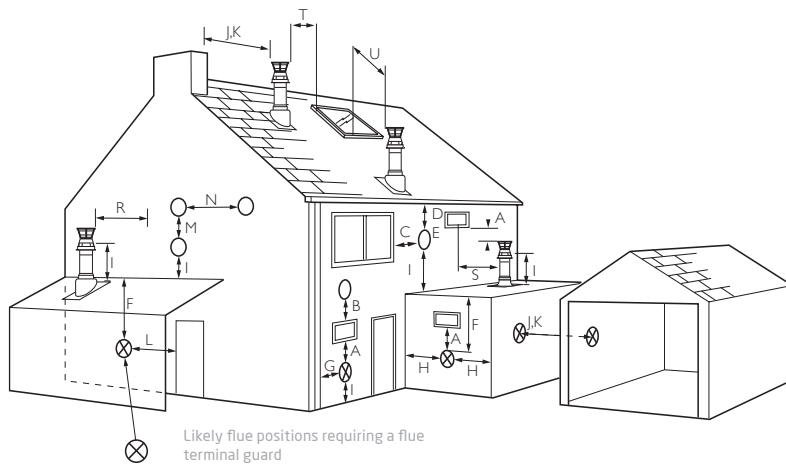


# Flue solutions

Multifit flue kits come with positive screw fixings for all connections and are available in a choice of lengths to reduce the need for onsite cutting. We offer a choice of colour for the terminals to match existing rainwater systems.

	Flue type	Group A	Group G
Maximum permissible equivalent flue lengths for Baxi combi and system boilers are:	Horizontal concentric	10m	20m
	Vertical concentric	10m	20m
Maximum permissible equivalent flue lengths for Baxi heat only boilers are:	Horizontal concentric	6m	12m
	Vertical concentric	6m	12m

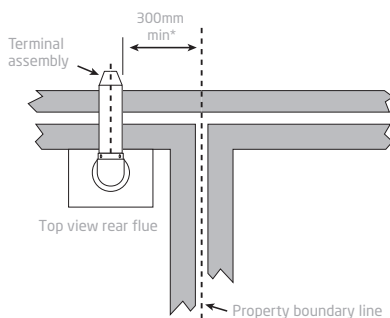
	Flue type	Group A	Reduction for each bend
Where inline bends are required in a flue system, the overall length must be reduced by the following amounts:	Concentric pipes	135° bend	0.5m
		93° bend	1m



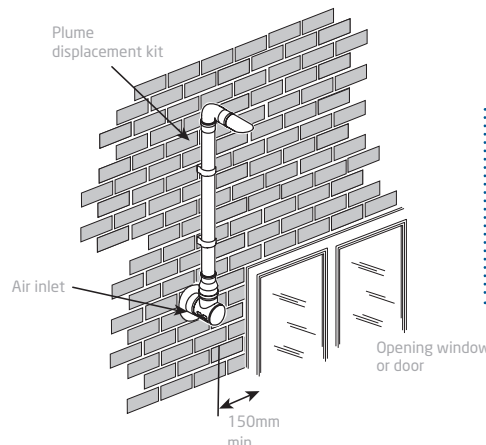
## Terminal position with minimum distance (mm)

A <sup>1</sup> Directly below an opening, air brick, opening windows etc	300
B <sup>1</sup> Above an opening, air brick, opening window etc	300
C <sup>1</sup> Horizontally to an opening, air brick, opening window etc	300
D <sup>2</sup> Below gutters, soil pipes or drain pipes	25
E <sup>2</sup> Below eaves	25
F <sup>2</sup> Below balconies or car port roof	25
G <sup>2</sup> From a vertical drain pipe or soil pipe	25
H <sup>2</sup> From an internal or external corner	25
I Above ground, roof or balcony level	300
J From a surface or boundary line facing a terminal	600
K From a terminal facing a terminal (Horizontal flue)	1200
K From a terminal facing a terminal (Vertical flue)	600
L From an opening in a carport (e.g. door, window) into the dwelling	1200
M Vertically from a terminal on the same wall	1500
N Horizontally from a terminal on the same wall	300
R From adjacent wall to flue (vertical only)	300
S From an adjacent opening window (vertical only)	300
T Adjacent to windows or openings on pitched and flat roofs	600
U Below windows or openings on pitched roofs	2000

- In addition, the terminal should be no nearer than 150mm to an opening in the building fabric formed for the purpose of accommodating a built-in element such as a window frame.
- Only ONE 25mm clearance is allowed per installation. If one of the dimensions D, E, F, G or H is 25mm then the remainder MUST be as B.S.5440-1.



**NOTE:** The distance from a fanned draught appliance terminal installed parallel to a boundary may not be less than 300mm in accordance with the diagram.



**IMPORTANT:** If fitting a Plume Displacement Flue Kit, the air inlet must be a minimum of 150mm from any opening windows or doors

See next page for how flues can be run externally after 1 September 2021.

# Flue solutions

Applicable from 01/09/21

## 60/100 & 80/125 Concentric Flue Systems

It is preferable that only the flue terminal protrudes from the wall. However, where circumstances dictate, it is permissible for the air duct (white tube) to be visible outside the property up to a maximum distance of 100mm (Fig. 1), providing the flue is adequately supported and conforms to the appropriate sections of B.S.5440:1, the boiler Installation Manual, flue guide and this addendum.

If the flue is greater than 25mm below a balcony, car port or similar the flue may protrude up to a maximum distance of 500mm 'V' (Fig. 2).

Where the flue will terminate beyond a balcony, car port or similar and the distance between the flue and underside of the balcony, car port or similar is only 25mm at 'Z' it must protrude 100mm 'Y' beyond the outer edge (Fig. 3).

Where the flue exits under a balcony, car port or similar in excess of 500mm, the distance between the flue and underside of the balcony, car port or similar MUST be 25mm at 'Z' and this can be achieved with the use of elbows (Fig. 4). It is also a requirement that the flue must protrude 100mm 'Y' beyond the outer edge (Fig. 3).

The horizontal 60/100 & 80/125 flue systems, including bends and extensions, are UV stable.

If any flue joint is external to the property, seal the joint with silicone sealant suitable for external use, not the tape supplied.

The maximum equivalent flue lengths as stated in the appropriate boiler Installation and Service Manual must not be exceeded.

The flue must always be installed with a fall of at least 1.5° from the terminal to allow condensate to run back to the boiler.

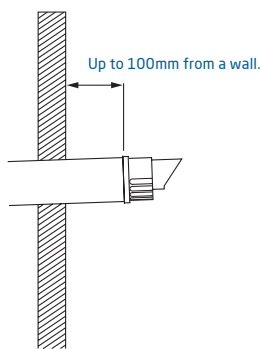


Fig 1

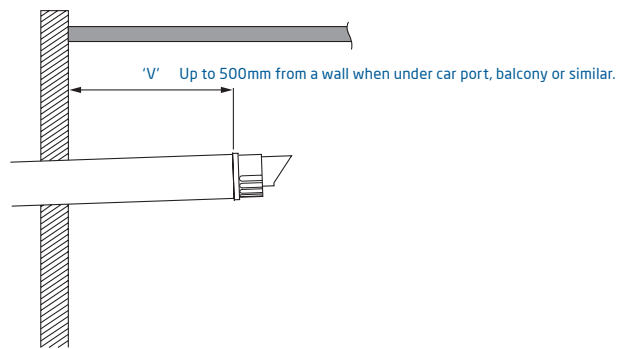


Fig 2

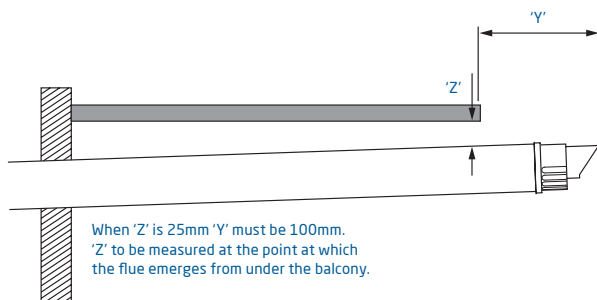


Fig 3

When 'Z' is 25mm 'Y' must be 100mm.  
'Z' to be measured at the point at which the flue emerges from under the balcony.

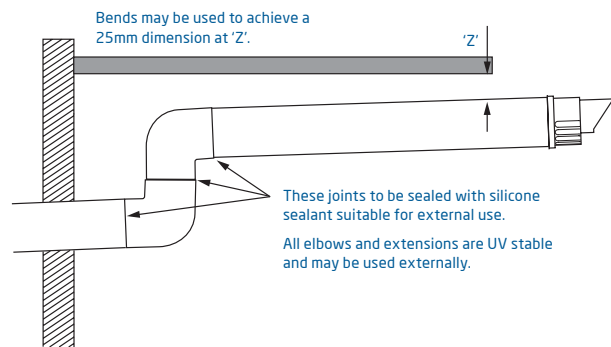


Fig 4

Note: For clarity support brackets are not shown in these illustrations.

# Flue solutions

Concentric flues Ø 60/100mm, now with UV stable paint  
Multifit Flue Group A



Horizontal telescopic flue inc. low profile elbow and fixing screws

COLOUR  
White pipe / white terminal  
SPECIFICATION  
315mm - 500mm  
DIAMETER  
60/100mm  
SALES CODE  
720599401



Horizontal telescopic flue inc. low profile elbow and fixing screws

COLOUR  
White pipe / black terminal  
SPECIFICATION  
315mm - 500mm  
DIAMETER  
60/100mm  
SALES CODE  
720598701



Horizontal telescopic flue inc. low profile elbow and fixing screws

COLOUR  
White pipe / brown terminal  
SPECIFICATION  
315mm - 500mm  
DIAMETER  
60/100mm  
SALES CODE  
720642701



Standard horizontal flue inc. low profile elbow and fixing screws\*

COLOUR  
White pipe / black terminal  
SPECIFICATION  
685mm  
DIAMETER  
60/100mm  
SALES CODE  
7222019



135° flue bend inc. fixing screws

COLOUR  
White  
SPECIFICATION  
135°  
DIAMETER  
60/100mm  
SALES CODE  
720648501



1.8m High Rise Horizontal Terminal 60/100

COLOUR  
White pipe/black terminal  
SPECIFICATION  
1800mm  
DIAMETER  
60/100mm  
SALES CODE  
7778067



2m High Rise Extension

COLOUR  
White  
SPECIFICATION  
2000mm  
DIAMETER  
60/100mm  
SALES CODE  
7778230



135° flue bend inc. fixing screws (pair)

COLOUR  
White  
SPECIFICATION  
135°  
DIAMETER  
60/100mm  
SALES CODE  
720647901



93° flue bend inc. fixing screws

COLOUR  
White  
SPECIFICATION  
93°  
DIAMETER  
60/100mm  
SALES CODE  
720648401



Flue terminal deflector

COLOUR  
White  
DIAMETER  
60mm  
SALES CODE  
720644201



Flue terminal deflector

COLOUR  
Black  
DIAMETER  
60mm  
SALES CODE  
5111068



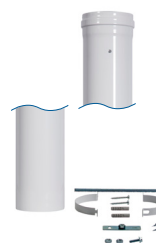
Flue terminal deflector

COLOUR  
Brown  
DIAMETER  
60/100mm  
SALES CODE  
720644301



1m flue extension inc. fixing screws

COLOUR  
White pipe  
SPECIFICATION  
1000mm  
DIAMETER  
60/100mm  
SALES CODE  
720648801



0.5m flue extension inc. fixing screws

COLOUR  
White pipe  
SPECIFICATION  
500mm  
DIAMETER  
60/100mm  
SALES CODE  
720643001



0.25m flue extension inc. fixing screws

COLOUR  
White pipe  
SPECIFICATION  
250mm  
DIAMETER  
60/100mm  
SALES CODE  
720643101



Offset adaptor elbow

COLOUR  
White pipe  
DIAMETER  
60/100mm  
SALES CODE  
720635501



Stainless steel terminal guard - Ø 60/100

COLOUR  
S/S  
SPECIFICATION  
Stainless Steel  
DIAMETER  
>100mm  
SALES CODE  
720627901



Vertical flue terminal

COLOUR  
Black  
DIAMETER  
60/100mm  
SALES CODE  
5118576



Vertical ridge flue terminal

COLOUR  
Brown  
DIAMETER  
60/100mm  
SALES CODE  
720647101



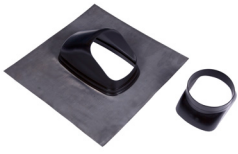
Roof cover plate

DIAMETER  
125mm  
SALES CODE  
246143

\*not compatible with 720627001 or 720622901

# Flue solutions

Plume displacement kits Ø 60/100mm  
Multifit Flue Group A



**Pitched roof flashing**

SPECIFICATION  
**25°/50°**  
DIAMETER  
**125mm**  
SALES CODE  
**5122151**



**Flat roof flashing**

DIAMETER  
**125mm**  
SALES CODE  
**246144**



**Plume displacement terminal kit for telescopic flue inc. 1m extension and brackets\*\***

COLOUR  
**White**

DIAMETER  
**60mm**  
SALES CODE  
**720627001**

\*\*Only compatible with 720599401



**Plume displacement terminal kit for telescopic flue inc. 1m extension and brackets\*\*\***

COLOUR  
**Black**

DIAMETER  
**60mm**  
SALES CODE  
**720622901**

\*\*\*Only compatible with 720598701



**Plume displacement kit extension and brackets**

COLOUR  
**White**  
SPECIFICATION  
**1000mm**

DIAMETER  
**60mm**  
SALES CODE  
**720643401**



**Plume displacement kit extension and brackets**

COLOUR  
**Black**  
SPECIFICATION  
**1000mm**

DIAMETER  
**60mm**  
SALES CODE  
**720643301**



**Standard horizontal flue including plume displacement kit**

COLOUR  
**White**  
SPECIFICATION  
**Includes flue kit and plume displacement**

DIAMETER  
**60/100mm**  
SALES CODE  
**7225717**



**Standard horizontal flue including plume displacement kit**

COLOUR  
**Black**

SPECIFICATION  
**Includes flue kit and plume displacement**  
DIAMETER  
**60/100mm**  
SALES CODE  
**7225716**



**Plume displacement kit bend**

COLOUR  
**White**  
SPECIFICATION  
**93°**  
DIAMETER  
**60mm**  
SALES CODE  
**5121369**



**Plume displacement kit bend - pair**

COLOUR  
**White**  
SPECIFICATION  
**135°**  
DIAMETER  
**60mm**  
SALES CODE  
**5121370**



**Plume displacement kit bend**

COLOUR  
**Black**  
SPECIFICATION  
**93°**  
DIAMETER  
**60mm**  
SALES CODE  
**720648701**



**Plume displacement kit bend - pair**

COLOUR  
**Black**  
SPECIFICATION  
**135°**  
DIAMETER  
**60mm**  
SALES CODE  
**720648601**



**Plume displacement terminal guard**

COLOUR  
**Stainless steel**  
SPECIFICATION  
**100mm**  
DIAMETER  
**60mm**  
SALES CODE  
**720644601**



**Under balcony eaves flue kit**

COLOUR  
**White**

DIAMETER  
**60mm**  
SALES CODE  
**7211039**



**Under balcony eaves flue kit**

COLOUR  
**Black**

DIAMETER  
**60mm**  
SALES CODE  
**7211041**



**High Rise Plume Displacement Kit (PDK)**

COLOUR  
**Black**

DIAMETER  
**60/100mm**  
SALES CODE  
**7778272**

# Flue solutions

Concentric flues Ø 80/125mm, now with UV stable paint  
**Multifit Flue Group G**



Horizontal flue inc. boiler and terminal adaptors

COLOUR  
Black

DIAMETER  
80/125mm  
SALES CODE  
5118580



1m flue extension

COLOUR  
White  
SPECIFICATION  
1000mm  
DIAMETER  
80/125mm  
SALES CODE  
5118584



Flue bend

COLOUR  
White  
SPECIFICATION  
91.5°  
DIAMETER  
80/125mm  
SALES CODE  
5118588



Flue bend (pair)

COLOUR  
White  
SPECIFICATION  
135°  
DIAMETER  
80/125mm  
SALES CODE  
5118597



Pipe support bracket

COLOUR  
White  
SPECIFICATION  
125mm flue pipes  
DIAMETER  
125mm  
SALES CODE  
5118610



Vertical flue terminal

COLOUR  
Black

DIAMETER  
80/125mm  
SALES CODE  
5111078



Roof cover plate

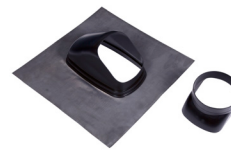
DIAMETER  
125mm  
SALES CODE  
246143



Flue vertical adaptor

COLOUR  
White

DIAMETER  
80/125mm to 60/100mm  
SALES CODE  
5111070



Pitched roof flashing

SPECIFICATION  
25°/50°  
DIAMETER  
125mm  
SALES CODE  
5122151



Flat roof flashing

DIAMETER  
125mm  
SALES CODE  
246144

# Flue solutions

**Baxi Multifit IFOS**  
(In Flue Outdoor Sensor)



Multifit IFOS (Combi)

Horizontal and vertical flue terminal sensor clips

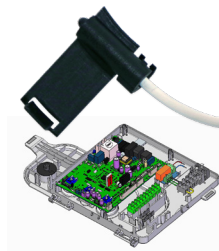
SALES CODE  
7724181



Multifit IFOS Extension

Extends length of IFOS kits by up to 5 metres

SALES CODE  
7724260



Multifit IFOS System

Compatible with  
Baxi 600 System  
Potterton Assure System  
Main Eco Compact System

SALES CODE  
7729979



Multifit Ridge Tile IFOS

Ridge tile terminal pre-installed with IFOS

SALES CODE  
7729943