

Baxi Assure FGHR

Flue Gas Heat Recovery unit

Designed specifically to increase a new build property's SAP performance and improve EPCs for refurbishments, our innovative flue gas heat recovery device recycles heat from the flue to save energy and reduce emissions. Compatible with Assure Combi and System boilers, the Baxi Assure FGHR is maintenance-free and does not require regular servicing.



**EXCELLENT
SAP
BENEFITS**



**REDUCES
RUNNING
COSTS**



**KIND
TO THE
ENVIRONMENT**



**NO NEED
FOR REGULAR
SERVICING**



Easy to install

- Hanging bracket and pre-formed pipes are supplied to ensure accurate positioning and connection to the boiler
- Rear pipe channel on both FGHR and boiler allows for a quick and tidy installation
- Reduced flue plumbing allows for more flexible siting
- Installation lift weight is only 12.5kg
- Rear flue helps reduce footprint of the boiler

Cost effective

- Transfers heat from the flue gases into the cold water feed for DHW meaning less gas consumption and reduced water wastage from user running tap to get to desired temperature
- Reduces dwelling emissions rate and provides excellent SAP benefits
- Helps save money on utility bills

User-friendly

- Whisper quiet operation so will not cause disturbance in living areas
- No moving parts, so no annual service or maintenance required
- Suitable for new build and refurbishment projects

Compliant

- Complies with Boiler Plus legislation under FGHR measure
- WRAS Approved so complies with water supply regulations and bylaws

Compatible

- Compatible with Baxi Assure, Baxi 800 and Baxi 600 Combi and System boilers

Technical details

	UNITS	Baxi FGHR
Product code		7749897
Product Characteristics Database (PCDB)		060047
DOMESTIC HOT WATER CIRCUIT		
Maximum inlet circuit pressures	bar	3*
Minimum operating circuit pressures	bar	0.2
Maximum flow rate	l / min	up to 15 [#]
Minimum flow rate	l / min	2.5
CONNECTIONS (STAINLESS STEEL)		
Cold water mains inlet	mm	15
Pre-heated mains outlet	mm	15
DIMENSIONS		
Casing height	mm	345
Casing width	mm	390
Casing depth	mm	280
Overall depth	mm	285
WEIGHTS		
Packaged weight	kg	14.5
Installation lift weight	kg	12.5
Weight - full	kg	19.5
CLEARANCES		
Above casing	mm	175
Below casing	mm	80
Front - for inspection	mm	450
Front - in operation	mm	5
Left and right hand sides	mm	5

* If required fit a pressure reducing device to achieve this.

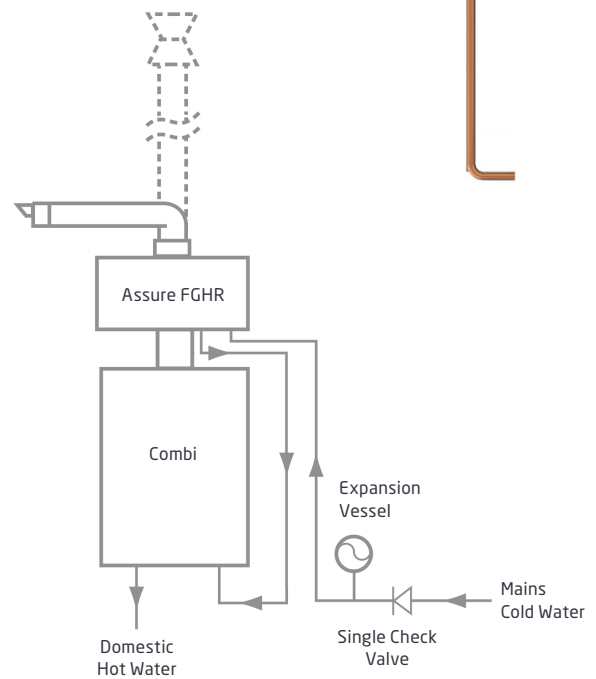
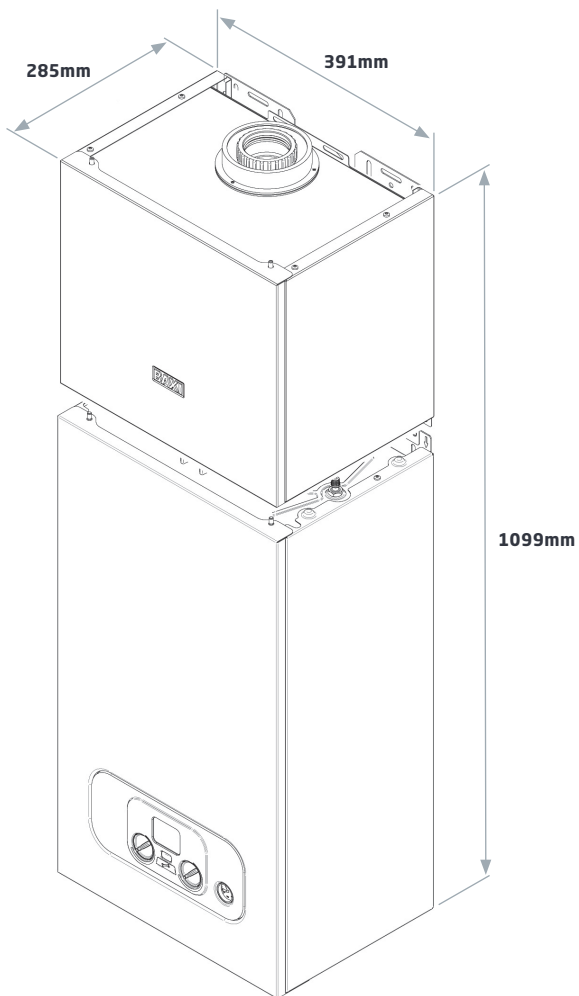
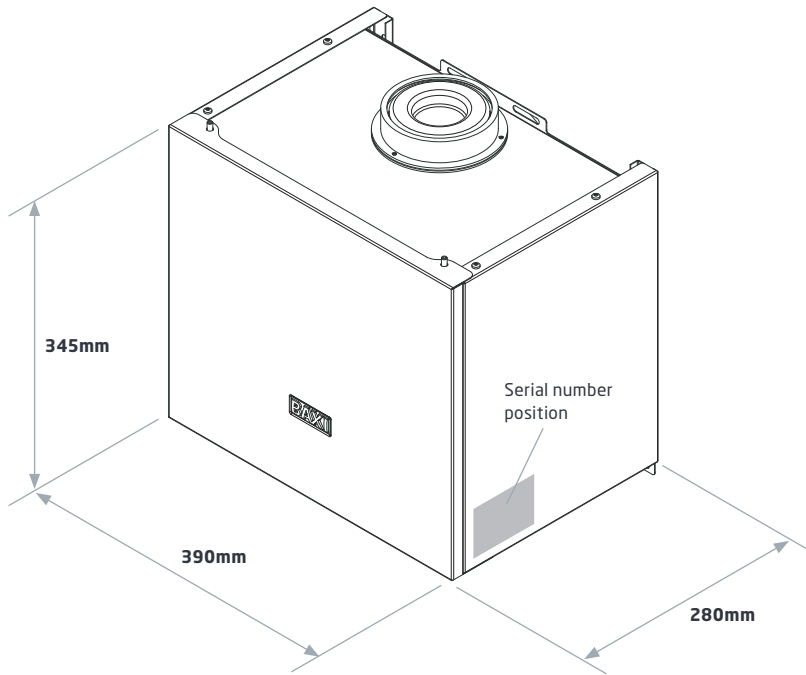
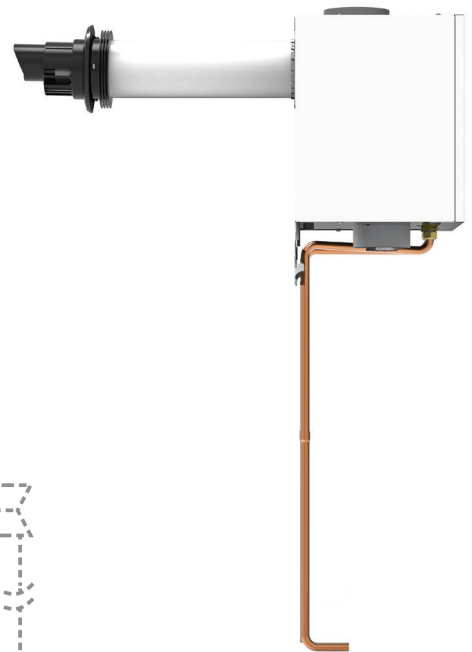
[#] Depending on boiler model.



INSIDE THE UNIT



REAR FLUE



How we can help you

With Baxi, the heating system is only part of the story. We're also passionate about giving you the service and support you need, for the lifetime of your Baxi product.

Baxi Design

Our design service team will plan and configure installations around each property's unique requirements, free of charge.

Baxi Genuine Parts

We have a full range of approved spares and quality heating essentials for all Baxi Assure products. Visit baxi.co.uk/genuineparts for more information.

Literature and BIM libraries

We have installation instructions, user guides and BIM files for our product ranges, available at baxi.co.uk/specification

Unique service plans

We provide comprehensive homeowner maintenance and support plans.

Baxi Project Hub

Baxi Project Hub is our intuitive project management portal, where specifiers and contractors can register Warranty and Gas Safe notifications for Baxi Assure installed products. There's also the Project Hub app, so that warranty registrations and Gas Safe notifications can be done on site. Visit baxi.co.uk/projecthub or speak to your Business Development Manager to find out more.

Product Training

We offer practical, hands-on courses, covering all Baxi Assure products. They're carried out by qualified experts at our state-of-the-art training centres nationwide. Visit baxi.co.uk/assuretraining or speak to your Business Development Manager to find out more.

Expert service and support

We're always here to help with product queries, installations and maintenance. Visit baxi.co.uk/trade/technical-support or call our Technical Support Helpline on **0344 871 1525** for more information.

For everything else

Contact your Business Development Manager or Specification Manager at baxi.co.uk/assure for more information.

Baxi Assure, The Complete Home Service

As the UK moves towards a carbon neutral future alongside an ever growing demand for housing, providers are having to take a fresh approach. That means more tenanted social housing, and more economical, energy efficient new homes.

With our fresh approach, we'll make sure we deliver the reliable, efficient heating and hot water solutions our specification partners need – for today and tomorrow.

The Baxi Assure range of solutions does just that, with a broad range of boiler, cylinder and low-carbon product packages to suit any new build or refurbished property.

Find out more at baxi.co.uk/specification