

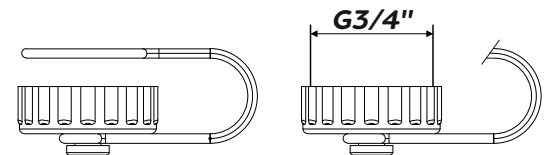
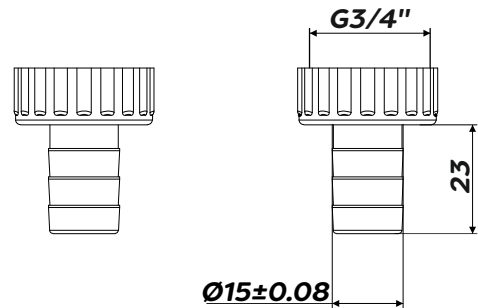
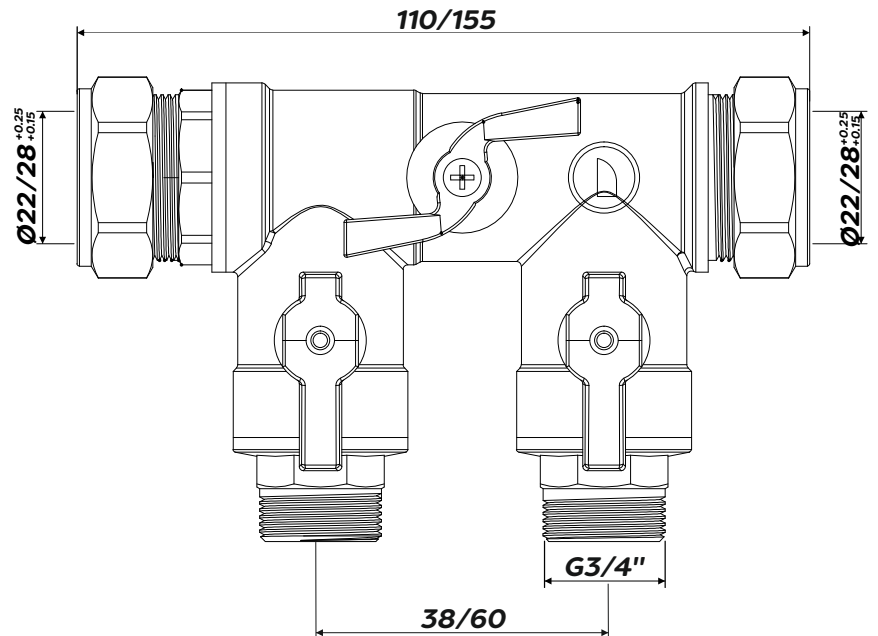
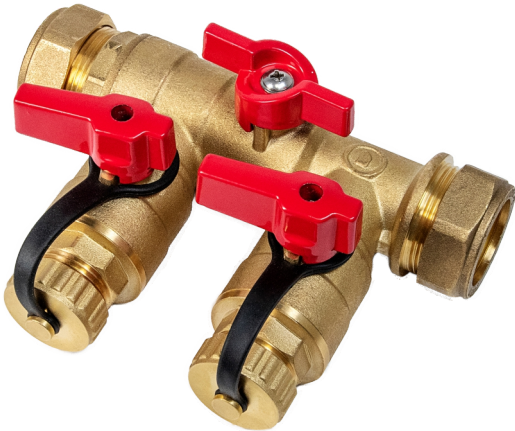
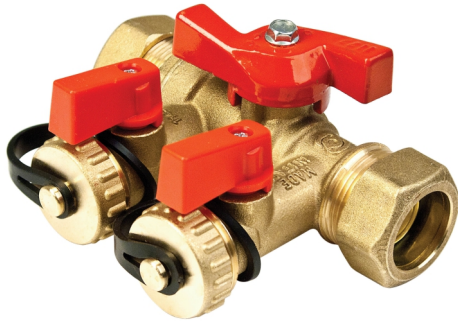
Product

INFAF22 - 22mm Fill & Flush Valve

INFAF28 - 28mm Fill & Flush Valve

Technical Specification

Maximum Operating Temperature:	99°C
Minimum Operating Temperature:	-5°C
Maximum Pressure (Static):	16 Bar
Medium:	Water / Glycol up to 50%



Additional Information

Allows simple and easy filling and flushing in one convenient fitting

Available with 22mm or 28mm compression fittings

Complete with cover caps to stop dust build up or accidental discharge when not in use

Brass construction