

# Thermostatic Mixing Valve (TMV) 15mm

## ILLUSTRATED

A5900 TMV thermostatic mixing valve, 15mm

### ILLUSTRATED PRODUCT DETAILS

#### Weights

A5900 0.50 KG

#### Finishes

A5900  Chrome (AA)

#### Materials

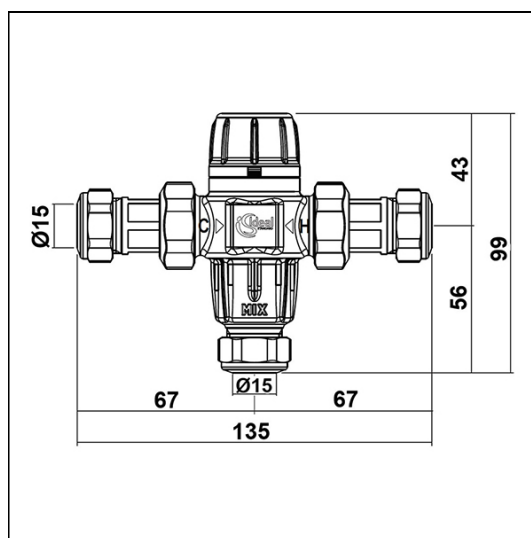
A5900 Chrome Plated Metal

#### Standards

TMV3 meets the requirements of the NHS Model Engineering Specification-D08 Valves. TMV 2 meets BS EN 1111 & BS EN 1287.

#### Special Notes

Operating pressures from 0.2 to 5.0 bar, 10 bar static pressure.  
Recommended supply temperatures, Hot 52°C-65°C, Cold 5°C-20°C. For best results both supplies should be at equal pressures.



### ACCREDITATIONS



1711034

### FEATURES

