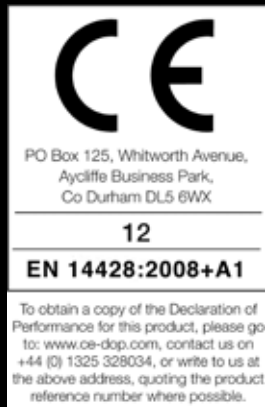


Pivot Door

Instruction Manual

H3P



IMPORTANT INFORMATION

- Toughened glass is completely safe for use in our shower enclosures and bath screens; providing our products are installed according to our guidelines.
- It is important to note that the glass must not be mounted or 'pinched' in such a way that would cause a stress point to develop in the glass. In addition, it must not be subject to any sharp impact or severe temperature fluctuation which may also cause a stress point to develop in the glass.
- Toughened glass is physically and thermally significantly stronger than standard glass. During the toughening process the stresses contained within any glass are balanced so if in the unlikely event situation any of the above occurs and the glass breaks, the glass will shatter safely into small thumbnail sized blunt fragments.

PRE-INSTALLATION CHECKS

1. Check you have the correct product. Please look at the labels on the side of the product packaging.
2. Check all the product components are in the box and the fixing kits.
3. Unpack your product and handle it with care.
4. Please check the product for defects or damage, once the installation has commenced we cannot accept responsibility for any defects or damage.
5. Please take time to read these instructions prior to installing your product.
6. Before you commence any drilling check there are no hidden electrical cables and/or water pipes.
7. No attempt should be made to re-work the toughened safety glass.
8. The installation of the product should be performed by two persons.
9. It is strongly recommended that the walls the product is going to be installed on are vertical.
10. It is strongly recommended the product is fitted on a tiled surface or similar waterproof surface.
11. It is strongly recommended the walls are tiled and grouted before the product is installed.
12. If the walls and/or the tray are not level you will not achieve maximum adjustment of the product.
13. Pictures used are for illustration purposes only, product designs may alter slightly as a result of continuing product development.
14. We do not stipulate where the European Standard Kite Mark should be positioned on the glass when being factory assembled.
15. Please note that some natural misting may occur when you remove this product from its packaging, due to the addition of the glass protection pre-coating. If this does occur this can easily be removed with a soft, dry cloth.

Component Check List: Supplied

Description	Quantity
Wall Profiles	2
Pivot Door	1
Top Caps	2
Pivot Side Vertical Seal	1
Door Magnet	1
Frame Magnet	1
Bottom Seal (Long)	1
Bottom Seal (Short)	1
Handle	1

Equipment Check List: Not Supplied

Description
4.5mm drill bit
Electric / Battery Drill
6mm Masonry Drill Bit
Silicone Sealant Gun
Bathroom Sealant
Screwdriver
Spirit Level
Tape Measure
Pencil
Wall Plugs (for Plasterboard if necessary)

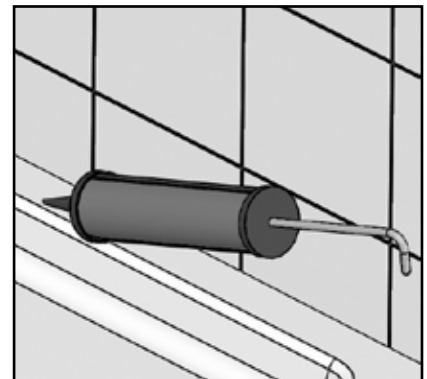
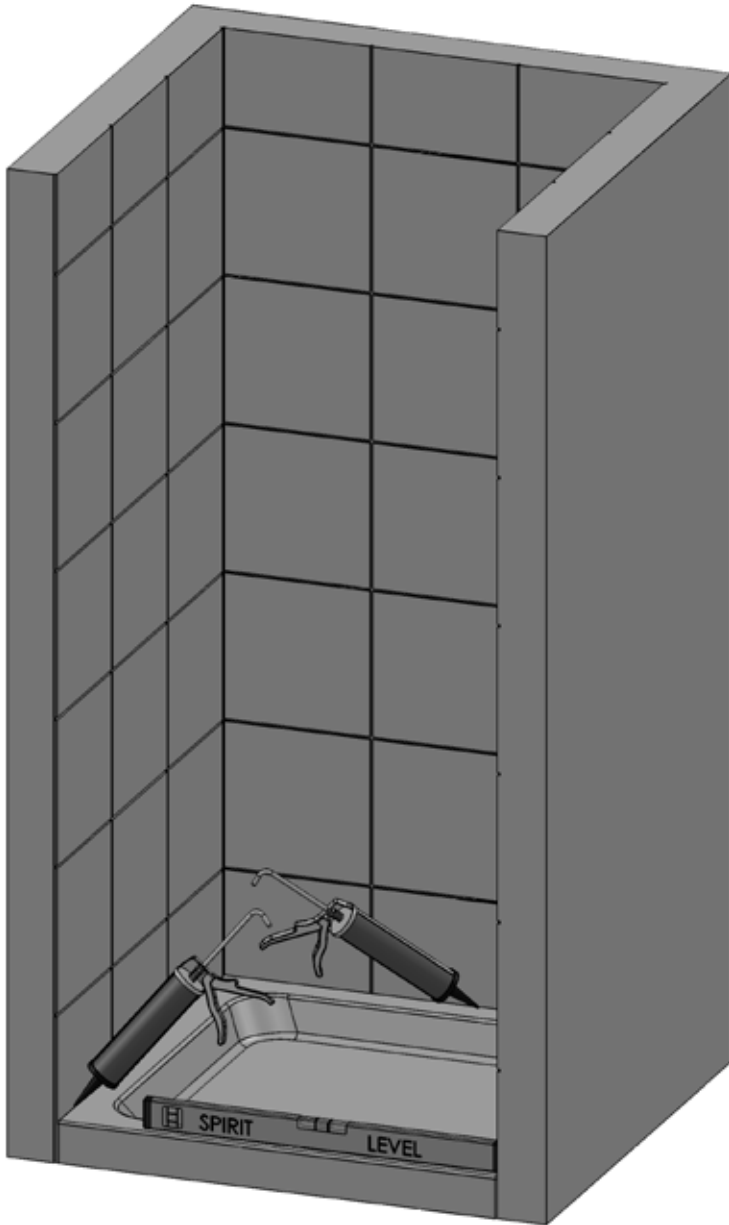
Fixing Kit Components

Description	Quantity
Wall Plugs	6
40mm Screws	6
9mm Screws	6
Screw Bases	12
Screw Cover Caps	12
Top Cap (Left Hand)	1
Top Cap (Right Hand)	1
2.5mm Drill Bit	1

CONSUMER GUARANTEE

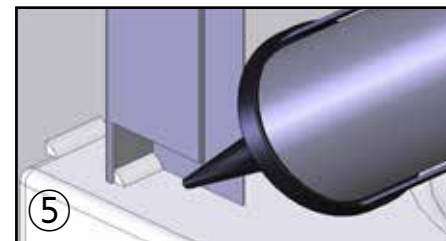
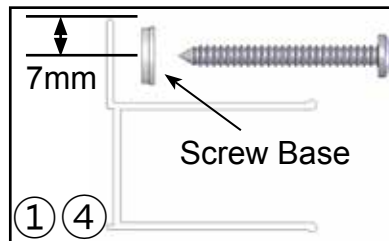
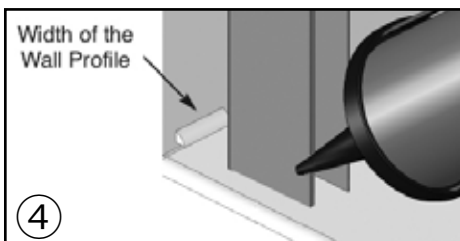
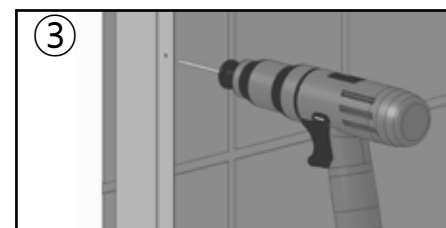
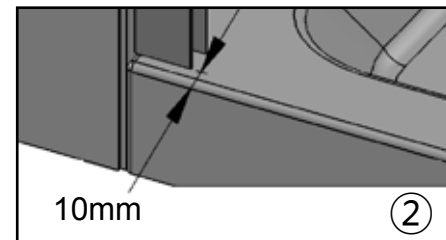
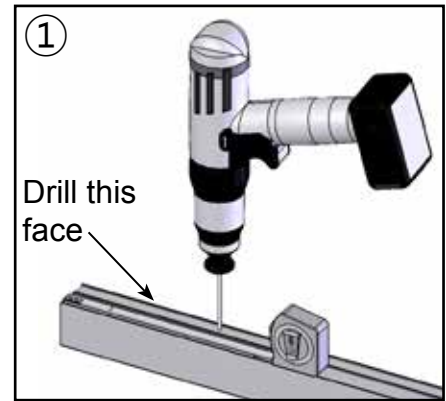
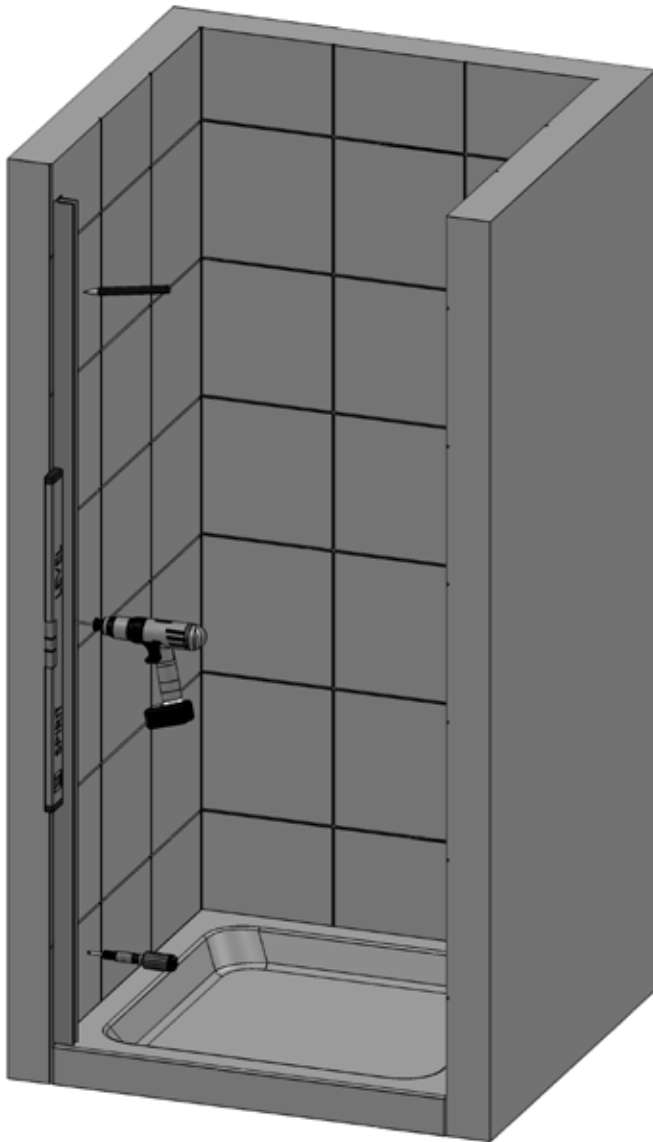
Please make sure the purchaser/end user completes and returns the guarantee card which is enclosed with this product. Failure to validate the Guarantee will mean only the 1 Year Statutory Guarantee will apply.

Step 1 - Pre-Installation Checks



1. Check the tray is level on all sides (the bubble on the spirit level must be in the centre of the 2 lines).
 2. Stand in the tray and check that there is no adverse movement (correct if necessary).
 3. The walls should be tiled and grouted up to the tray.
 4. The tiles and the tray should be sealed using a good quality bathroom sealant.
- **Spray the seal and joints with the shower head and check for leaks when the silicon has cured.**
 - **Check the plumbing for leaks.**
 - **DO NOT plasterboard over the tray.**
 - **DO NOT grout the tiles when the enclosure has been fitted, the grout may discolour the aluminium profiles.**
 - **Make sure the tray is installed as per the manufacturer's instructions.**
 - **When all of the above has been completed please proceed to the Step 2.**

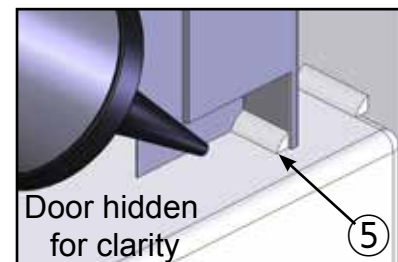
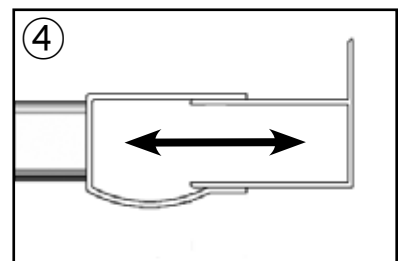
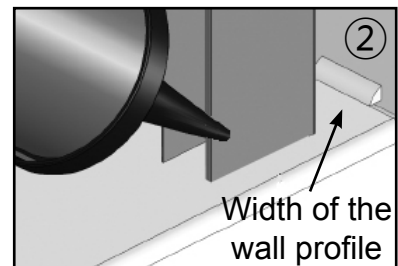
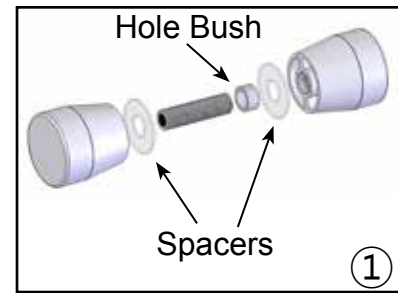
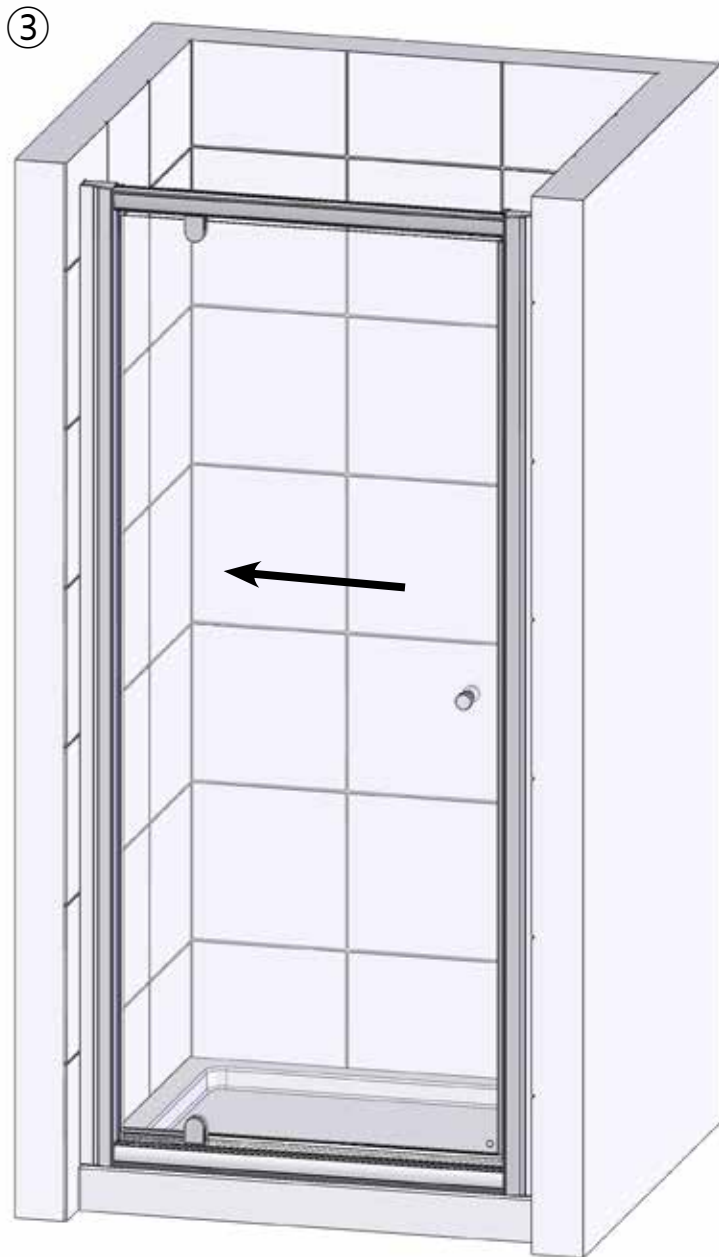
Step 2 - Wall Profile Positioning



1. On both Wall Profiles drill three 4.5mm holes through the lip. Place them 7mm in from the edge and approximately 100mm from each end and the other positioned in the centre.
 - **Drill the holes from the back (through the face that goes to the wall) - deburr all holes.**
2. Place both Wall Profiles 10mm in from the outside of the tray. Make sure that both Wall Profiles are completely vertical using a spirit level and mark the wall through the holes with a pencil.
3. Drill the wall with a 6mm Masonry Drill Bit (not supplied) where the Wall Profiles are to be positioned. Fit the Wall Plugs supplied (if going in to a brick or block wall). If going into a plasterboard wall you will need to purchase appropriate wall fixings. Wipe clear all debris from the Tray before referring to the next stage.
4. Take one Wall Profile and position it on the Tray, place a bead of Bathroom Sealant (not supplied) the width of the Wall Profile between the tiled wall and tray. Fit Screw Bases to the 40mm screws (supplied) and secure the Wall Profile to the wall. Do not over tighten the screws into the Wall Profile as this will misshape the Wall Profile. Ensure the Wall Profile stays completely vertical throughout this procedure using a Spirit Level.
 - **NOTE: Only one Wall Profile is fitted at this time, the other Wall Profile is fitted later.**
 - **No sealant should be present between the Wall Profiles and the tiled walls vertically prior to screw fixing.**
5. Seal the gap between the Tray and Wall Profile with a Bathroom Sealant (not supplied).
 - **Failure to carry out Stages 4 & 5 can result in serious water damage and is not covered by the Guarantee.**

Step 3 - Installing the Door, Handle and Fixing the 2nd Wall Profile

NOTE: The stages below will require 2 people to carry them out. On stage 5 when lifting the Door Assembly to seal the inside of the 2nd wall profile place a wooden chock or similar between the enclosure and the top of the tray to prevent it from falling and causing injury (carefully remove when done).



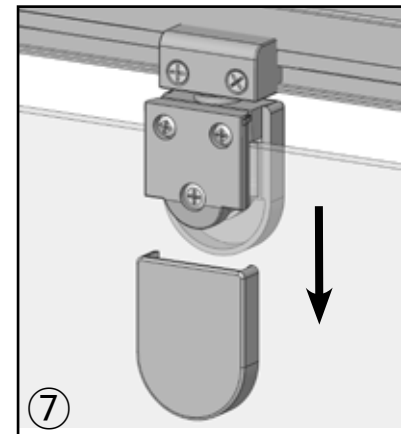
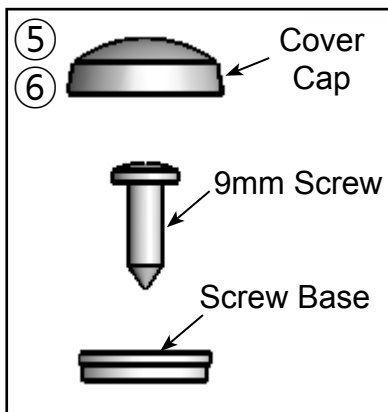
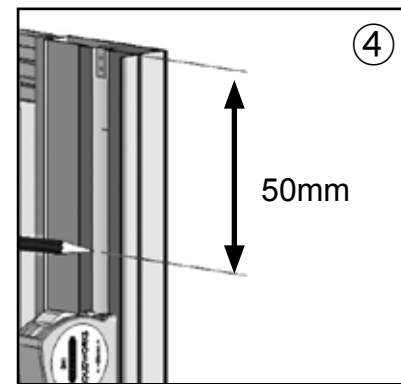
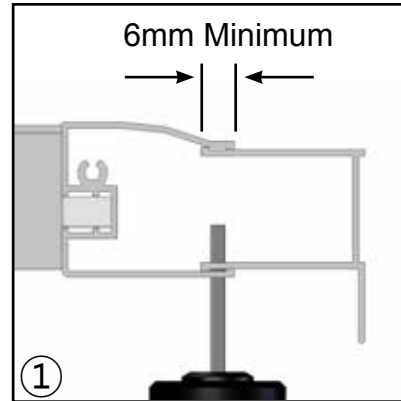
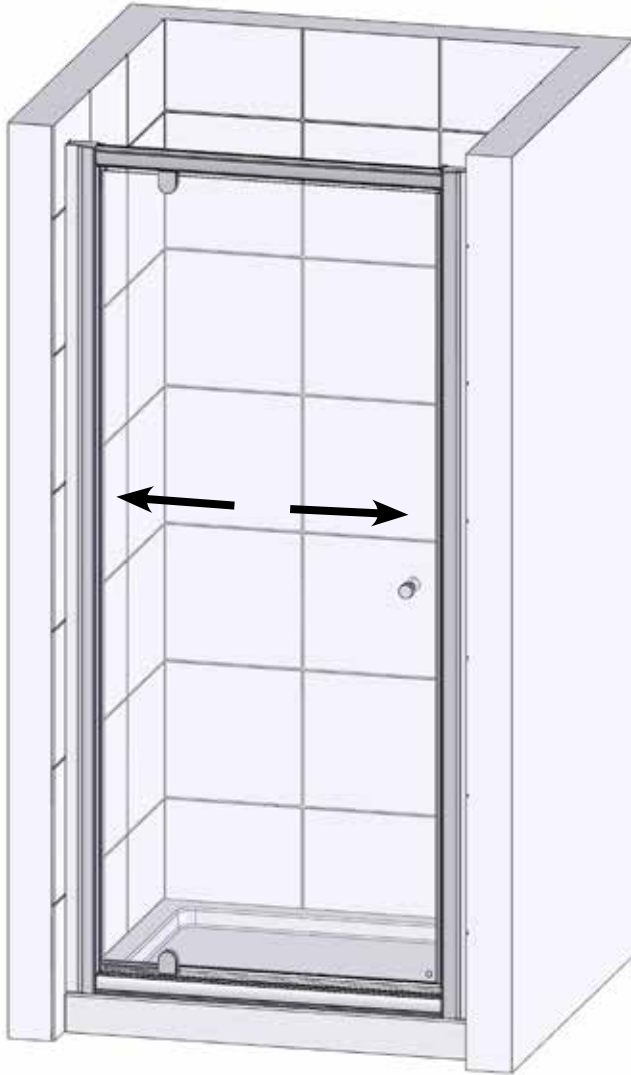
1. Dismantle the Handle Assembly and re-assemble onto the Door Glass. Make sure the Hole Bush is fitted between the screw and glass and the Spacers are fitted each side of the Door.
2. Prior to fixing the 2nd wall profile apply a bead of Bathroom Sealant (not supplied) the width of the wall profile where it meets the tiled wall and tray at the bottom.
3. Place the Door over the already fitted (1st) wall profile which you decided in Step 2 and push fully together.
4. Place the 2nd Wall Profile over the other end of the Door as far as it will go and then push it back to the wall. Fit the screw bases to the 40mm screws and screw fix through the lip and fit the coloured cover caps.
5. Carefully lift the Door Assembly and seal the gap on the inside between the Tray and Wall Profile with a Bathroom Sealant (not supplied).

- **IMPORTANT:** Failure to carry out Stages 2 and 5 can result in serious water damage and is not covered under the terms of the guarantee.
- Ensure that the pivot end of the enclosure is fitted to your 1st wall profile.
- The wall profiles must be completely vertical (the bubble on the Spirit Level must be in the centre of the 2 lines).

Step 4 - Fitting the Enclosure

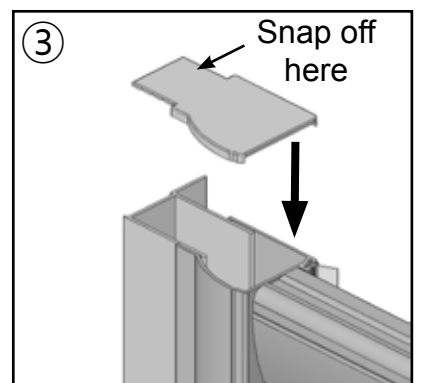
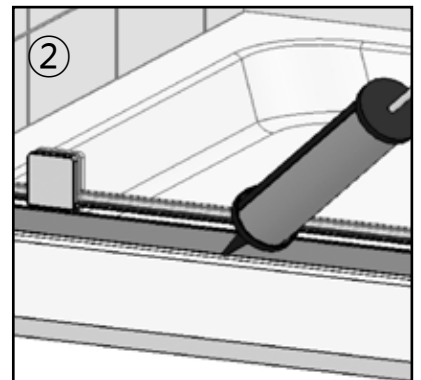
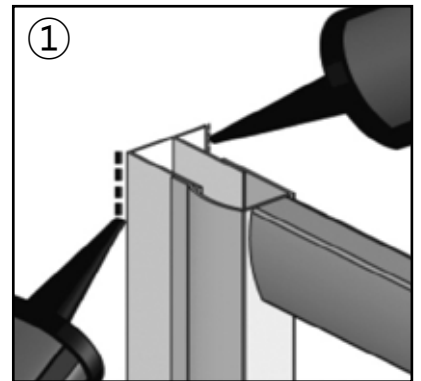
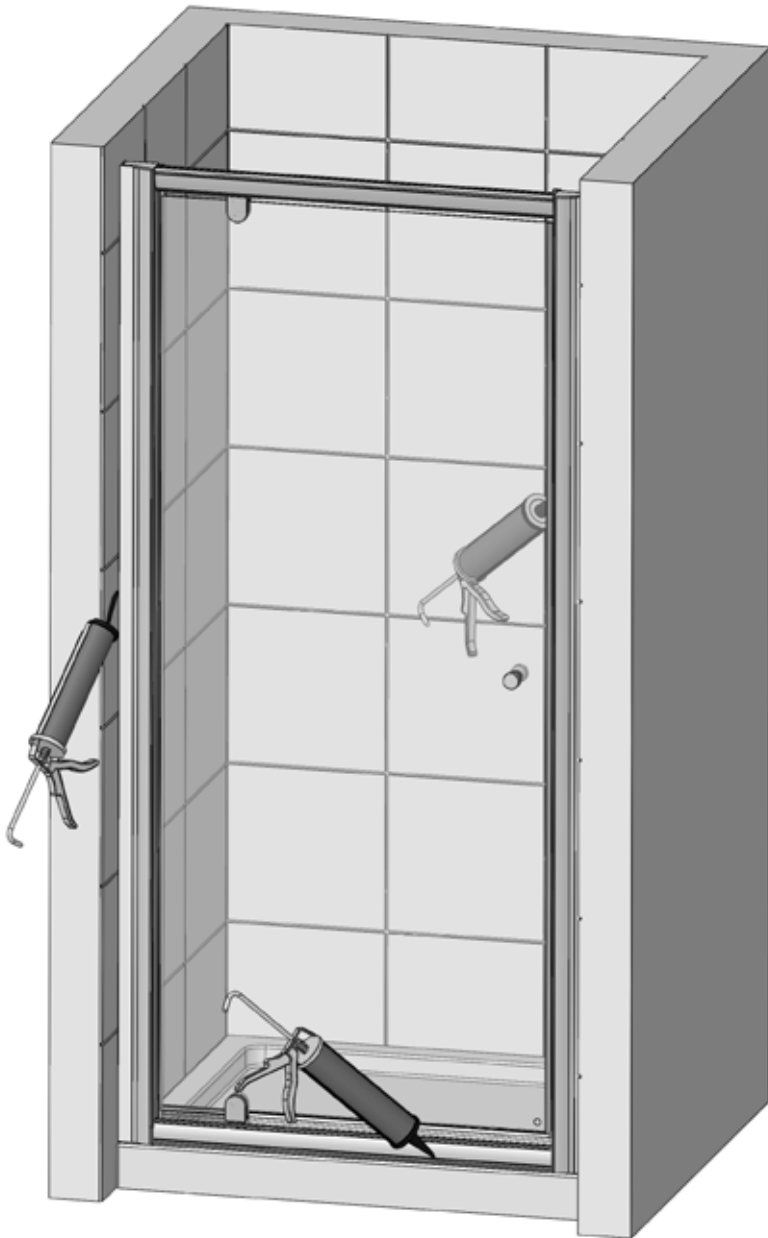
NOTE: This part of the installation requires 2 people.

③



1. Make sure the Frame is positioned equally between both Wall Profiles with a minimum of 6mm for drilling.
2. Fit the Door Magnet and the Frame Magnet ensuring they both make full contact.
3. Adjust the Door within the Frame to ensure the gap between the top of the Door and the Horizontal Main Frame is parallel. To achieve this adjustment, push the Main Vertical Frame from the top (pivot side) further into the Wall Profile. This will ensure the Door lifts away from the bottom of the Horizontal Main Frame.
4. Drill three 2.5mm holes through the Vertical Frame into the Wall Profiles, they are to be drilled approximately 50mm from each end with the other in the centre.
 - **IMPORTANT:** Ensure the door has been adjusted correctly prior to drilling.
5. Fit the Screw Bases onto the 9mm Screws and screw the Frame to the Wall Profiles using a screwdriver.
6. Fit all the Screw Cover Caps in the enclosure.
7. There is a small amount of adjustment in the Door which can be achieved by sliding the Inner Hinge Cover Cap off and loosening the screws by approx 2-3 turns. Adjust the glass, re-tighten the screws and replace the Cover Cap.

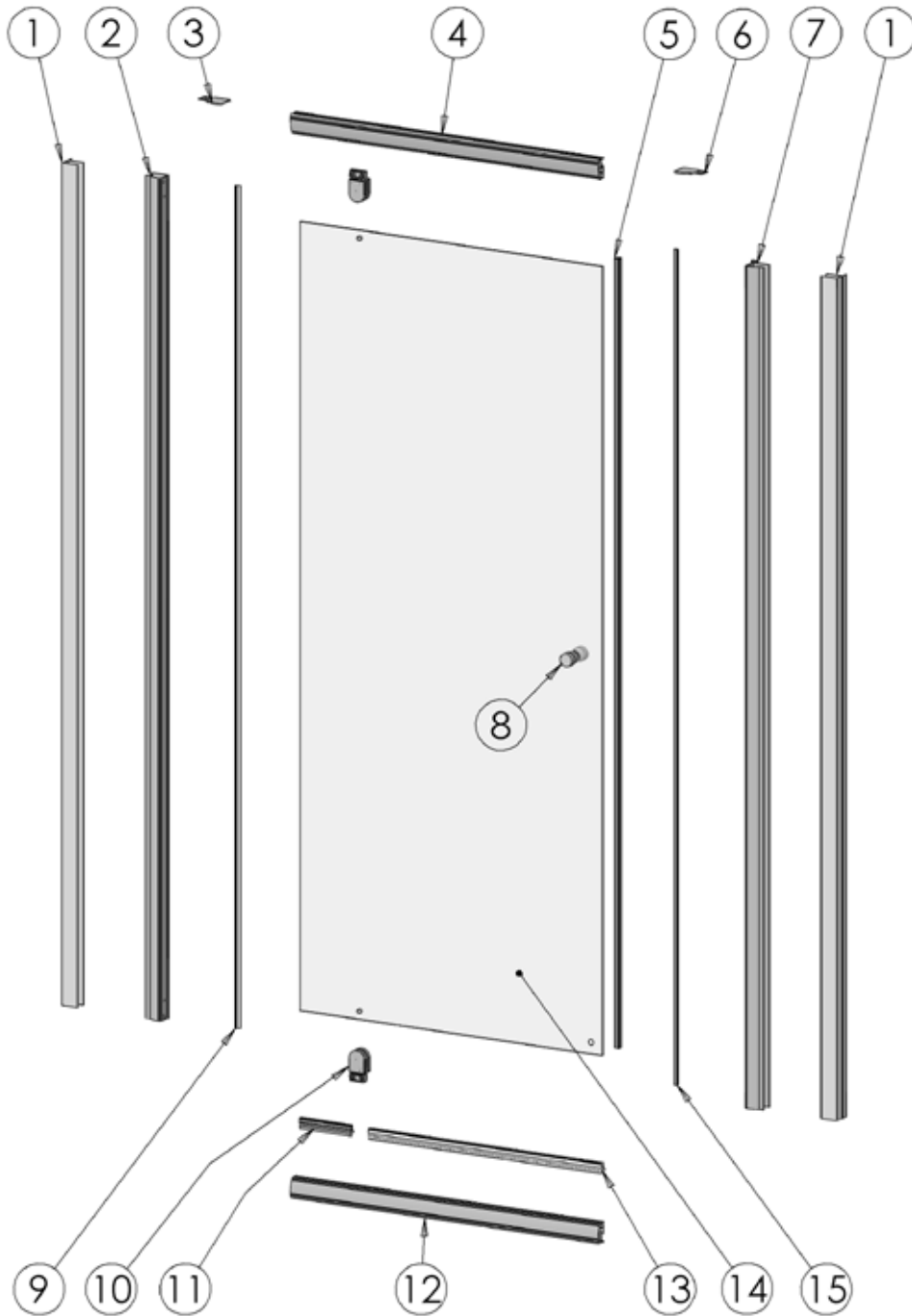
Step 5 - Sealing



1. Seal the Wall Profile vertically, both internally and externally where they meet the tiles.
2. Seal the base of the enclosure to the top of the tray from wall to wall on the outside only.
 - **IMPORTANT: Failure to carry out stages 1 and 2 may result in serious water damage and is not covered under the terms of the guarantee.**
 - **DO NOT seal the base of the product to the inside, failure to comply may result in the product leaking.**
 - **Allow 24 hours for the sealant to fully cure prior to using the shower.**
3. The Top Caps have grooves and can be shortened by snapping off at these points (adding a small amount of sealant will help keep them in place).

Spare Parts

If you need to replace any damaged parts please see illustration below for parts list then call Customer Relations on 01325 328033



Part No.	Description	Q'ty	Part No.	Description	Q'ty	Part No.	Description	Q'ty
1	Wall Profile	2	11	Bottom Seal (Short)	1	21		
2	Vertical Frame (Hinge Side)	1	12	Horizontal Frame (Bottom)	1	22		
3	Top Cap (Left Hand)	1	13	Bottom Seal (Long)	1	23		
4	Horizontal Frame (Top)	1	14	Door Glass	1	24		
5	Door Magnet	1	15	Frame Magnet	1	25		
6	Top Cap (Right Hand)	1	16					
7	Vert Frame (Magnet Side)	1	17					
8	Door Handle	1	18					
9	Vertical Seal	1	19					
10	Hinge	2	20					

TROUBLE SHOOTING GUIDE

Problem	Solution
Leaking	<ol style="list-style-type: none">1. Check the tray is sealed correctly along the tiled walls prior to installation.2. Check that the inside gap between the Tray and Wall profiles has been sealed correctly.3. Check the base of the enclosure is sealed on the outside only.4. Check that a bead of sealant the width of the wall profile has been applied.5. Check the wall profiles on the tiled walls are sealed both vertically inside and outside.6. Check all the seals have been cut and positioned correctly. <p>Important: This enclosure should be water tested conforming to BS EN 14428</p>
Enclosure Alignment on the Tray or Floor	<ol style="list-style-type: none">1. Check the enclosure has been fitted onto a tiled wall or similar sealed surface.2. Check that the wall profiles are fitted 10mm in from the front of the tray.3. Check the wall profiles are completely vertical.
Door not operating / closing correctly	<ol style="list-style-type: none">1. Check the tray is completely level, this could have an effect on the positioning of the door when adjusted. You may not have enough adjustment within the wall profile due to compensating for an out of level tray.2. Check the wall profiles are completely vertical.3. Are the magnets on the glass door and frame locate to one another all the way down.4. If the door doesn't fully close properly or springs open, you will need to check the wall profiles with a spirit level. One of the wall profiles will be moving in the opposite direction to the other, realign the profiles so that they are both completely vertical.
Glass Door Alignment	<ol style="list-style-type: none">1. Check the tray is completely level, this could have an effect on the positioning of the door when adjusted and you may not have enough adjustment.2. Check the wall profiles are completely vertical.3. The glass is not parallel to the mainframe (i.e. unequal gap). Adjust the door on the pivot side by pushing the mainframe in at the top towards the wall in the wall profile.4. Ensure the enclosure is completely vertical using a spirit level.

Some important information to help you Maintain your product.

The following information is all you need to keep your product looking new.

Clean your product using a mild detergent diluted in water and then polished off using a soft cloth.

If you live in a hard water area, periodically clean your product using a 50/50 solution of white vinegar and water. The solution should be left on the enclosure for approximately 5 minutes then rinsed off using warm water. This method of cleaning should remove lime scale residue.

Simple Maintenance

Our products are generally maintenance free, however it may be necessary to lubricate wheel assemblies and other moving parts from time to time.

It is strongly recommended that a quality silicone spray is used.

A list of Don't's:

1. Don't use acidic based products which are unsuitable for cleaning enamel surfaces.
2. Don't use abrasive cleaners or cleaners using bleach or solvents, these products will adversely affect the finish of the aluminium profiles.
3. Don't use scouring pads, powder or any sharp instruments when cleaning the enclosure.

Should you experience any problems during installation please refer to the Trouble Shooting Guide or contact Customer Relations on:

+44 (0) 1325 328033

To enable customer relations to provide you with an excellent level of service it is important that you quote your product Code and Reference Number - these can be found on the Guarantee card.