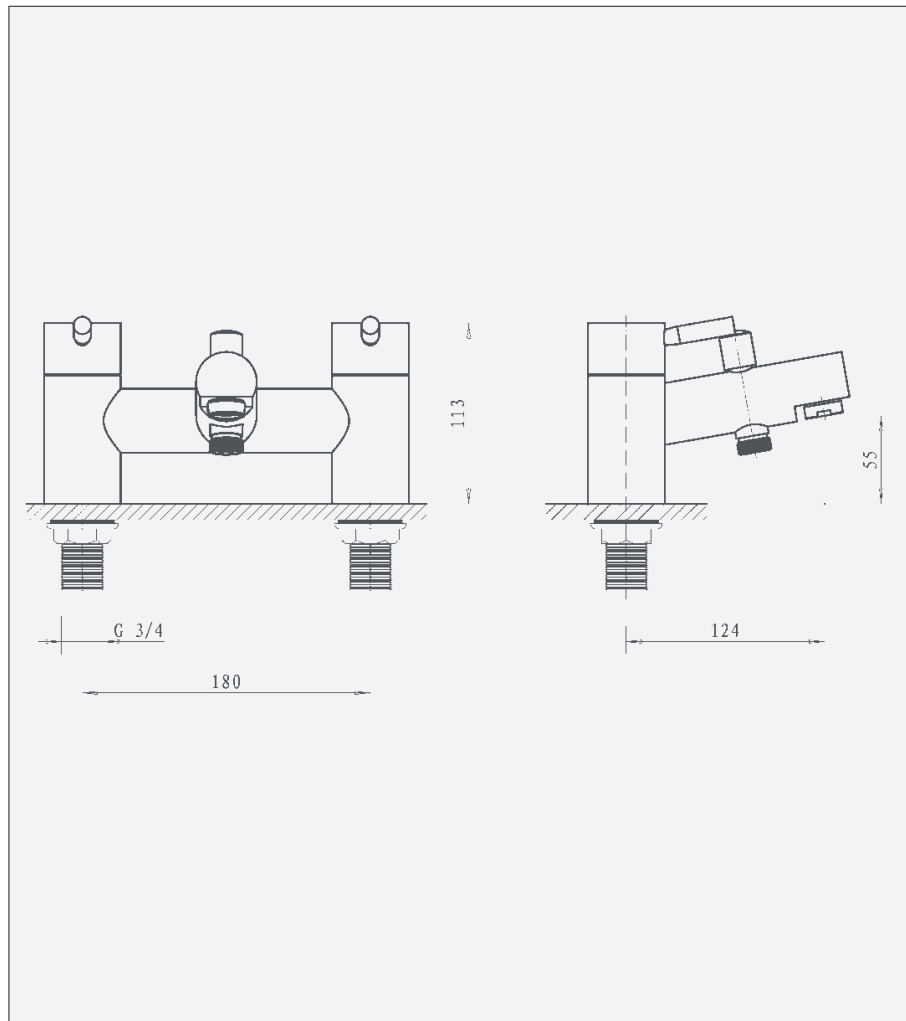


Vine - Bath Shower Mixer



Vine Bath Shower Mixer

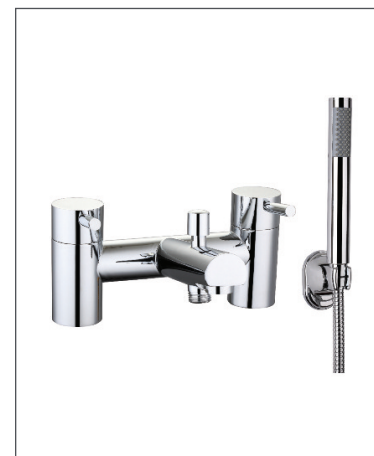
Code: V-BS

Features

- Includes Neoperl flow straightener to ensure smooth flow
- Discreet etching for hot and cold
- Supplied with designer pencil handset
- Hose and wall bracket
- Plunger diverter
- 10 year warranty (2 year on cartridge)

Technical Details

- 2 tap hole deck mounted bath shower mixer - chrome
- 3/4" BSP inlets



Operating Pressure	0.2 bar	0.5 bar	1 bar	2 bar
Flow Rate (L/min)	9.9	18.8	27.4	37.2

Unit 5, Kiltonga Industrial Estate,
Newtownards, Co Down,
Northern Ireland. BT23 4TJ

Sales Enquiries
Email: info@aquallabrassware.com

Tel: +44 (0) 28 9182 8000
Fax: +44 (0) 28 9181 2888

Technical and Aftersales
Email: support@aquallabrassware.com



www.aquallabrassware.com