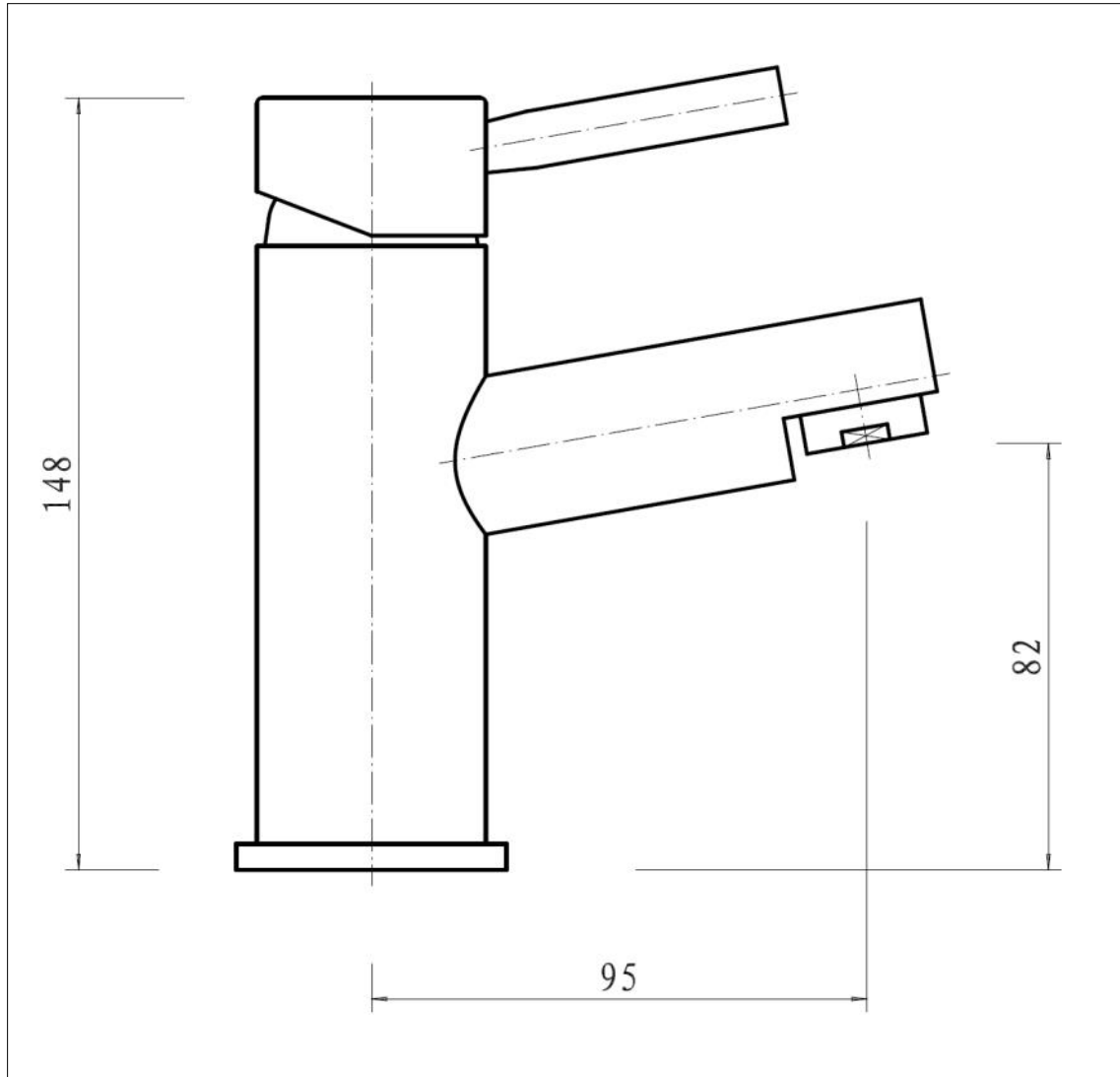


# Vine - Basin Mixer



## Vine Basin Mixer

Code: V-BM

### Features

- Supplied with clicker waste and 1/2" flexible tail water inlets
- Includes Neoperl aerator to ensure smooth flow
- Mounting base plate for premium finish
- Discreet etching for hot and cold
- 12 year warranty



Operating Pressure	0.2 bar	0.5 bar	1 bar
Flow Rate (L/min)	3.7	5.8	8

Units 3 & 4, 16 Crawfordsburn Road,  
Newtownards, Co Down,  
Northern Ireland. BT23 4EA

### Sales Enquiries

Email: [info@aquallabrassware.com](mailto:info@aquallabrassware.com)

Tel: +44 (0) 28 9182 8000

Fax: +44 (0) 28 9181 2888

### Technical and Aftersales

Email: [support@aquallabrassware.com](mailto:support@aquallabrassware.com)



[aquallabrassware.com](http://aquallabrassware.com)

© 2019 Aqualla. All rights reserved.