



Elegance corner TRV wheel-head & manual wheel-head



Available Finishes
Chrome

Connection Size	
Valve to Radiator	1/2" BSPT
Valve to Pipe	15 mm Compression

Allen Key size	
To adjust Lock-Shield	By Hand
To fit Coupler to Radiator	16mm Spanner
Allen Keys are not included	

Pressure Ratings	
Max Test Pressure	N/A
Max Operating Pressure	10 Bar
Max Differential Pressure	1 Bar
Pressure Drop Value (Kvs)	N/A

Kvs value is the metric measure for the flow of a fully opened valve. It is defined as: The volume flow in cubic metres per hour of water at a temperature of between 5° and 40° Celsius with a pressure drop across the valve of 1 bar.

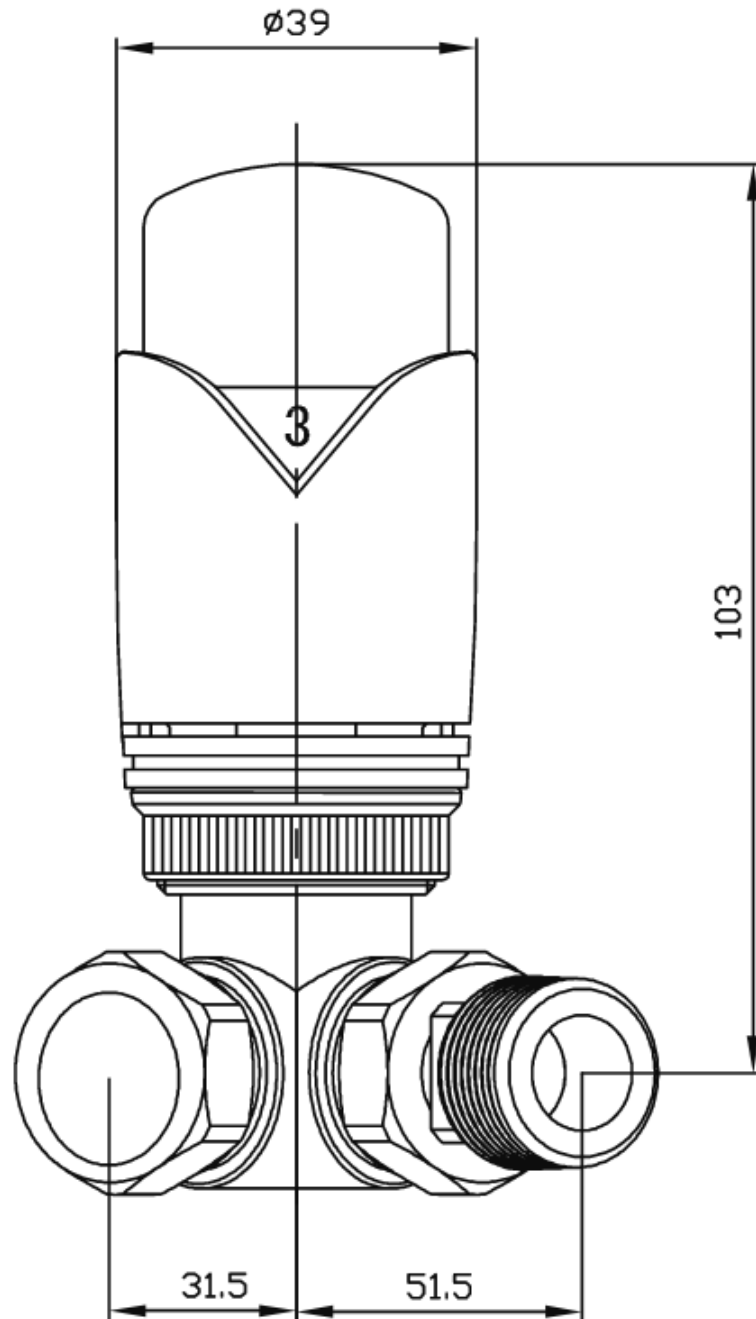
Flow Ratings	
Normal Flow Rate	0.15m ³ /h
Max Flow Rate	0.47m ³ /h

Temperature Ratings	
Max Operating Temperature	100°C
Temperature Adjustment Range	7 – 28°C

Disclaimer	
<p>All dimensions are approximate and for roughing in only. We recommend no work be carried out until the goods arrive. We can take no responsibility for errors in information supplied.</p>	



Elegance corner TRV wheel-head
& manual wheel-head





Elegance corner TRV wheel-head & manual wheel-head

