

## DATA SHEET

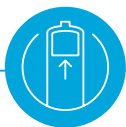
# Baxi Direct

## Unvented hot water cylinder

The Baxi Direct offers the same reliable performance and efficiencies as our Indirect models. It's available in a range of volumes between 125 and 300 litres to suit all house sizes and hot water needs. The internal floating baffle expansion system allows the cylinder to be installed quickly and easily in small spaces. Plus, as with all cylinders in our range, the Baxi Direct is covered by a 25-year warranty for the inner tank.\*



**76 l/min  
at 3 bar  
max flow**



**125-300  
litres nominal  
capacity**



**25 year  
warranty\***



**50mm  
insulation**

### FEATURE

### BENEFIT

Internal expansion with floating baffle

Neat appearance, saves space and reduces installation time

Insulated T and P valve and 50mm thick cylinder insulation

Excellent heat retention and energy efficiency

High grade duplex stainless steel

High corrosion resistance and a high strength to weight ratio

Delivers up to 76 litres per minute of hot water at 3 bar pressure

Outstanding hot water performance without the need for shower pumps or tanks

25-year warranty\*

For complete peace of mind

\* Subject to T&Cs

# BAXI

DATA SHEET

# Baxi Direct

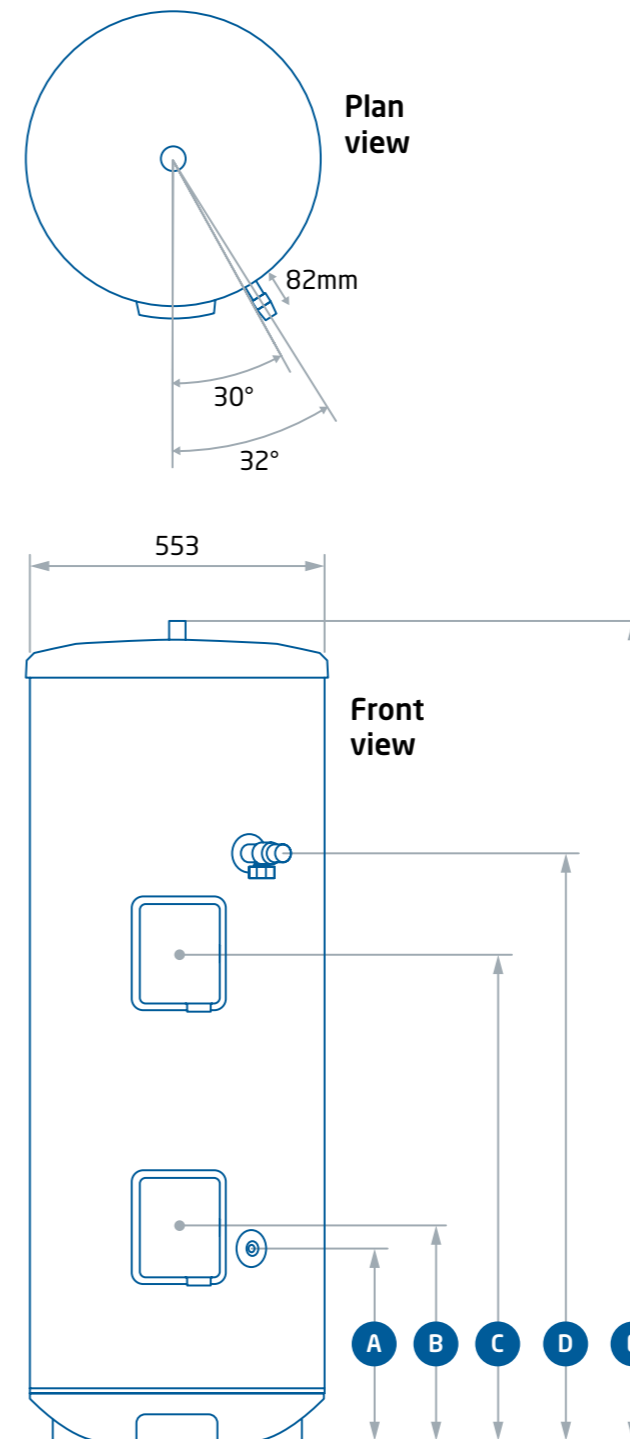
Unvented hot water cylinder

SPECIFICATIONS

UNITS		125d	145d	170d	210d	250d	300d
Part Number		7798172	7798173	7798174	7798175	7798176	7798177
Nominal capacity		125	145	170	210	250	300
Immersion heater rating	kW	2 x 3	2 x 3	2 x 3	2 x 3	2 x 3	2 x 3
Heat up times (lower immersion)	mins	139	175	193	205	267	309
Heat up times (bottom immersion)	mins	65	83	87	89	96	92
Heat up times (both immersion)	mins	62	79	88	90	98	93
ErP rating		C	C	C	C	C	C
Mix water delivery to 40°C	litres	176	197	233	258	320	386
Max mains pressure	bar			16			
Max design pressure	bar			8			
Operating pressure	bar			3			
Max primary pressure	bar			10			
Expansion relief valve setting	bar			8			
T&P valve setting	°C / bar			90 / 10			

DIMENSIONS

		125d	145d	170d	210d	250d	300d
A - Cold water inlet	mm	356	356	356	356	356	355
B - Immersion heater	mm	394	394	394	394	395	396
C - Boost immersion heater	mm	668	680	804	900	1110	1413
D - T&P relief valve	mm	782	883	1008	1084	1309	1574
E - Height	mm	1131	1258	1414	1516	1767	2081
Weight dry	kg	25	31	34	38	46	56



**BAXI**

# Codes of practice and legislation

## Manufactured in a factory approved to:

- BS EN ISO 9001; OHSAS 18001; ISO 50001; ISO 14001.

## EU Directives:

- Pressure Equipment Directive 97/23/EC
- Low Voltage Directive (LVD) 2014/30/EU
- RoHS (Restriction of use of certain Hazardous Substances) Directive 2011/65/EU
- Electromagnetic Compatibility (EMC) Directive 2014/35/EU
- These units have only ever been used for the storage of portable water supplied from the public mains. The water quality shall be in accordance with European Council Directive 98/83 EC, or revised version at the date of installation, and is not fed with water from a private supply.

## Legislation:

- Building Regulations Part G and Part L (England and Wales)
- Scottish Building Standards Section 4 and Section 6
- Building Regulations (Northern Ireland) Parts F1 and F2 and Part P
- Water Supply (Water Fittings) Regulations (England and Wales)
- The Water Byelaws 2004 (Scotland)
- Water Supply (Water Fittings) Regulations (Northern Ireland).

## Standards: Complies with relevant clauses of the following standards:

- EN 12897 – Specification for indirectly heated unvented cylinders
- EN 60335-2-21 – Safety-Particular requirements for storage water heaters.

## The stainless steel materials used comply with the relevant clauses of:

- EN 10088 – Technical delivery conditions for sheet/plate and strip of corrosion resisting steels for general purposes.

## Components supplied comply with the following standards:

- BS EN 1490 Building Valves – Combined Temperature and Pressure Relief Valves
- BS EN 1491 Building Valves – Expansion Valves
- BS 6144 Specification for Expansion Vessels Using An Internal Diaphragm For Unvented Water Supply Systems
- BS EN 1567 Building Valves – Water Pressure Reducing Valves and Combination Reducing Valves
- BS EN 60730-1 Automatic Electrical Controls – For households and similar use Part 1: General Requirements
- BS EN 60730-2-8 Automatic Electrical Controls – Particular Requirements for Electrically Operated Water Valves
- BS EN 13959 Anti-pollution Check Valves.

## The use of these water heaters will aid in compliance with:

- Health and Safety Executive Approved Code of Practice L8: The control of legionella bacteria in water systems
- BS EN 806 Parts 1 to 5: Specification for installations inside buildings conveying water for human consumption
- BS 8558 Guide to the design, installation, testing and maintenance of services supplying water for domestic use within buildings
- Chartered Institute of Building Services Engineers Guide B and Guide F.

## Approvals:

- Direct and Indirect Kiwa Certification Number: 2304703
- Nemko Certification Number: P23226751.



## How we can help you

With Baxi, the heating system is only part of the story. We're also passionate about giving you the service and support you need, for the lifetime of your Baxi product.

### Genuine parts

We have a full range of approved spares and quality heating essentials for all Baxi products. For more details, visit [baxi.co.uk/trade/boilers-parts-and-accessories/parts](https://baxi.co.uk/trade/boilers-parts-and-accessories/parts)

### Product training

Our product training courses offer practical training on our latest products and are carried out by qualified experts at our training centres throughout the UK. To find out more, visit [baxi.co.uk/trade/training-courses](https://baxi.co.uk/trade/training-courses) or speak to your Business Development Manager.

### Expert service and support

Our Baxi Customer Support Team of experts can help with installation, service and repair. For further technical support and how-to videos, visit [baxi.co.uk](https://baxi.co.uk) or call us on **0344 871 1525**

### Baxi Works loyalty scheme

Baxi Works has everything you need in one place. It's the go-to for any busy installer, full of resources, benefits and rewards to thank you for being a loyal partner of Baxi. It's easy to join, whether you're Gas Safe registered or not. For more information visit [baxiworks.co.uk](https://baxiworks.co.uk)