

FEEL THE HEAT

Baxi cylinders, for fast, reliable
and efficient hot water

Created by our
hot water experts at
HEATRAESADIA



BAXI



Delivering fast, reliable and efficient hot water

Baxi's new range of cylinders are here to deliver fast, reliable and efficient hot water across the UK. Created by our hot water experts at Heatrae Sadia in the UK, Baxi cylinders deliver a level of quality and performance you've come to expect from us – now just a little bit Baxier!

Today's lifestyles mean that homes have a greater demand for hot water that services multiple users at the same time, along with a continual need for greater reliability, efficiency and affordability. All Baxi cylinders meet these needs and more.

Baxi's streamlined, floor-mounted cylinders are constructed with expansion vessels housed internally. Meaning that, as well as looking smart, our cylinders can be sited in almost any location within the home, without affecting performance.



**Rapid
recovery
times**



**25 years'
cylinder
warranty***



**Quick and
easy to
install**

* See baxi.co.uk for terms and conditions.

Your sustainable solutions provider for today and tomorrow

Here at Baxi, we're leading the way to a carbon-free future, with heating and hot water solutions that are geared towards helping homes and businesses achieve net zero emissions by 2050.

We're part of the BDR Thermea Group – a global company with market-leading brands in over 100 countries worldwide and over 6,100 people, working as one team, to support our customers in their energy transition.

From small residential homes to multi-storey commercial buildings, we offer heating and hot water solutions for millions of customers around the world.

Individual brands united for all your needs

In the UK, Baxi has a portfolio of some of the best known and most respected heating and hot water brands in the heating industry. Providing integrated solutions for residential and commercial heating and hot water – including boilers, electric water heating, air source heat pumps, combined heat and power, heat interface units, prefabricated plant rooms and skids, and controls.

BAXI

remeha

megaflo



HEATRAESADIA

MAIN
HEATING

POTTERTON
COMMERCIAL

Residential and commercial heating and hot water solutions

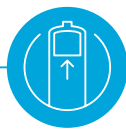
Baxi Indirect

Invented hot water cylinder

The Baxi Indirect offers exceptional maximum flow rates for outstanding hot water performance, without the need for shower pumps or tanks. Its duplex stainless steel construction has a high strength-to-weight ratio, and the insulated T&P valve and CFC/HCFC-free injected foam offer the best possible heat retention and energy efficiency. With exceptionally fast recovery times thanks to the coil-in-coil heat exchanger, the Baxi Indirect is sure to deliver reliable hot water across multiple outlets – and what's more, it's covered by a 25-year warranty for the inner tank.*



Up to 76 L/min at 3 bar pressure



Internal expansion system saves space



High-quality corrosion resistant components

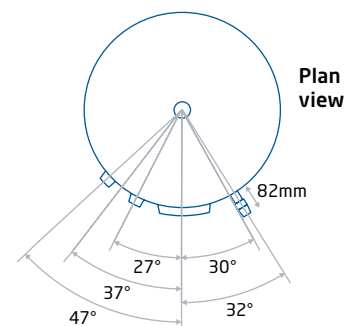
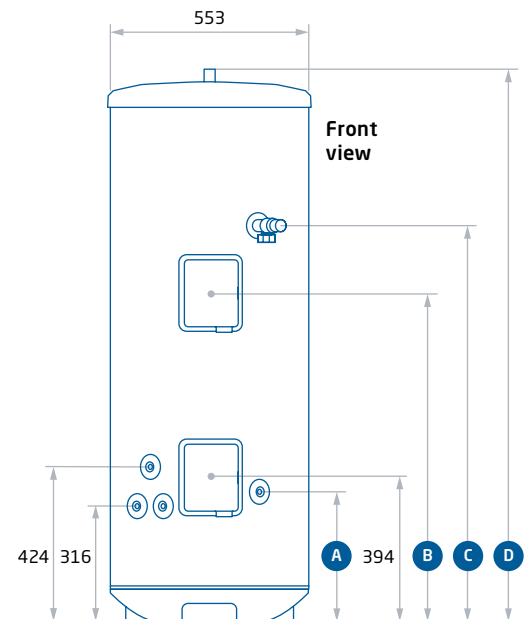


50mm insulation increases efficiency



Compatible with Baxi System and Heat boilers

| | UNITS | 125i | 145i | 170i | 210i | 250i | 300i |
|------------------------------------|-----------|---------|---------|---------|---------|---------|---------|
| Part number | | 7798178 | 7798179 | 7798180 | 7798181 | 7798182 | 7798183 |
| Nominal capacity | litres | 125 | 145 | 170 | 210 | 250 | 300 |
| Coil rating (@15l/min at 80°C) | kW | 11.6 | 11.8 | 12.5 | 12.8 | 13 | 11.8 |
| Heat up times (@15l/min at 80°C) | mins | 31 | 35 | 40 | 45 | 54 | 65 |
| Heat loss | kWh / 24h | 1.28 | 1.39 | 1.6 | 1.82 | 1.84 | 2.18 |
| ErP rating | | C | C | C | C | C | C |
| Mix water delivery to 40°C | litres | 176 | 197 | 233 | 258 | 320 | 386 |
| Max mains pressure | bar | 16 | 16 | 16 | 16 | 16 | 16 |
| Max design pressure | bar | 8 | 8 | 8 | 8 | 8 | 8 |
| Operating pressure | bar | 3 | 3 | 3 | 3 | 3 | 3 |
| Max primary pressure | bar | 10 | 10 | 10 | 10 | 10 | 10 |
| Expansion relief valve setting | bar | 8 | 8 | 8 | 8 | 8 | 8 |
| T&P valve setting | °C / bar | 90 / 10 | 90 / 10 | 90 / 10 | 90 / 10 | 90 / 10 | 90 / 10 |
| Immersion heater electrical rating | kW @ 240V | 3 | 3 | 3 | 3 | 3 | 3 |
| A Cold water inlet | mm | 355 | 355 | 355 | 356 | 356 | 355 |
| B Boost immersion heater | mm | N/A | N/A | N/A | 900 | 1,100 | 1,418 |
| C T&P relief valve | mm | 728 | 883 | 1,008 | 1,084 | 1,309 | 1,574 |
| D Height | mm | 1,131 | 1,258 | 1,414 | 1,516 | 1,767 | 2,081 |
| Weight dry | kg | 34 | 38 | 41 | 41 | 51 | 54 |



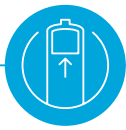
Baxi Direct

Invented hot water cylinder

The Baxi Direct offers the same reliable performance and efficiencies as our Indirect models. It's available in a range of volumes between 125 and 300 litres to suit all house sizes and hot water needs. The internal floating baffle expansion system allows the cylinder to be installed quickly and easily in small spaces. Plus, as with all cylinders in our range, the Baxi Direct is covered by a 25-year warranty for the inner tank.*



**Up to
76 L/min
at 3 bar
pressure**



**Internal
expansion
system
saves space**

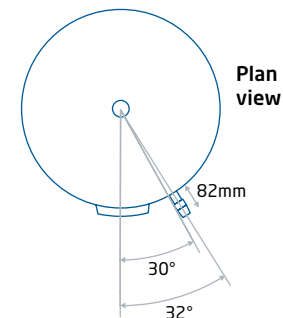
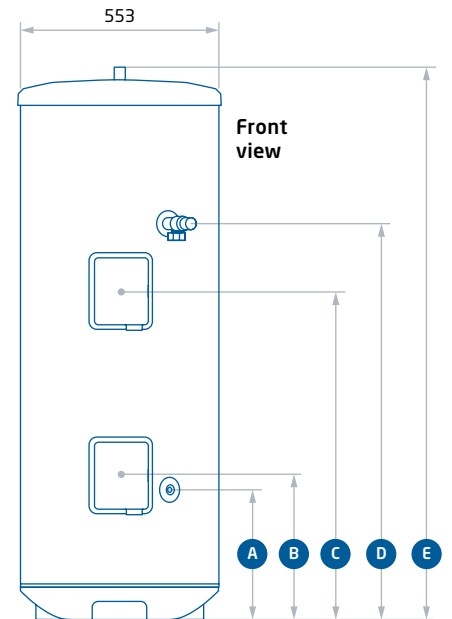


**High-quality
corrosion
resistant
components**



**50mm
insulation
increases
efficiency**

| | UNITS | 125d | 145d | 170d | 210d | 250d | 300d |
|----------------------------------|----------|---------|---------|---------|---------|---------|---------|
| Part number | | 7798172 | 7798173 | 7798174 | 7798175 | 7798176 | 7798177 |
| Nominal capacity | litres | 125 | 145 | 170 | 210 | 250 | 300 |
| Immersion heater rating | kW | 2 x 3 | 2 x 3 | 2 x 3 | 2 x 3 | 2 x 3 | 2 x 3 |
| Heat up times (lower immersion) | mins | 139 | 175 | 193 | 205 | 267 | 309 |
| Heat up times (bottom immersion) | mins | 65 | 83 | 87 | 89 | 96 | 92 |
| Heat up times (both immersion) | mins | 62 | 79 | 88 | 90 | 98 | 93 |
| ErP rating | | C | C | C | C | C | C |
| Mix water delivery to 40°C | litres | 176 | 197 | 233 | 258 | 320 | 386 |
| Max mains pressure | bar | 16 | 16 | 16 | 16 | 16 | 16 |
| Max design pressure | bar | 8 | 8 | 8 | 8 | 8 | 8 |
| Operating pressure | bar | 3 | 3 | 3 | 3 | 3 | 3 |
| Max primary pressure | bar | 10 | 10 | 10 | 10 | 10 | 10 |
| Expansion relief valve setting | bar | 8 | 8 | 8 | 8 | 8 | 8 |
| T&P valve setting | °C / bar | 90 / 10 | 90 / 10 | 90 / 10 | 90 / 10 | 90 / 10 | 90 / 10 |
| A Cold water inlet | mm | 356 | 356 | 356 | 356 | 356 | 355 |
| B Immersion heater | mm | 394 | 394 | 394 | 394 | 395 | 396 |
| C Boost immersion heater | mm | 668 | 680 | 804 | 900 | 1,110 | 1,413 |
| D T&P relief valve | mm | 782 | 883 | 1,008 | 1,084 | 1,309 | 1,574 |
| E Height | mm | 1,131 | 1,258 | 1,414 | 1,516 | 1,767 | 2,081 |
| Weight dry | kg | 25 | 31 | 34 | 38 | 46 | 56 |



Codes of practice and legislation

Manufactured in a factory approved to:

- BS EN ISO 9001; OHSAS 18001; ISO 50001; ISO 14001.

EU Directives:

- Pressure Equipment Directive 97/23/EC
- Low Voltage Directive (LVD) 2014/30/EU
- RoHS (Restriction of use of certain Hazardous Substances) Directive 2011/65/EU
- Electromagnetic Compatibility (EMC) Directive 2014/35/EU
- These units have only ever been used for the storage of portable water supplied from the public mains. The water quality shall be in accordance with European Council Directive 98/83 EC, or revised version at the date of installation, and is not fed with water from a private supply.

Legislation:

- Building Regulations Part G and Part L (England and Wales)
- Scottish Building Standards Section 4 and Section 6
- Building Regulations (Northern Ireland) Parts F1 and F2 and Part P
- Water Supply (Water Fittings) Regulations (England and Wales)
- The Water Byelaws 2004 (Scotland)
- Water Supply (Water Fittings) Regulations (Northern Ireland).

Standards: Complies with relevant clauses of the following standards:

- EN 12897 – Specification for indirectly heated unvented cylinders
- EN 60335-2-21 – Safety-Particular requirements for storage water heaters.

The stainless steel materials used comply with the relevant clauses of:

- EN 10088 – Technical delivery conditions for sheet/plate and strip of corrosion resisting steels for general purposes.

Components supplied comply with the following standards:

- BS EN 1490 Building Valves – Combined Temperature and Pressure Relief Valves
- BS EN 1491 Building Valves – Expansion Valves
- BS 6144 Specification for Expansion Vessels Using An Internal Diaphragm For Unvented Water Supply Systems
- BS EN 1567 Building Valves – Water Pressure Reducing Valves and Combination Reducing Valves
- BS EN 60730-1 Automatic Electrical Controls – For households and similar use Part 1: General Requirements
- BS EN 60730-2-8 Automatic Electrical Controls – Particular Requirements for Electrically Operated Water Valves
- BS EN 13959 Anti-pollution Check Valves.

The use of these water heaters will aid in compliance with:

- Health and Safety Executive Approved Code of Practice L8: The control of legionella bacteria in water systems
- BS EN 806 Parts 1 to 5: Specification for installations inside buildings conveying water for human consumption
- BS 8558 Guide to the design, installation, testing and maintenance of services supplying water for domestic use within buildings
- Chartered Institute of Building Services Engineers Guide B and Guide F.

Approvals:

- Direct and Indirect Kiwa Certification Number: 2304703
- Nemko Certification Number: P23226751.



How we can help you

With Baxi, the heating system is only part of the story. We're also passionate about giving you the service and support you need, for the lifetime of your Baxi product.

Genuine parts

We have a full range of approved spares and quality heating essentials for all Baxi products. For more details, visit baxi.co.uk/trade/boilers-parts-and-accessories/parts

Product training

Our product training courses offer practical training on our latest products and are carried out by qualified experts at our training centres throughout the UK. To find out more, visit baxi.co.uk/trade/training-courses or speak to your Business Development Manager.

Expert service and support

Our Baxi Customer Support Team of experts can help with installation, service and repair. For further technical support and how-to videos, visit baxi.co.uk or call us on **0344 871 1525**

Baxi Works loyalty scheme

Baxi Works has everything you need in one place. It's the go-to for any busy installer, full of resources, benefits and rewards to thank you for being a loyal partner of Baxi. It's easy to join, whether you're Gas Safe registered or not. For more information visit baxiworks.co.uk