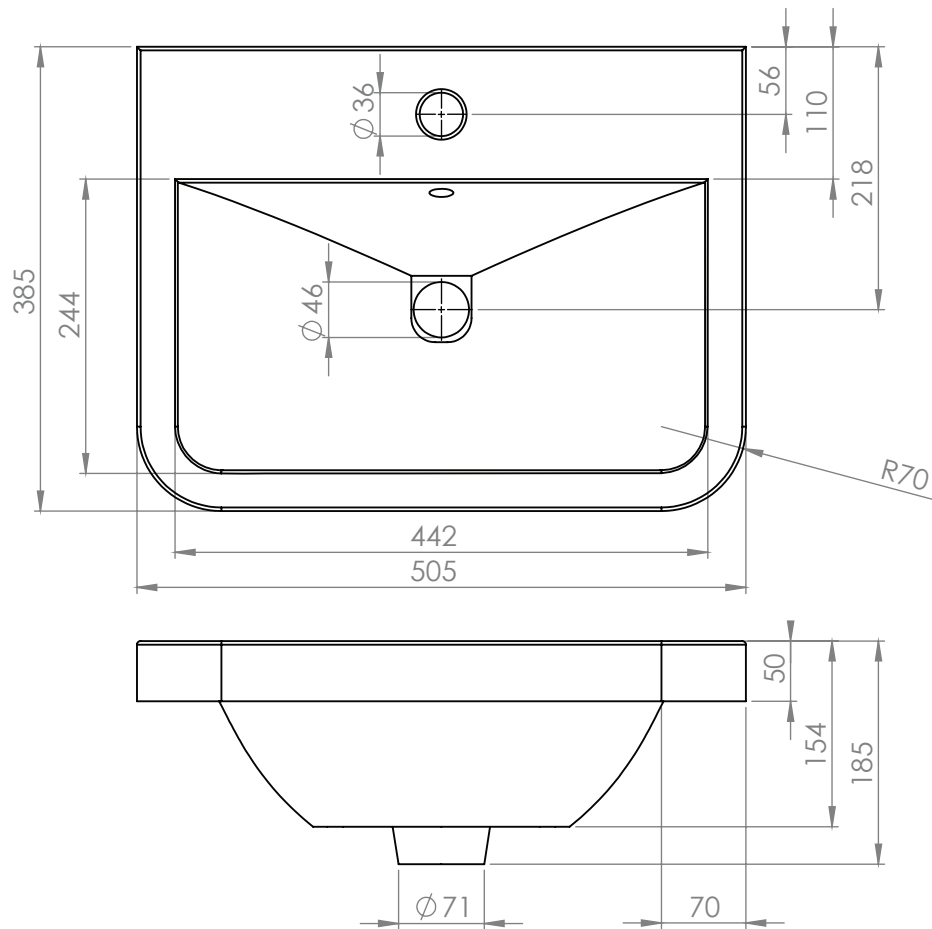


# Technical Data Sheet

## CONTOUR 500mm Ceramic Basin

Whats in the box: 1x CN5480

R2



Diagrams not to scale  
All dimensions in mm  
tolerance of +/-5mm

### Materials

Basin: Ceramic

\*Dimensions are subject to change, customers are advised to measure actual product before commencing installation.

\*\*Fixing point dimensions are for guidance only/the positions of wall fixing must be checked when product is received.

### FAQs

Q: What is the maximum water depth of the basin?

A: 104mm up to the overflow.

Q: What is the internal depth?

A: The internal depth is 144mm.

Q: Whats is the depth of the Tapledge?

A: The Tapledge is 110mm.

Q: What is the distance from the Taphole centre to Basin Waste?

A: 162mm.