



**Even more convenience, even less power consumption.**

A visible symbol of the new generation of high-efficiency pumps for heating and air-conditioning systems in residential dwellings is the green operating button, which, together with new functions, provides maximum convenience in commissioning and maintenance. Default settings for radiators or underfloor heating – symbolised by pictograms – save time during commissioning.

The energy efficiency was improved once more and the power consumption is thus even lower and is shown alternating with the flow. And thanks to the more compact construction, pump replacement is now even easier.

**Recommended services**



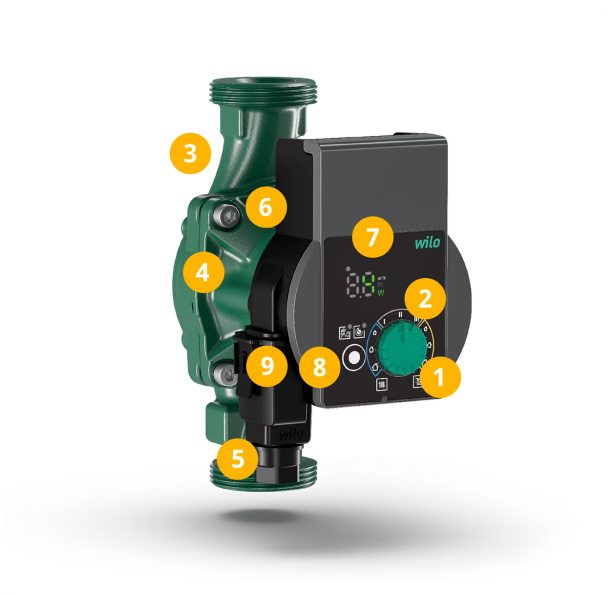
**Wilo-Live Assistant System Optimisation**



**Energy Solutions**

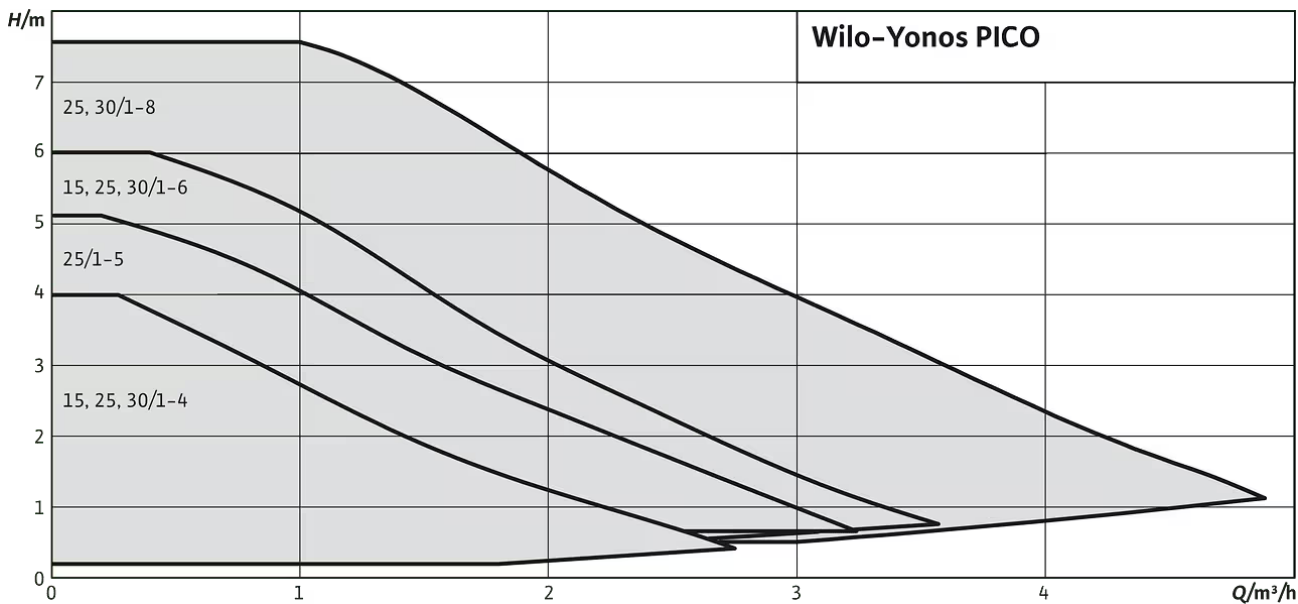
**Your advantages**

- > Maximum operating convenience owing to the Green Button Technology with new, intelligent settings, intuitive user interface and new functions
- > Optimised energy efficiency owing to EC motor technology, settings with an accuracy of 0.1 m and display of current power consumption
- > Quick and easy installation and smooth exchange owing to the new, optimised construction
- > Easy maintenance and high degree of operational reliability due to automatically and manually triggered restart or pump venting function
- > Maximum operational reliability owing to proven technology



**Product features**

- 1 Green Button Technology
- 2 Intuitive user interface assisted by standard symbols
- 3 Compact, standardised design
- 4 EC motor technology
- 5 Direct access to the Wilo-Connector
- 6 Direct access to motor screws
- 7 Display of fault messages
- 8 Manual restart function
- 9 Venting routine



**Design**

Glandless circulator with screwed connection, blocking-current proof EC motor and integrated electronic power control.

**Application**

All hot-water heating systems, air-conditioning applications, industrial circulation systems.

**Equipment/function**

**Operating modes**

- > Constant differential pressure
- > Variable differential pressure
- > Constant speed (3 control pump curves)

## Manual functions

- > Setting the operating mode in accordance with the application
- > Setting of pump output (delivery head)
- > Setting the constant speed
- > Pump venting function
- > Manual restart

## Automatic functions

- > Infinitely variable power adjustment according to the operating mode
- > Automatic restart

## Signal and display functions

- > Display of power consumption in W
- > Display of delivery head for setting
- > Indication of fault signals (error codes)
- > Display of manually activated restart or pump venting function

## Equipment

- > Wrench attachment point on pump body
- > Quick electrical connection with Wilo-Connector
- > Pump venting function
- > Manual restart
- > Blocking-current proof motor
- > Particle filter

## Typekey

Example:	<b>Wilo-Yonos PICO 30/1-4</b>
<b>Yonos</b>	High-efficiency pump (screw-end pump), electronically controlled
<b>PICO</b>	
<b>30/</b>	Nominal connection diameter
<b>1-4</b>	Nominal delivery head range [m]
<b>130</b>	Port-to-port length

## Technical data

- > Fluid temperature -10 °C to +95 °C
- > Mains connection 1~230 V, 50 Hz
- > Protection class IPX4D
- > Screwed connection Rp ½, Rp 1 and Rp 1¼
- > Max. operating pressure 10 bar

## Materials

- > Pump housing: Grey cast iron (EN-GJL-200)
- > Impeller: Plastic (PP - 40% GF)
- > Pump shaft: Stainless steel
- > Bearing: carbon, metal impregnated

## Scope of delivery

- > Pump
- > Wilo-Connector
- > Gaskets
- > Installation and operating instructions

Product list

Product description	Pump connection	EEI	Port-to-port length LO	Maximum operating pressure PN	Mains connection	Gross weight, approx. m	Pieces per pallet	Article number
Yonos PICO 15/1-4	G 1	0.18	130 mm	10 bar	1~230 V, 50/60 Hz	1.8 kg	198	4215511
Yonos PICO 15/1-6	G 1	0.20	130 mm	10 bar	1~230 V, 50/60 Hz	1.8 kg	198	4215512
Yonos PICO 25/1-4	G 1½	0.18	180 mm	10 bar	1~230 V, 50/60 Hz	2 kg	198	4215513
Yonos PICO 25/1-4-130	G 1½	0.18	130 mm	10 bar	1~230 V, 50/60 Hz	1.9 kg	198	4215514
Yonos PICO 25/1-5-130	G 1½	0.20	130 mm	10 bar	1~230 V, 50/60 Hz	1.9 kg	198	4215522
Yonos PICO 25/1-6	G 1½	0.20	180 mm	10 bar	1~230 V, 50/60 Hz	2 kg	198	4215515
Yonos PICO 25/1-6-130	G 1½	0.20	130 mm	10 bar	1~230 V, 50/60 Hz	1.9 kg	198	4215516
Yonos PICO 25/1-8	G 1½	0.23	180 mm	10 bar	1~230 V, 50/60 Hz	2.3 kg	198	4215517
Yonos PICO 25/1-8-130	G 1½	0.23	130 mm	10 bar	1~230 V, 50/60 Hz	2.1 kg	198	4215518
Yonos PICO 30/1-4	G 2	0.18	180 mm	10 bar	1~230 V, 50/60 Hz	2.2 kg	198	4215519
Yonos PICO 30/1-6	G 2	0.20	180 mm	10 bar	1~230 V, 50/60 Hz	2.2 kg	198	4215520
Yonos PICO 30/1-8	G 2	0.23	180 mm	10 bar	1~230 V, 50/60 Hz	2.4 kg	198	4215521



## Data sheet

### Hydraulic data

Maximum operating pressure $P_N$	10 bar
Head max $H_{max}$	7.6 m
Flow max $Q_{max}$	4.4 m <sup>3</sup> /h
Minimum suction head at 50 °C $m$	0.5 m
Minimum suction head at 95 °C $m$	3 m
Minimum suction head at 110 °C	10 m
Min. fluid temperature $T_{min}$	-10 °C
Max. fluid temperature $T_{max}$	95 °C
Max. fluid temperature at max. ambient temperature of +25 °C $T_{max}$	95 °C
Max. fluid temperature at max. ambient temperature of +40 °C $T_{max}$	95 °C
Min. ambient temperature $T_{min}$	-10 °C
Max. ambient temperature $T_{max}$	40 °C

### Motor data

Energy efficiency index (EEI)	0.23
Mains connection	1-230 V ±10%, 50/60 Hz
Rated power $P_2$	58 W
Min. speed $n_{min}$	500 1/min
Max. speed $n_{max}$	4800 1/min
Power consumption $P_{1 min}$	4 W
Power consumption $P_{1 max}$	75 W
Interference emission	EN 61000-6-3
Interference immunity	EN 61000-6-2
Electromagnetic compatibility	EN 61800-3
Threaded cable connection	1 x PG11
Insulation class	F
Protection class	IPX4D

### Materials

Pump housing	Grey cast iron
Impeller	PP-GF40
Shaft	Stainless steel
Bearing	Carbon, metal-impregnated

### Installation dimensions

Pipe connection on the discharge side $DN_d$	G 1½
Pipe connection on the suction side $DN_s$	G 1½
Port-to-port length $L_0$	130 mm

## Equipment/function

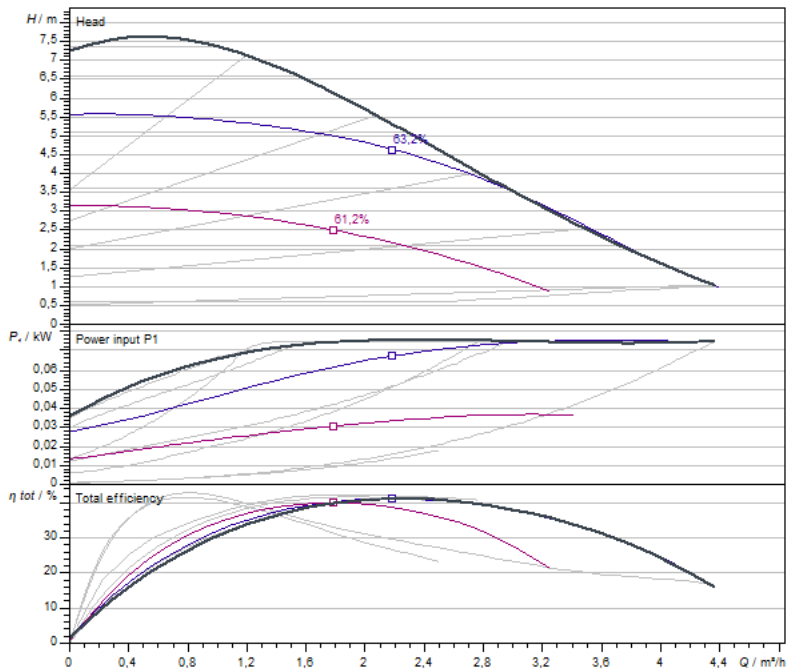
### Function

Control mode	$\Delta p-v$ for variable differential pressure $\Delta p-c$ for constant differential pressure Constant speed (3 speed stages)
Display	Setpoint Actual volume flow Actual power consumption Fault signals (error codes) Manually activated restart or pump venting function
Pump venting function	Manual

### Equipment

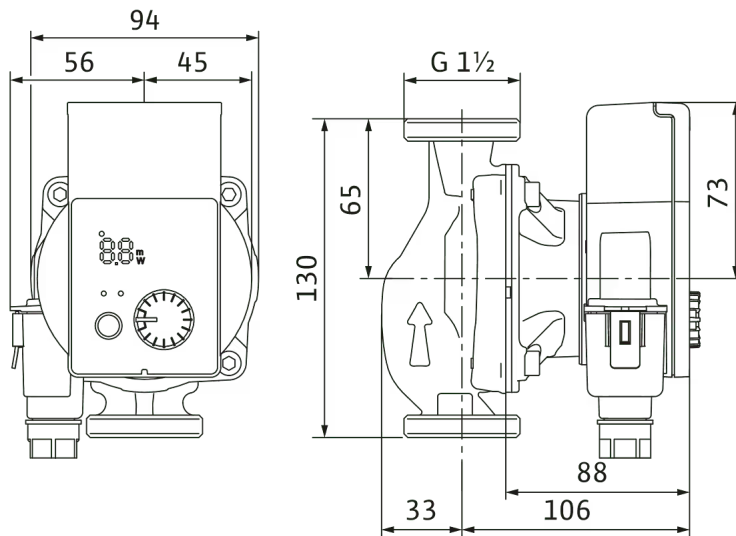
Approvals and labels	CE VDE EAC
Display	LED segment display
Display information	Basic Versio n: LED display (small) for showing the set head or speed stage.
Pump control	Electronic-controlled pump (high efficiency pump)
Quick electrical connection	Wilo Connector
Thermal insulation shell	As accessory
Blocking-current proof motor	yes
Particle filter	yes

Pump curves

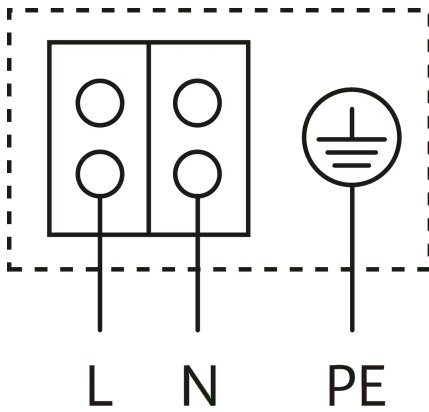


Dimensions and dimensions drawings

Wilo-Yonos PICO 25/1-8-130 PN 10



Wiring diagram



Blocking current-proof motor  
 Single-phase motor (EM) 2-pole - 1~230 V, 50 Hz

Ordering information

Product data	
Brand	Wilo
Product description	Yonos PICO 25/1-8-130
Article number	<a href="#">4215518</a>
EAN number	4048482758503
Colour	Green
Minimum order quantity	1
Date of sales availability	2017-09-01

Packaging	
Packaging type	Cardboard box
Packaging property	Sales packaging
Pieces per pallet	198
Number per layer	24

Dimension, weight	
Length with packaging	194 mm
Length <i>L</i>	138 mm
Height with packaging	105 mm
Height <i>H</i>	102 mm
Width with packaging	174 mm
Width <i>W</i>	143 mm
Gross weight, approx. <i>m</i>	2.1 kg
Net weight, approx. <i>m</i>	1.9 kg

**Tender text**

High-efficiency pump Wilo-Yonos PICO, electronically controlled. Maintenance-free glandless circulator with screwed connection, blocking-current proof synchronous motor according to ECM technology and built-in electronic power control for variable differential pressure control. Can be used for all heating and air-conditioning applications. Control mode can be selected in accordance with the radiator/underfloor heating application.

Standard-equipped with:

- > Preselectable control modes for optimum load adjustment: Differential pressure constant ( $\Delta p-c$ ), differential pressure variable ( $\Delta p-v$ ), constant speed (3 pump

curves)

- > Integrated motor protection
- > LED for setting the setpoint, displaying the current consumption in watts and the flow rate in  $m^3/h$
- > Automatic deblocking function
- > Manual pump venting function for venting the rotor chamber
- > Manual restart

**Operating Data**

Fluid temperature <i>T</i>	-10 °C
Ambient temperature <i>T</i>	-10 °C
Maximum operating pressure <i>PN</i>	10 bar
Minimum suction head at 50 °C <i>m</i>	0.5 m
Minimum suction head at 95 °C <i>m</i>	3 m
Minimum suction head at 110 °C	10 m

**Motor data**

Energy efficiency index (EEI)	0.23
Interference emission	EN 61000-6-3
Interference immunity	EN 61000-6-2
Mains connection	1-230 V, 50/60 Hz
Power consumption <i>P</i> <sub>1 max</sub>	75 W
Min. speed <i>n</i> <sub>min</sub>	500 1/min
Max. speed <i>n</i> <sub>max</sub>	4800 1/min
Protection class motor	IPX4D
Threaded cable connection	1 x PG11

**Materials**

Pump housing	Grey cast iron
Impeller	PP-GF40
Shaft	Stainless steel
Bearing	Carbon, metal-impregnated

**Installation dimensions**

Pipe connection on the suction side <i>DNs</i>	G 1½
Pipe connection on the discharge side <i>DNd</i>	G 1½
Port-to-port length <i>L0</i>	130 mm

**Ordering information**

Brand	Wilo
Product description	Yonos PICO 25/1-8-130
Net weight, approx. <i>m</i>	1.9 kg
Article number	<b>4215518</b>

**Services**

With Wilo as your partner, you can not only be sure of choosing high-quality product solutions, but also of benefiting from a comprehensive, worry-free package of well thought-out services. We collaborate to develop a service concept tailored to your individual needs; with our expertise and personal consultancy, we make sure that the operation of your systems is as energy-efficient, reliable and economical as possible. All the while our competent Wilo service technicians are ready to assist you with fast, reliable and on-time support.

**Recommended services**

Wilo-Live Assistant Service	2216415
System Optimisation Glandless pumps	2219250
Energy Solutions Glandless pumps	2219285

**More suitable services**

Extended warranty glandless pumps	2219589
Supervision Glandless pumps	2219320
Installation Glandless pumps	2219355
Commissioning Glandless pumps	2219390
Maintenance BASIC Glandless pumps	2219530
Maintenance COMFORT Glandless pumps	2219416
Maintenance PREMIUM Glandless pumps	2219545



