

T80Z Fast-Fit DuElec™

Electric Shower



Product Codes

T80Z Fast-Fit DuElec™ - 9.5kW	GEFFDU91
T80Z Fast-Fit DuElec™ - 10.5kW	GEFFDU11

Installation

- Inlet connection: 15mm diameter
- Outlet connection: 1/2" BSP male thread
- Generous footprint will cover the original T80Z Fast-Fit as well as most competitor models
- 8 water and 6 cable entry points
- Easy pipe connection either left or right, 15mm compression fitting
- Wire free cover fit
- Easy fit entry trims which can be installed with the shower in situ, no tools required
- Swing-Fit™ for left and right-hand side cable connections
- Swivel Fit™ for left and right-hand side water connections

Commissioning

- Simple 2 minute commissioning process

End User

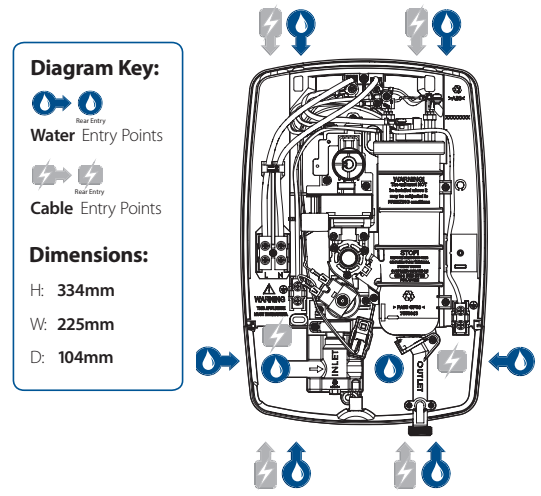
- Choice of showering experience - Divert water between a 5 spray pattern shower head and luxurious fixed rainfall shower head, or even use both together
- Separate flow and temperature controls
- Push-Button Start/Stop – Retains your preferred power and temperature setting
- Easy Clean 5 spray pattern shower head with removable spray plate
- 1.25m Anti-Twist Hose – Designed to avoid kinks
- Efficient A energy rating



T80Z Fast-Fit DuElec™

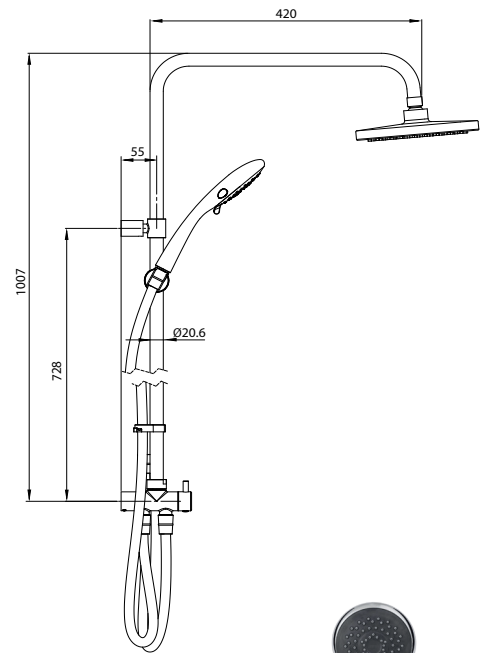
Electric Shower

Shower	
Temperature stability	Stabilised
Power ratings	9.5kW, 10.5kW (240v)
Finish	White
Controls	Start/stop button & temperature control dial
Visual indicators	Power-on/low pressure indicator
Inlet Connection	15mm compression
Water Entry Points	Top, bottom, side bottom, back (left hand side unit) Top, bottom, side bottom, back (right hand side unit)
Cable Entry Points	Top, bottom, back (left hand side unit) Top, bottom, back (right hand side unit)
Outlet Connection	½" BSP
Plumbing System Compatibility	Cold mains only
Minimum Running Pressure/Flow	1 bar at 8l/min 1.5 bar at 11l/min for 10.5kW*
Maximum Static Pressure	10 Bar
Surface Mounted Only	
Approvals, Complies with	BEAB, CE, BSI Kitemark
Guarantee	2 years



DuElec™ Riser Rail Kit

Length	1007mm / 40inches
Diameter	20.5mm / 0.81 inches
Material	Stainless Steel
Finish	Chrome
Hose	1.25m Anti-twist (main hose) 0.75m (Connector hose)



IMPORTANT MAINTENANCE NOTICE

Replacing specified Triton accessories for this T80Z Fast-Fit DuElec™ unit will aid optimum performance and maintain a valid guarantee



Isabel – Circular Fixed Shower Head
Chrome
TSHFISABCH



8000 Series Shower Head
Chrome
TSH8RCCHR



1.25m Anti-Twist Shower Hose
Chrome
TSHG1203

Contact our specification team

Call: 02476 324 776 | Email: specification@tritonshowers.co.uk | Web: www.tritonshowers.co.uk/specifiers