

AI-171 & AI-373 intaball

butterfly handle ball valves



altecnic

AI-171 & AI-373 intaball butterfly handle ball valves



Application

The Altecnic Intaball butterfly handle ball valves with compression or threaded ends is the ideal isolation valve, for use in copper or steel pipe systems and with threaded adaptors for a variety of other pipe materials.

Suitable for isolating individual outlets, or providing isolation for 'Y' strainers or control valves, should maintenance be required.

In larger systems they can provide isolation on heating, the primary side of HWS and cold water services and many industrial applications including air and non corrosive liquids.

Design

The Intaball full bore brass ball valves with butterfly handle, operate through 90°, with bi-directional flow.

Hard chrome plated ball for increased wear resistance.

Compact design, with PTFE body seats for reliable isolation.

Anti blow-out stem.

Supplied with compression ends complying with BS EN 1252-2 for use with R250 (half hard) copper tube or parallel threaded ends complying with BS EN ISO 228-1

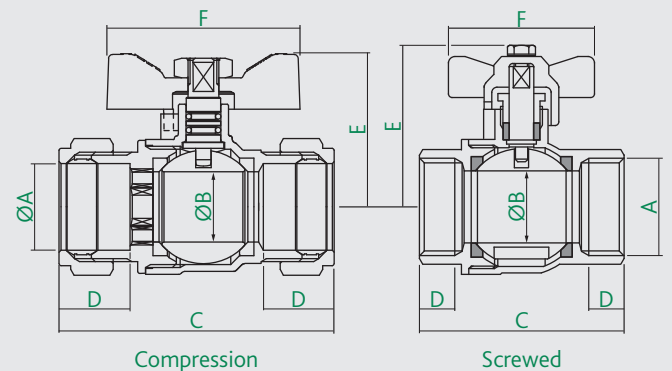
Valves are available with either a red or blue butterfly handles for visual indication of hot or cold service.

Construction Details

Component	Material	Grade
Body	Brass - nickel plated	BS EN 12165 CW617N
End connection	Brass - nickel plated	BS EN 12165 CW617N
Ball seat	PTFE	
Ball	Brass - chrome plated	BS EN 12164 CW617N
Stem	Brass	BS EN 12164 CW617N
Stem retaining ring	Brass	BS EN 12164 CW617N
Gland packing	PTFE	
Stem seal 'O' ring	Nitrile rubber	
Compression nut	Brass	BS EN 12164 CW617N
Olive	Brass	BS EN 12449 CW508LM

Product Code Blue Lever	Product Code Red Lever	Size	Connection
AI-373115	AI-373RB5	15	copper x copper
AI-373222	AI-373RB2	22	copper x copper
AI-373228	AI-373RB8	28	copper x copper
AI-171BB4	AI-171RB4	½"	f x f screwed iron
AI-171BB5	AI-171RB5	¾"	f x f screwed iron

Dimensions



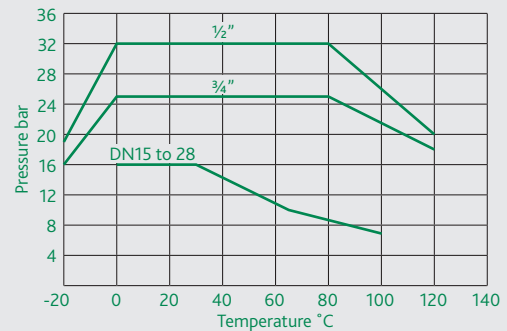
Size	A	B*	C	D	E	F	kg
DN15	15	13.5	62.8	17.7	36.5	50	0.19
DN22	22	18	71	18.4	39	50	0.31
DN28	28	23.5	82	21.4	51.5	60	0.55
½"	G½"	15	50.5	10.5	38	50	0.17
¾"	G¾"	20	61	12	41	50	0.25

* exceeds the full bore diameter circle specified in BS EN 13547.

Technical Data

Conforms to:	BS EN 13828
Compression Press. / Temp. Rating:	BS EN 1254-2
Max. Temperature at 16 bar:	30°C
Max. Temperature at 10 bar:	65°C
Max. Temperature at 6.9 bar:	100°C
Screwed Max. Pressure - Size ½"	32 bar
- Size ¾"	25 bar
PED directive classification Group 2 Liquids SEP	

Pressure - Temperature Diagram



Installation

The valves are very simple to install with just two joints to make.

Ensure the valve with the correctly coloured butterfly handle is fitted for the service.

Altecnic Ltd Mustang Drive, Stafford, Staffordshire ST16 1GW

T: +44 (0)1785 218200 E: sales@altecnic.co.uk

Registered in England No: 2095101

altecnic.co.uk

AL 023 15-09-21

E & O.E

© Altecnic Limited. 2021

ALTECNIC™

altecnic