

Dudley



OSMO T1

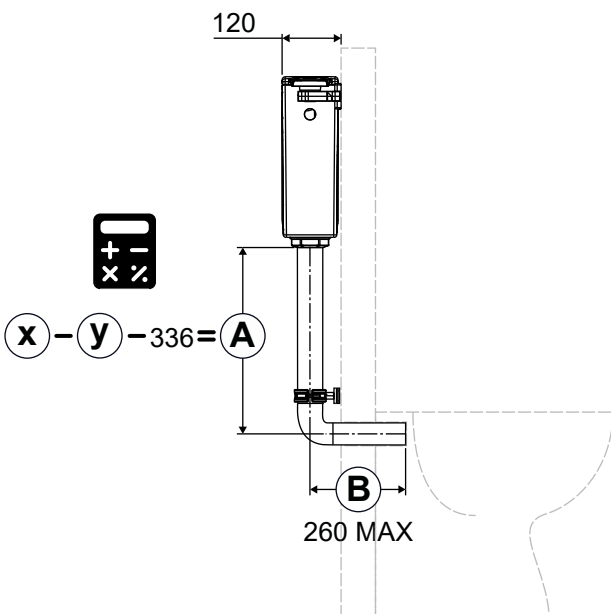
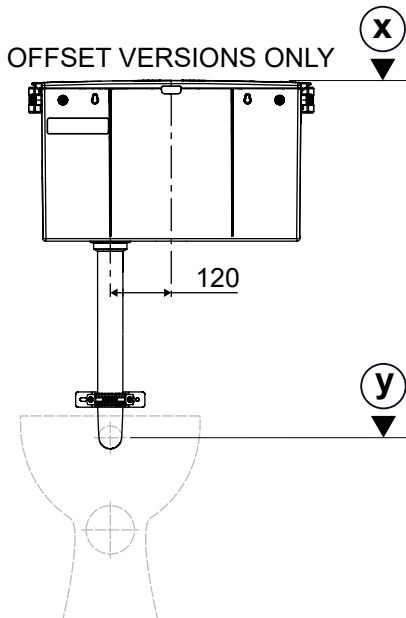
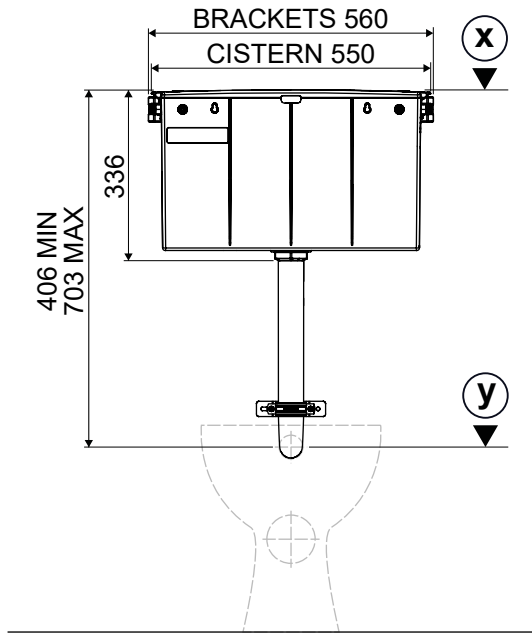
QUICK-RELEASE PNEUMATIC TOP ACCESS CONCEALED CISTERN



INSTALLATION GUIDE



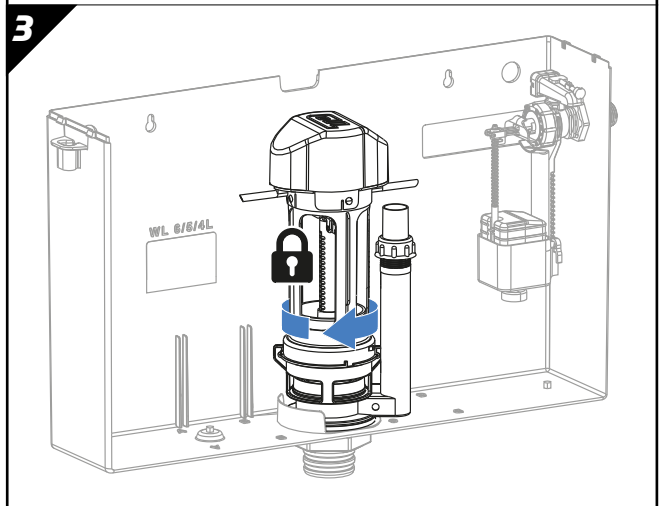
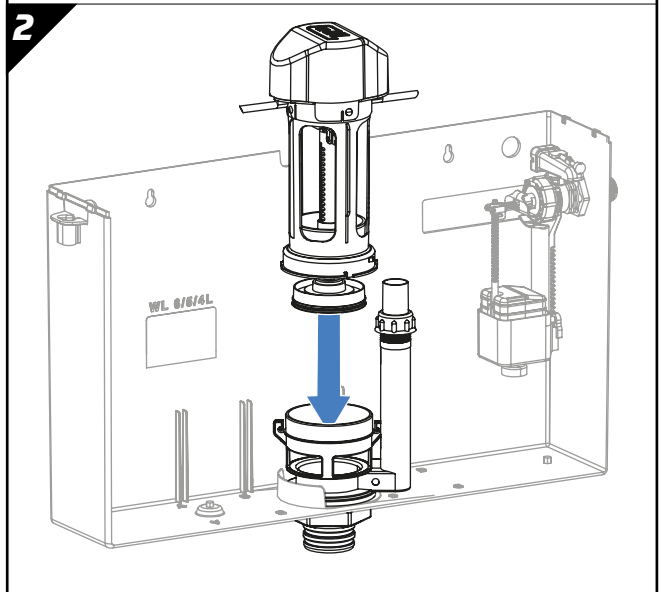
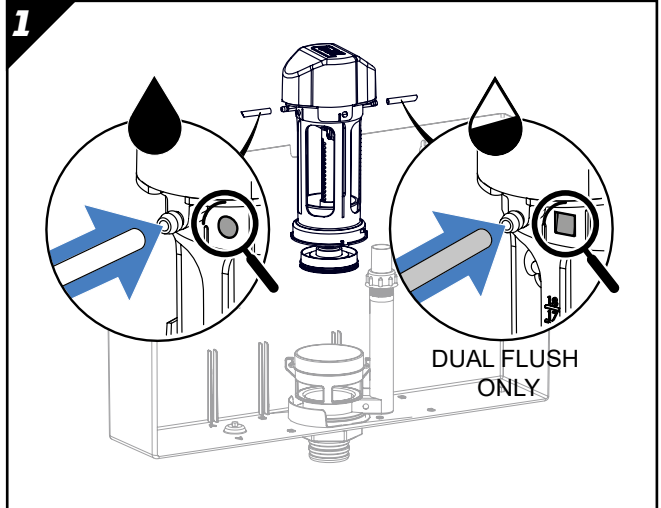
REFERENCE DIMENSIONS



IMPORTANT NOTES

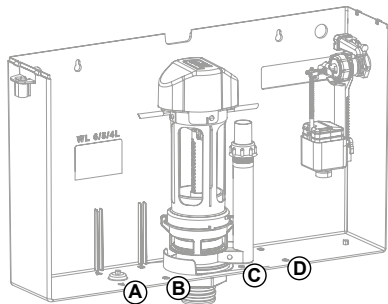
In addition to reference dimensions, allowance must be made for isolation valve, piping and button.

No sealing compound, paste, flux or solvent to be used in contact with plastic or rubber surfaces to avoid damage. Rubber washers will provide adequate seal. PTFE tape may be used on threads. Do not over tighten plastic nuts. No chemical block/additive to be used in this cistern.

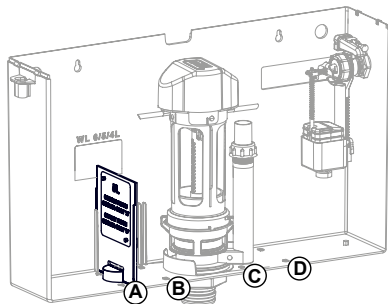


4 CENTRE OUTLET

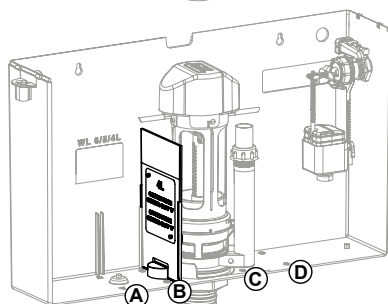
6L
MONO
6/4L
DUAL



5L
MONO
5/3L
DUAL

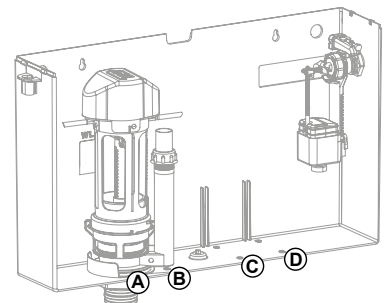


4L
MONO
4/2.6L
DUAL

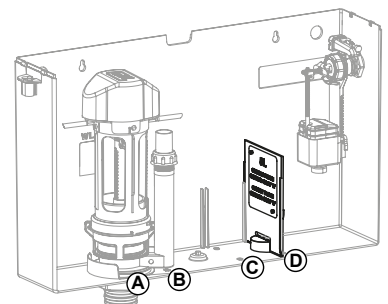


OFFSET OUTLET

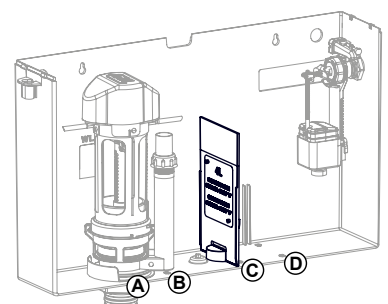
6L
MONO
6/4L
DUAL



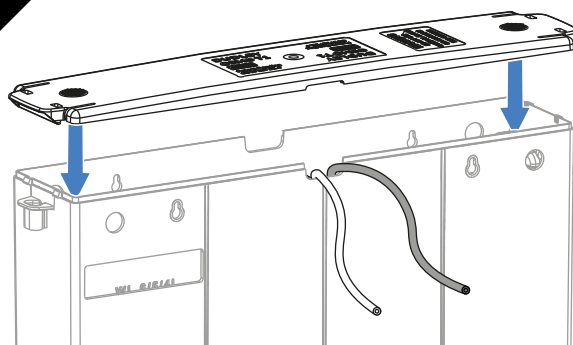
5L
MONO
5/3L
DUAL



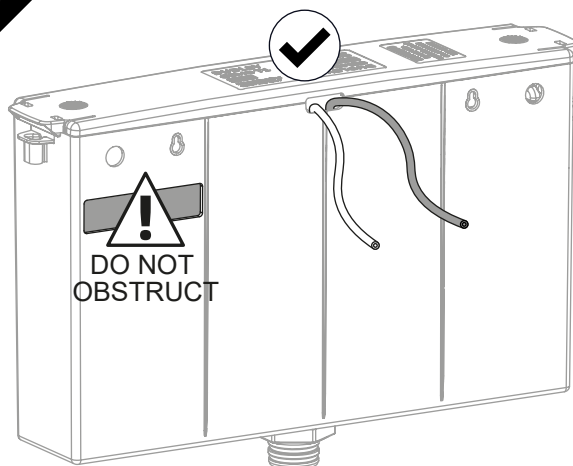
4L
MONO
4/2.6L
DUAL



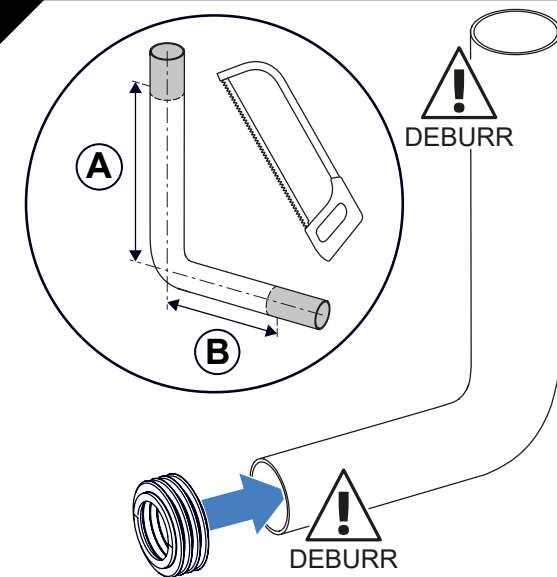
5



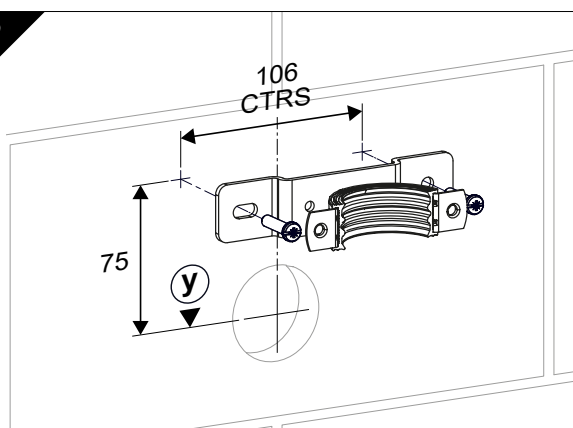
6

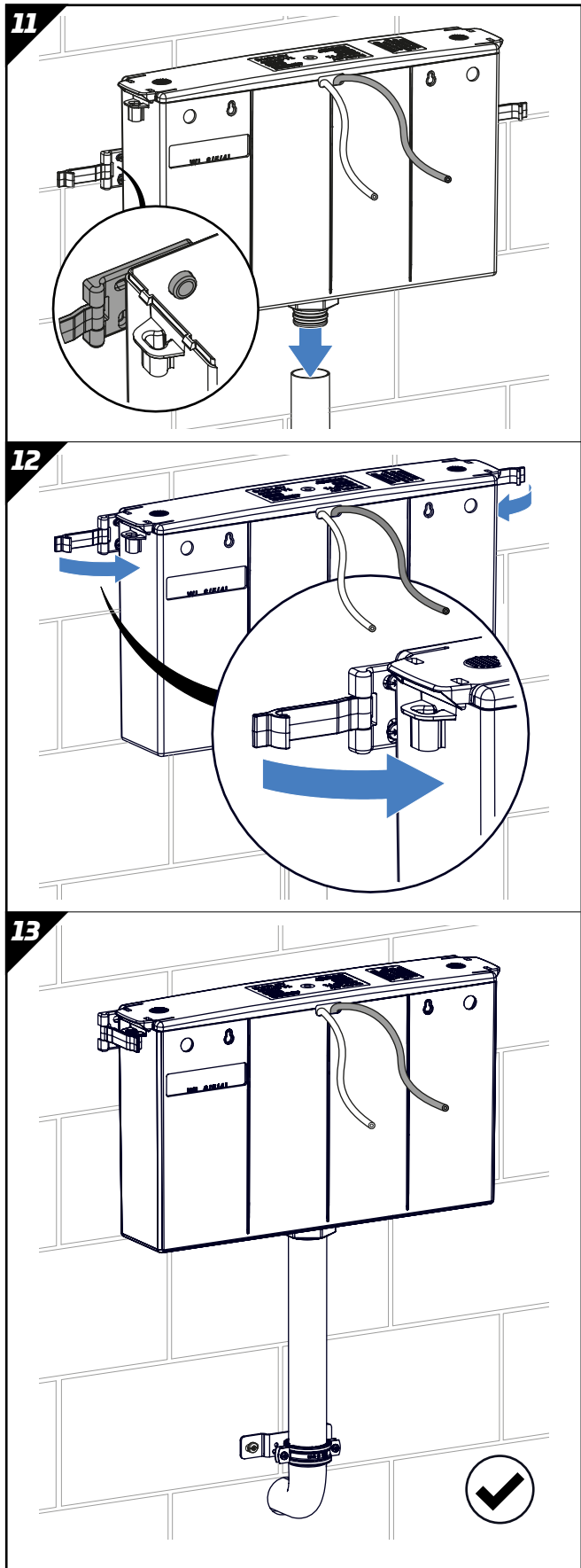
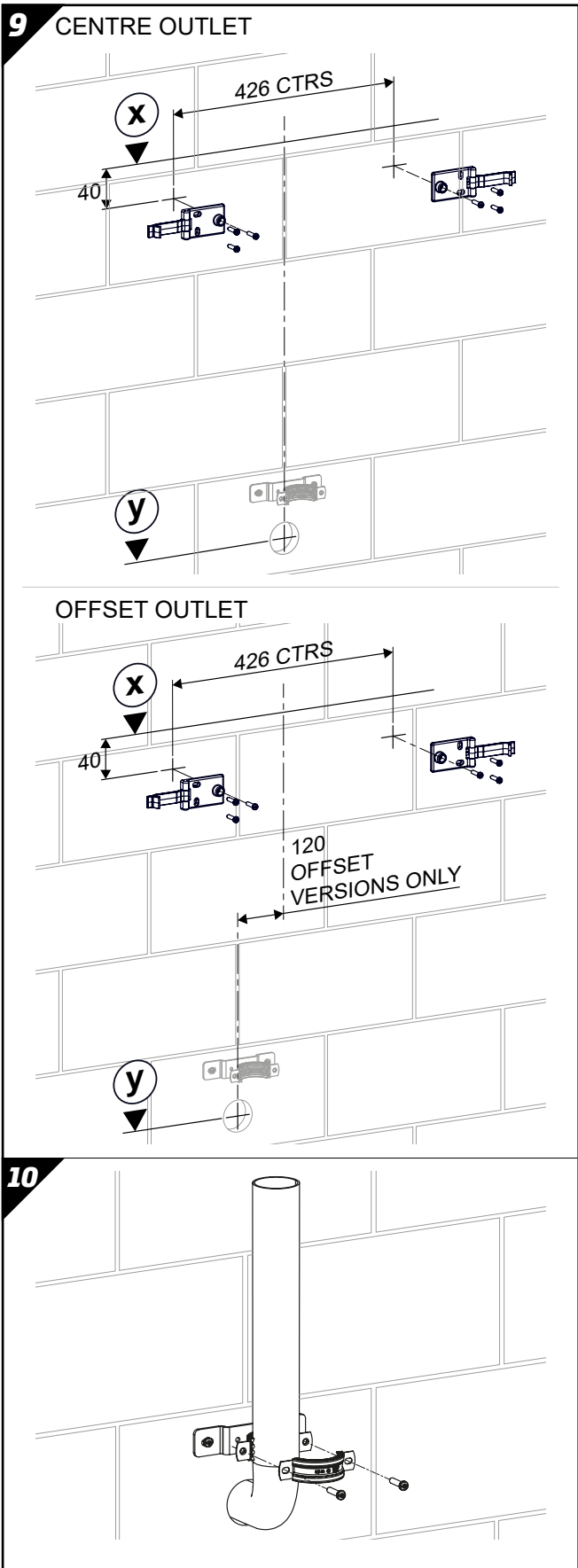


7



8





TYDE
 295 Birmingham New Road
 Dudley, West Midlands
 United Kingdom
 DY1 4SJ

A Thomas Dudley Business
 t +44 (0)121 557 5411
 f +44 (0)121 557 5345
 e info@tyde.co.uk
 w www.thomasdudley.co.uk/tyde

© 2020 TYDE_R377253_14841 Iss A

