

Smart Programmable Thermostat C1727

Installation and commissioning guide

Disclaimer

Copyright © 2020-21, SIHPL. All rights reserved. E&OE.

Smart Programmable Thermostat C1727 is registered trade name of Secure Meters Ltd.

Other product names are trademarks or registered trade names of their respective owners.

As part of Secure Meter's continuous endeavour to improve, product design and specifications mentioned are liable to change. System functionality information, illustrations and product aesthetics published in the document may vary from those of your product.

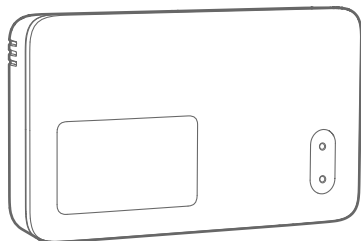
**Installation
by an expert
recommended**



BS 7671:2008

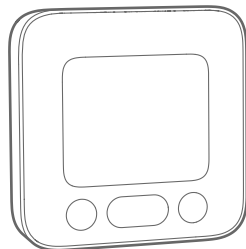
The Secure Controls products requires electrical connections at mains voltage and should be installed by a suitably competent person, in accordance with Part P of the Building Regulations, BS 7671:2008, (e.g. an electrical contractor registered with an authorised competent person self-certification scheme).

In the box



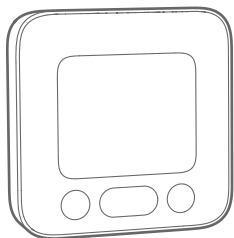
Receiver C1727

Pre-paired



**Programmable Thermostat
Display PTD**

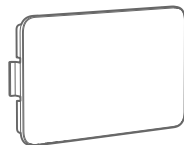
Optional (To be purchased separately)



Extra PTD
(Additional PTD
for extra zones)



Temperature Sensor THS
(Additional temperature sensor
for extra zones)



WiFi Extender HC2.4
(Add-on WiFi adapter)

Know your products

Receiver C1727

- Mains-powered device, compatible with Combination, System and Regular boilers (Heat+hotwater+zones)
- Communicates wirelessly with PTD, temperature sensor and mobile app
- Variant with WiFi module available for remote access
- Simple installation for retrofits with minimum wiring changes required
- Supports boiler plus compliance, load compensation and service interval functionality
- 7 year no quibble warranty

Programmable thermostat display (PTD)

- Independently controls heating and hot water
- No need for WiFi when programming schedule
- Home and Away one-click function
- Guaranteed 12 year battery life
- Easy and intuitive 7 day programming

Temperature sensor THS

- Cost-effective add on device to manage additional heating zones
- Wireless and simple to install

WiFi Extender HC2.4

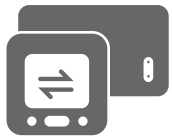
- Plug and play wireless module to control your system remotely
- Works well with 2.4 GHz wireless router

What is covered?

How to



Install



Setup system using PTD



Test

①



Receiver C1727

②

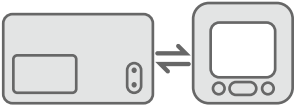


Programmable
Thermostat
Display PTD

③



User mobile app



Establish communication



Compatibility

The C1727 Smart Programmer is compatible with most heating control systems and is ideal for S and Y plan system boilers using spring return valves.

It works well with compatible combination or system boilers as well as heat pumps requiring On/Off control. Shipped with a standard 6-pin back plate, it can easily replace Centaurplus and Serviceplus time switches and programmers requiring minimum of wiring changes.



CAUTION

Failure to observe precautions may result in fatal injury and equipment damage



SHOCK

Hazard of electrical shock or explosion



Double insulation protection



RF



Prerequisites

For installation

Tools / things you may need:



Flat head screw driver



Phillips head screw driver



Drill machine (2.5 mm drill bit)



Wire stripper



Plier



Hammer



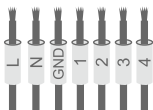
Wall anchors and screws



Cable



Pencil/Pen



Identification sleeves



Measuring tape

For commissioning

To commission your system, you need:



Secure Controls PTD

Or



Smartphone



Version 11.0 and above



Marshmallow (version 6.0) and above



Secure installer guide mobile app

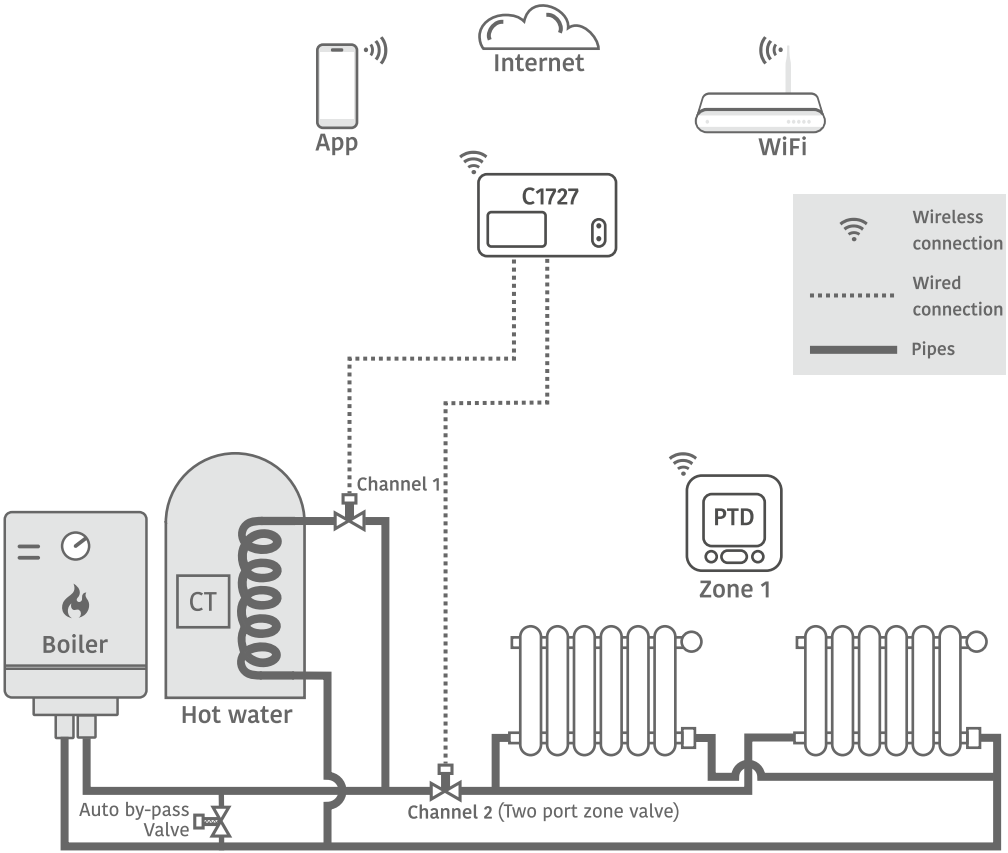


802.11 B/G/N, 2.4 GHz wireless router with internet (If upgrading the receiver for remote control)

Typical system deployments*

Single zone heating and hot water

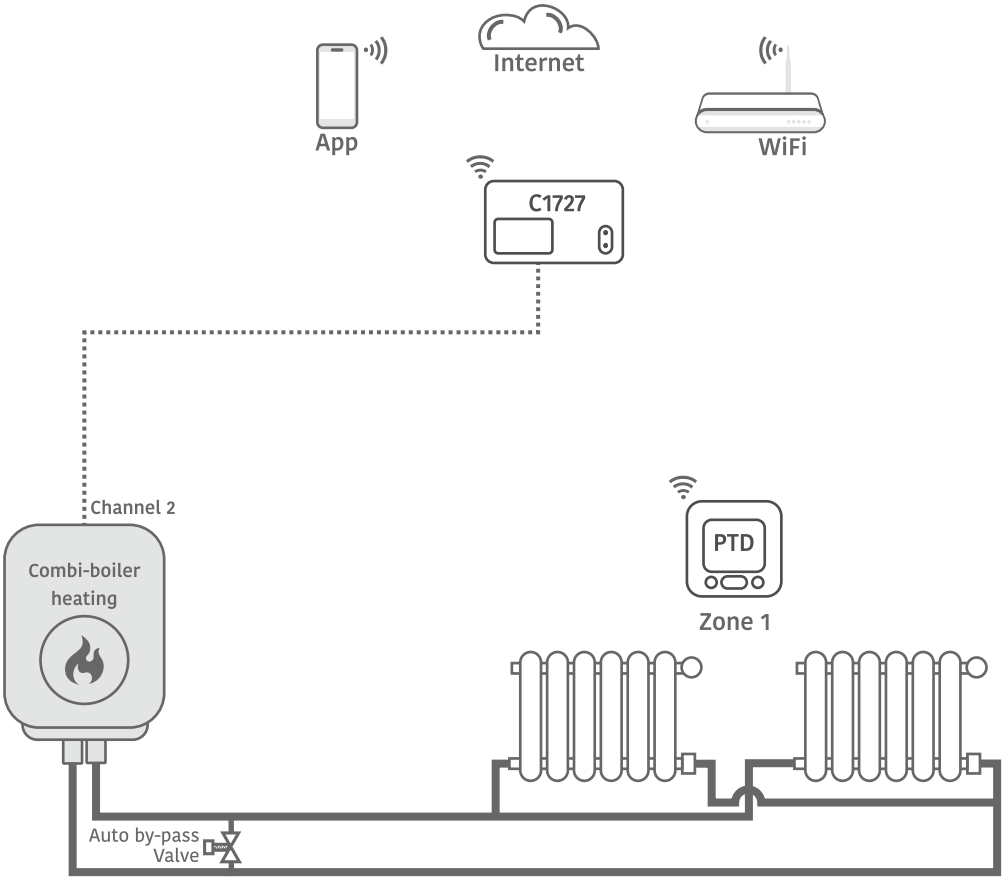
* All graphics are for illustration purpose only



Typical system deployments*

Combi-boiler with 1 zone heating

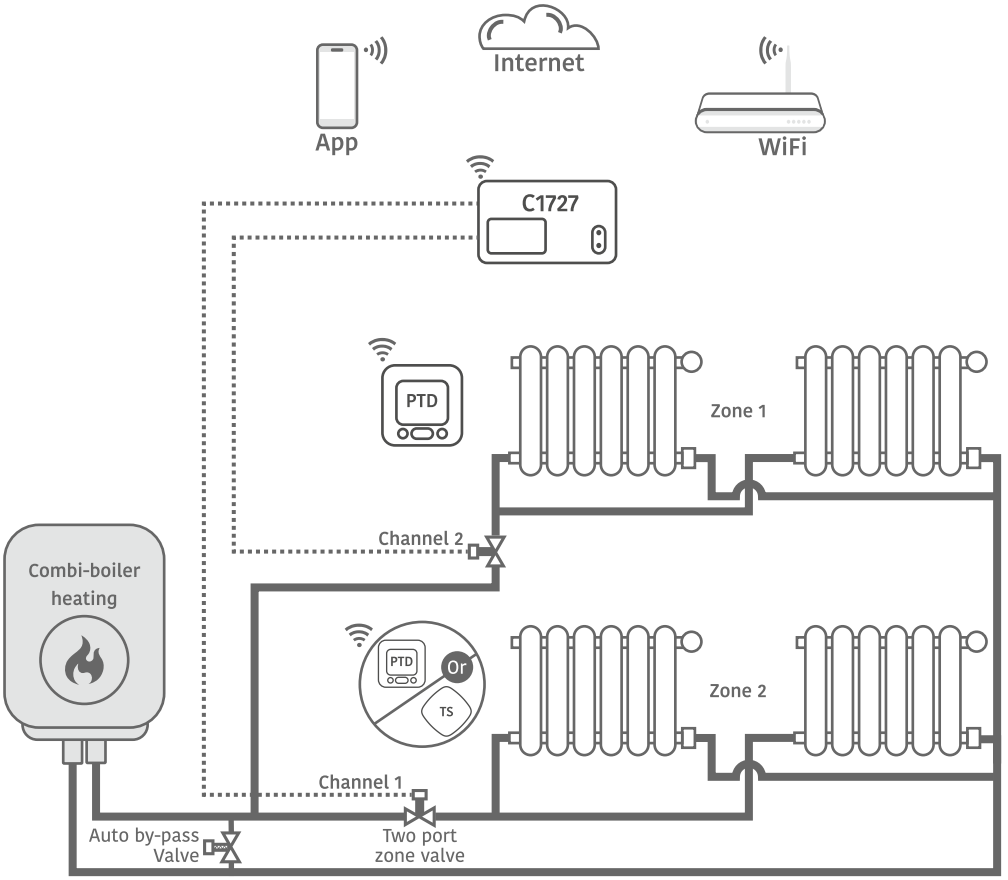
* All graphics are for illustration purpose only



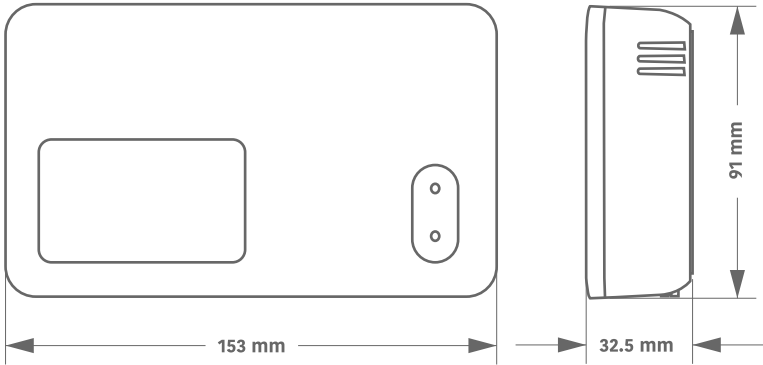
Typical system deployments*

Combi-boiler with 2 zone heating

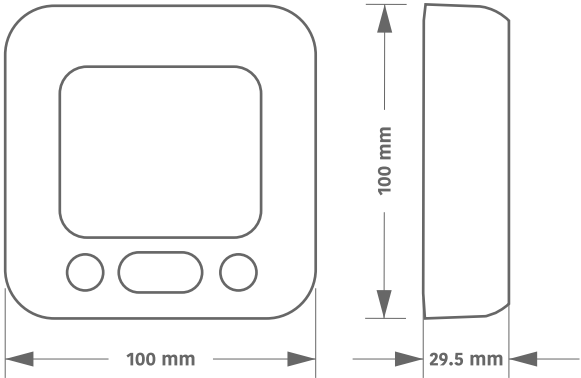
* All graphics are for illustration purpose only



Product dimensions



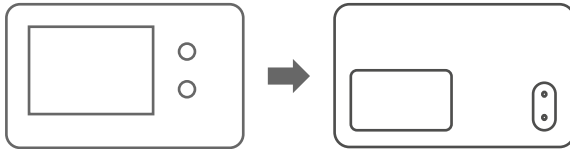
Receiver C1727



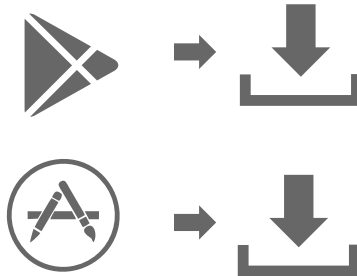
Programmable Thermostat Display PTD

Download the installer mobile app

If you are replacing an existing programmer or time switch or even performing a fresh installation, we recommend that you install the Secure Installer Guide mobile app.



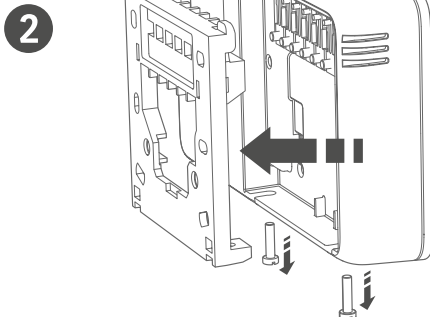
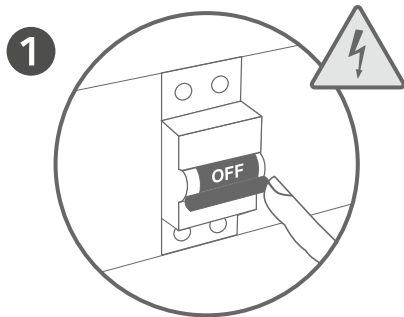
1. Download the Secure installer guide mobile app from the relevant App store



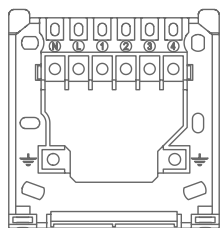
2. Choose your existing product and follow the instructions

Install the receiver

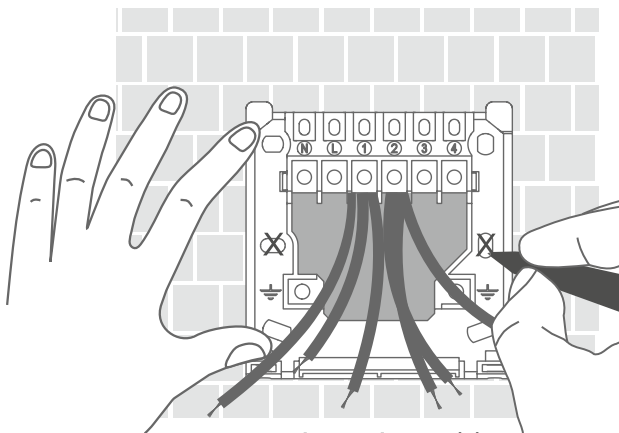
A1



3



Fascia plate

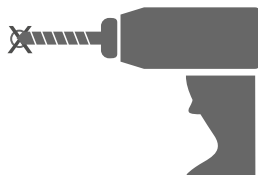
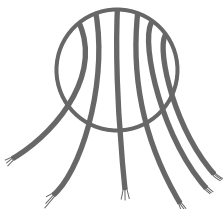


Mark out the position

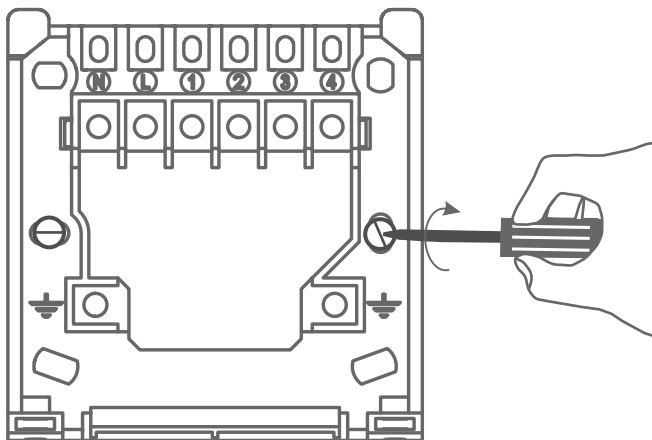
Drill the holes and secure the mounting plate

A2

1



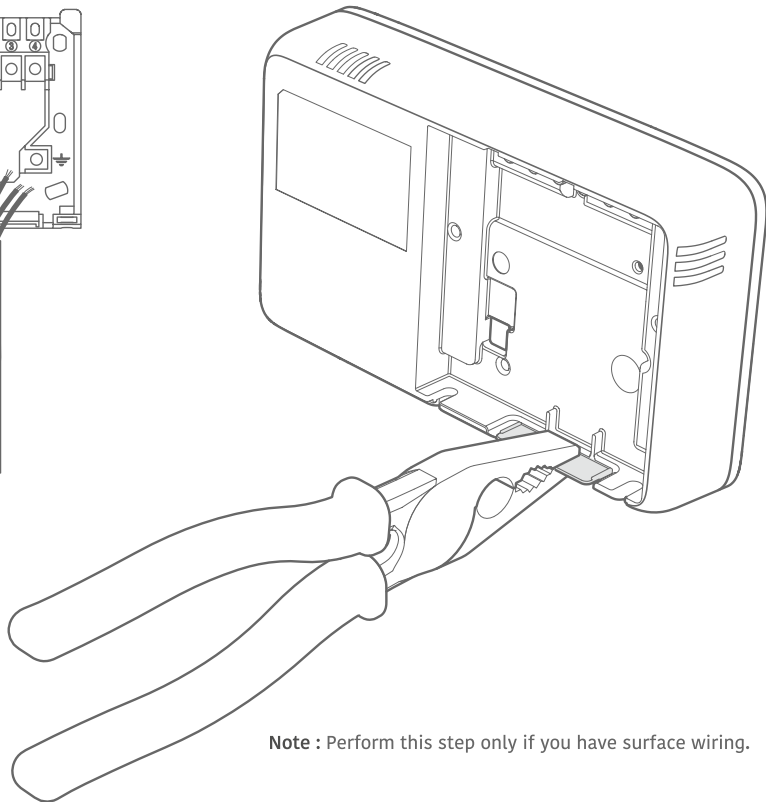
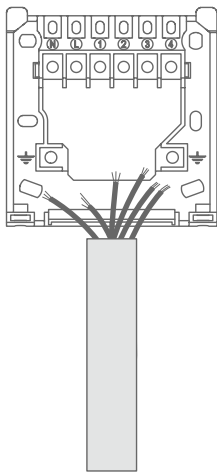
2



M3.5, AB
type screws

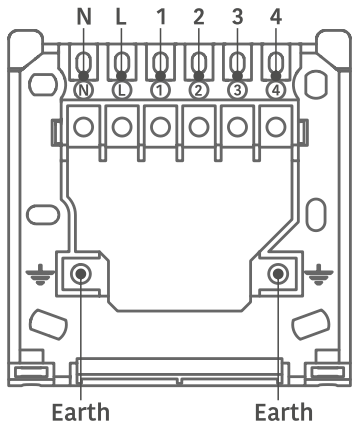
In case of surface wiring (Optional)

Break the surface wiring knockout provided on the receiver before proceeding further.



Note : Perform this step only if you have surface wiring.

Label your wires

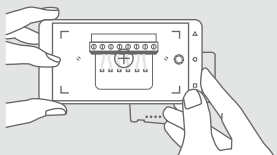


Backplate

Pin	Label	Pin description
N	Neutral	Neutral
L	Live	Live
1	Off 1	Hot water OFF (NC), channel 1
2	COM	Common
3	On 1	Hot water ON (NO), channel 1
4	On 2	Heating ON (NO), channel 2

Note: NC - Normally Closed, NO - Normally Open

If replacing, take a picture of your old thermostat connections, label and re-wire as shown in Secure Controls installer app.

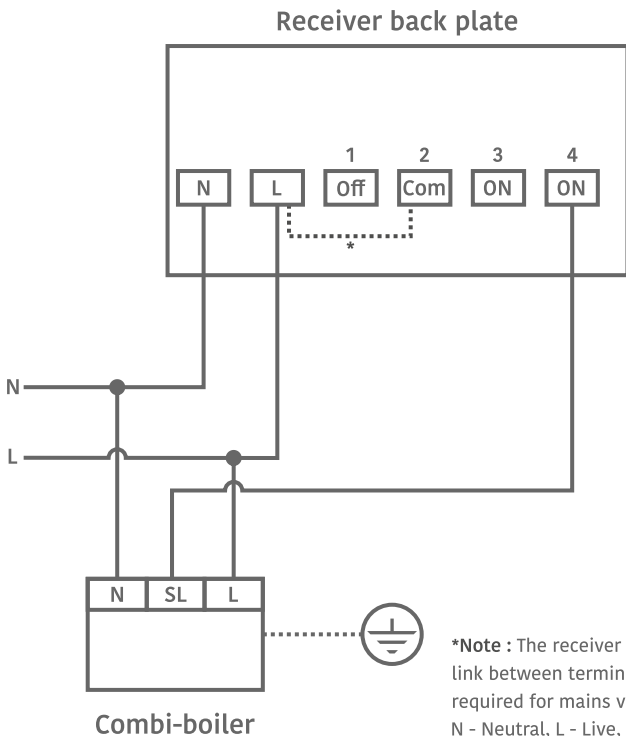


Make connections

This diagram is schematic and should be used for guidance only.

230 V Combi-boiler connection

A3



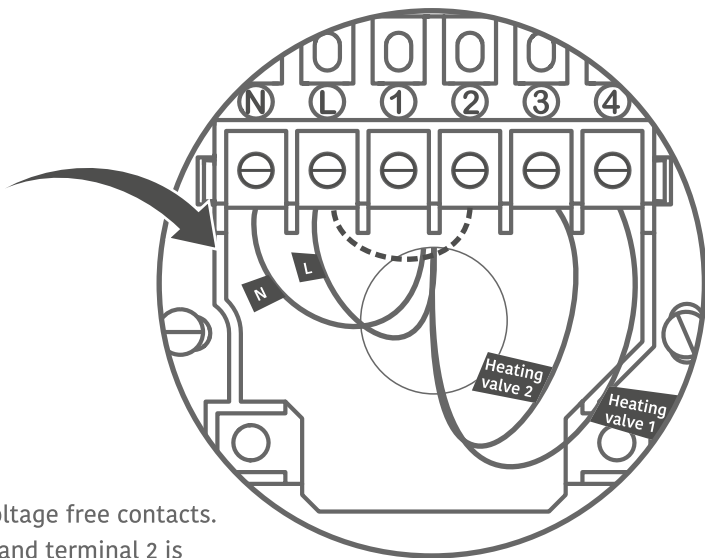
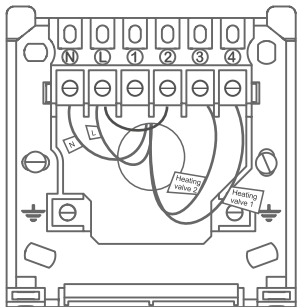
***Note :** The receiver has voltage free contacts. A link between terminal L and terminal 2 is required for mains voltage applications.
N - Neutral, L - Live, SL - Switched Live

Make connections

This diagram is schematic and should be used for guidance only.

2x heating zone system

A3



1.0/1.5 mm²
Torque ≤ 0.5 Nm

***Note :** The receiver has voltage free contacts.
A link between terminal L and terminal 2 is required for mains voltage applications

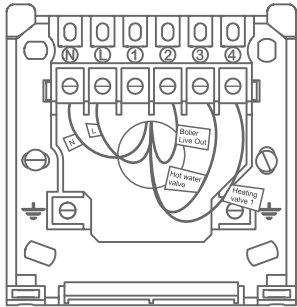
Note: Connections shown for mains operated 2x heating zone system. These may vary for different boiler types.

Make connections

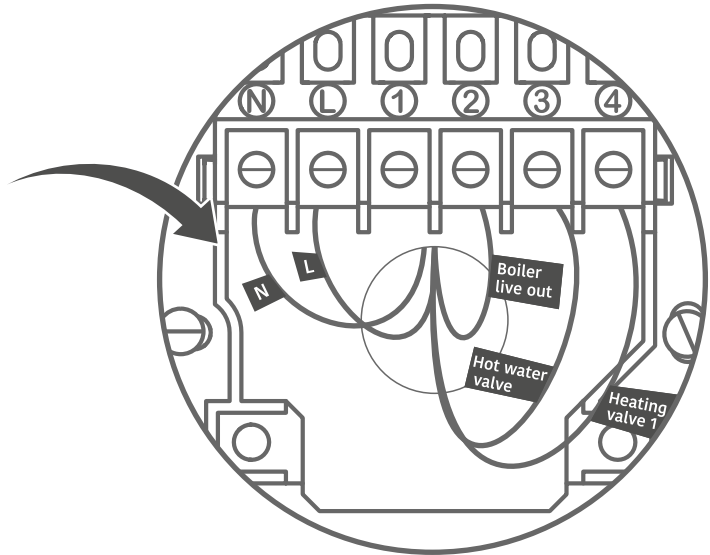
This diagram is schematic and should be used for guidance only.

1x heating + 1x water heating system

A3



1.0/1.5 mm²
Torque ≤ 0.5 Nm



Note: Connections shown for 1x heating and 1x water heating. Connections may vary for different boiler types.

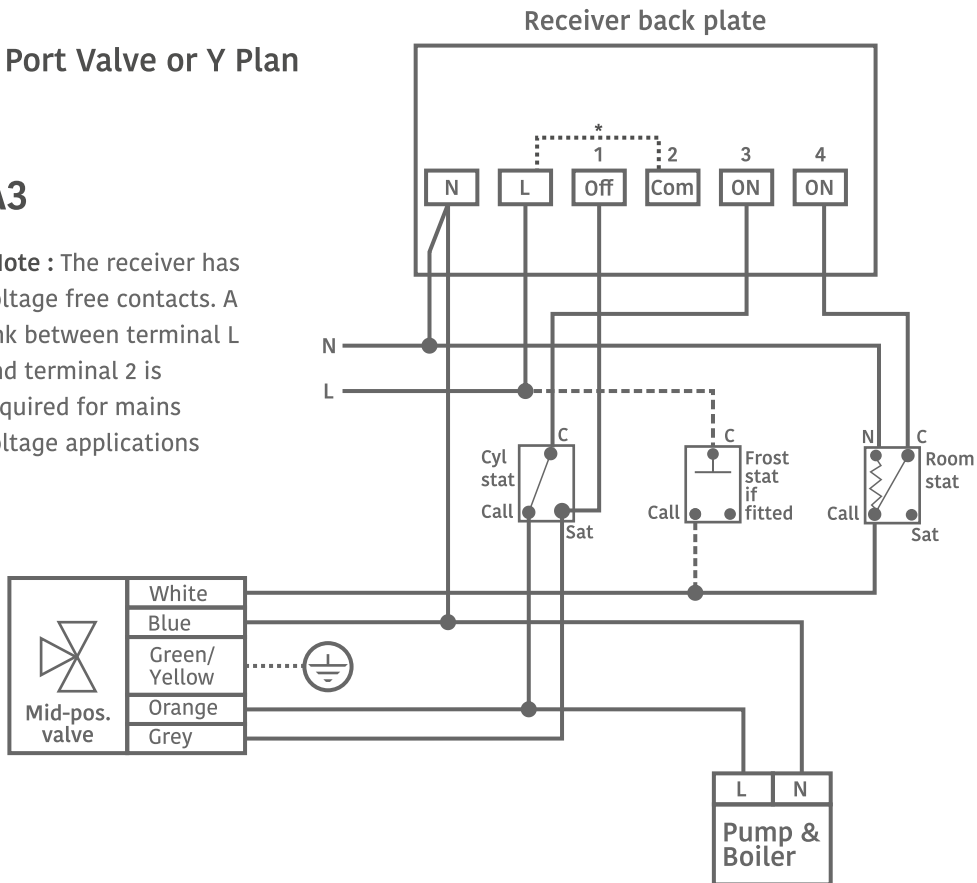
Make connections

This diagram is schematic and should be used for guidance only.

3 Port Valve or Y Plan

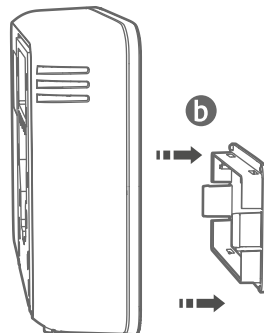
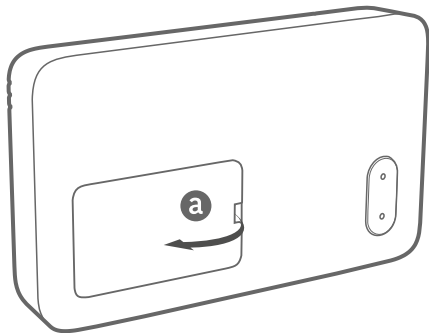
A3

***Note :** The receiver has voltage free contacts. A link between terminal L and terminal 2 is required for mains voltage applications

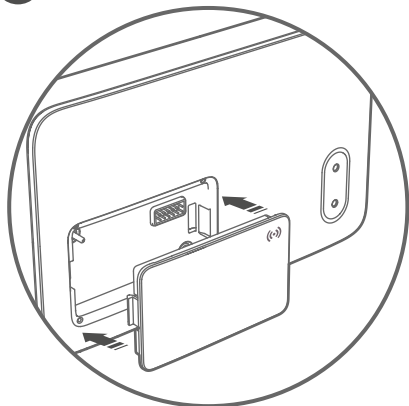


Plug in the WiFi extender HC2.4 (optional)

- 1 Remove dummy cover



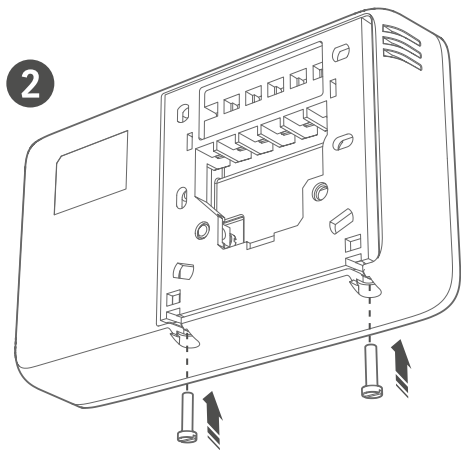
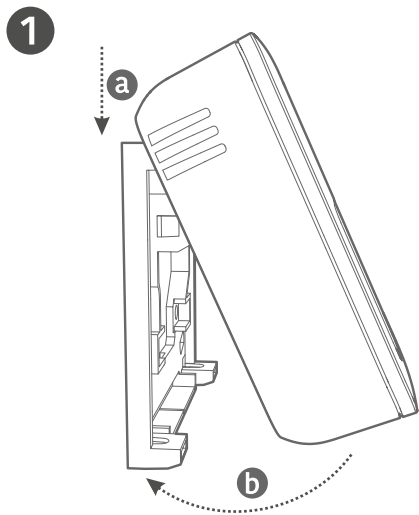
- 2 Plug in the WiFi adapter



Note : WiFi adapter once installed cannot be removed

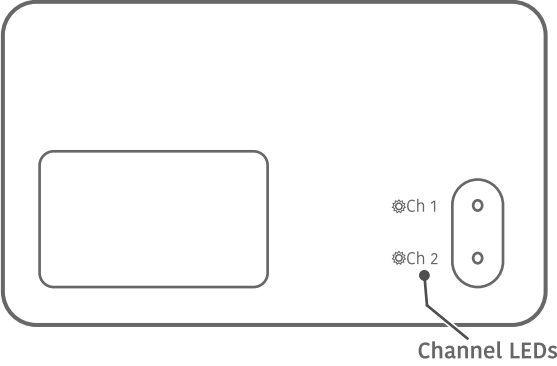
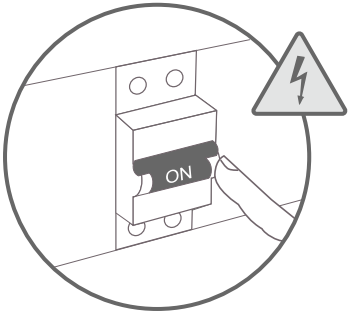
Fit the receiver

A4



Verify installation

A6

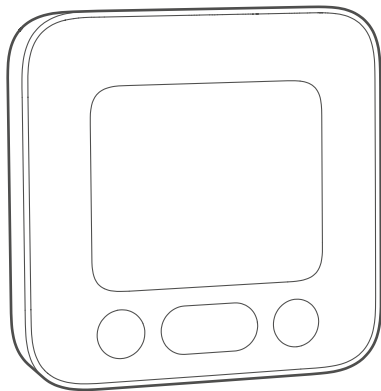


LED states	
Default state	Solid white
During setup	Blinking white
Channel selected	Solid red

*** Note:**

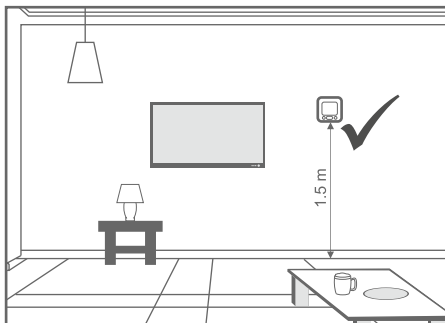
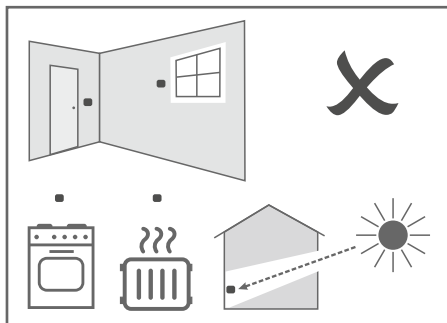
1. Use the top button or bottom button to select the required channel.
2. Long press any button to initiate setup. It suggests that the receiver is ready to be paired with mobile app or another PTD.

Install the PTD



Ideal mounting location

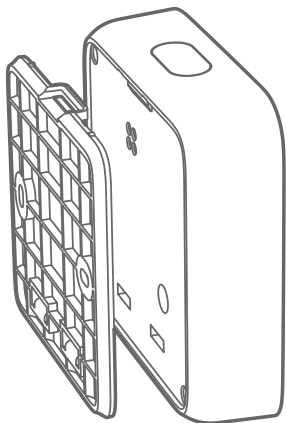
The PTD should be placed approximately 1.5 metres above floor level, in 'free space', away from draughts and sources of heat or electrical interference.



Mark out the mounting position

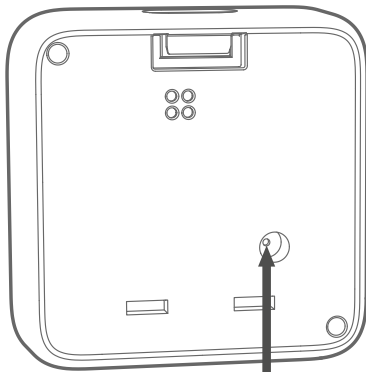
B1

1



Unbox

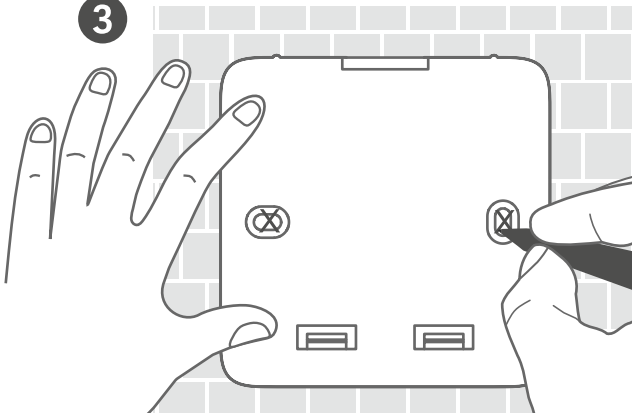
2



Press

The product is shipped in deep sleep mode to save battery. To wake up the device, you must press the button at the rear before setup.

3



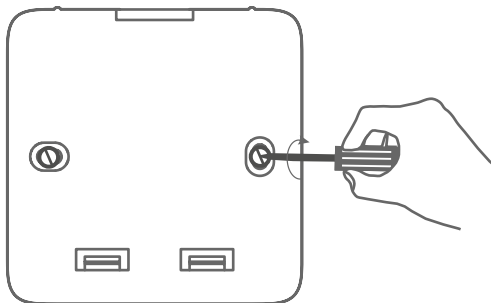
Fit the PTD

B2

1

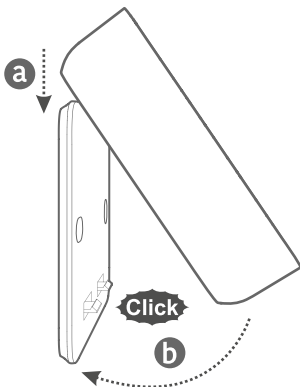


2

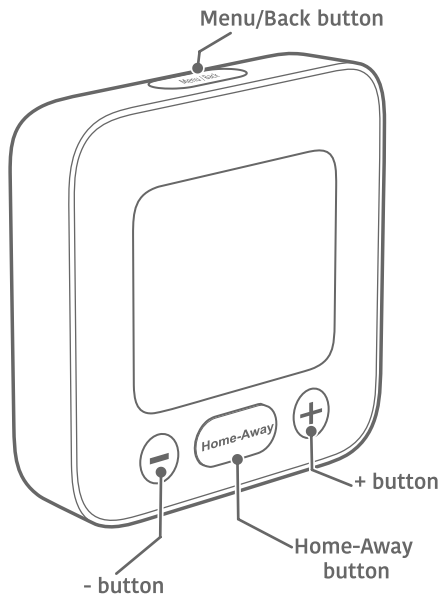


M3.5, AB
type screws

3



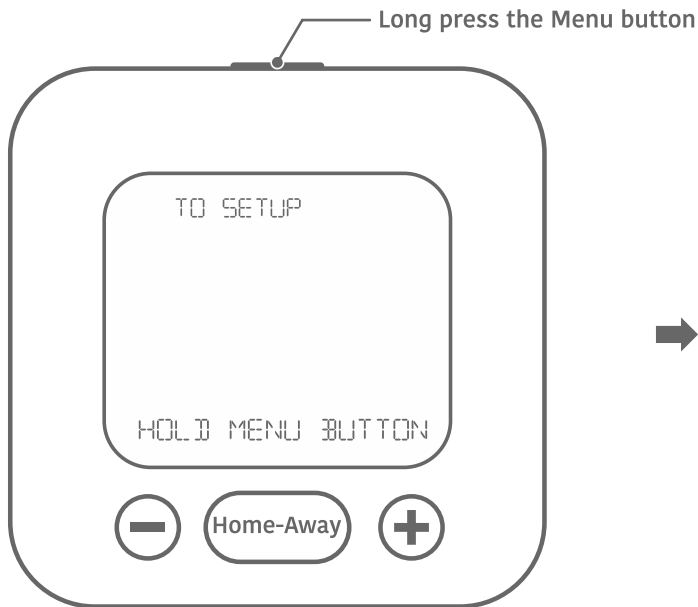
PTD button functions



Buttons	Functions
Menu/Back button	Press 1. To enter the main menu 2. To return to the previous menu / selection
Home-Away button	Press 1. To navigate between modes (Home/Away) 2. To enter a menu/screen 3. To confirm a change or setting or enter
+ or - button	Press (+) 1. Increase the target temperature 2. To navigate between different menus (In forward direction) 3. To navigate between different items within a menu (In forward direction) Press (-) 1. Decrease the target temperature 2. To navigate between different menus (In backwards direction) 3. To navigate between different items within a menu (In backwards direction)

Establish communication with the receiver

Long press the Menu button to establish communication between Receiver C1727 and PTD

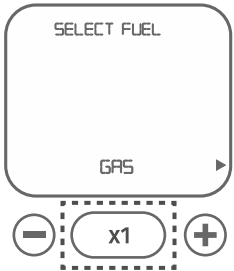


Notes: The PTD has great temperature sensitivity and you may observe a sudden rise in ambient temperature during the commissioning process triggered by the touch of your hand. This is only temporary.

Establish communication with the receiver



Press + or - to select (Yes or No). Press Home-Away to confirm selection



Press + or - to select fuel type. Press Home-Away to confirm selection

Communication established



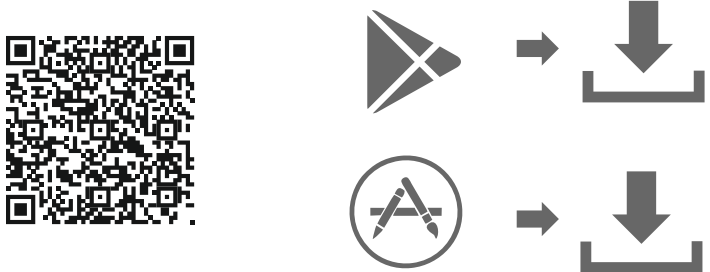
PTD after establishing communication with the receiver



Scan the QR code to view the detailed PT user manual on your PC or mobile device.

Install the user mobile app

1. Download the Secure Controls user mobile app



2. Open the app and create an account to sign in

Product technical specifications

Receiver C1727

Operating temperature	0°C to 40°C
Pollution degree	2
Ingress protection	IP30
Rated input voltage	230V ± 10% AC
Relay contact voltage rating, Ch1 and Ch2	Volt free (max 230/240 V AC)
Relay current rating	3(1) A maximum
Storage temp. range	-20°C to +70°C
Relative humidity	0% to 95% non condensing
Wireless communication	WiFi (2.4 GHz) , 2.4 GHz RF
Standards	<ol style="list-style-type: none">1. Safety : Class II as per BS EN 60730-1, BS EN/EN 60730-2-7, BS EN/EN 60730-2-92. BS EN/EN 301 489-1,173. BS EN/EN 300-3284. RoHS 2 & REACH5. WEEE

Product technical specifications

Programmable Thermostat Display PTD

Operating temperature	0°C to 40°C
Storage temp. range	-20°C to +70°C
Relative humidity	0% to 95% non condensing
Pollution degree	2
Ingress protection	IP30
Battery specifications	Non replaceable 2x A Lithium-ion, 3.6 V, 3600 mAh (each)
Battery life	≈12 years
Wireless communication	2.4 GHz RF
Standards	1) BS EN/EN 300-328 2) Safety standards: BS EN/IEC 62368-1 3) BS EN/EN 301 489-1, 17 (RED) 4) RoHS 2 5) WEEE

Products variants

Product name	Model number	Description
Programmable Thermostat Display PTD	SCD100-000	Battery operated device for zone heating and hot water
Programmable Thermostat C1727	SCT200-000	Mains powered 2 channel receiver C1727 and Programmable Thermostat Display (PTD)
Programmable Thermostat H3747	SCT400-000	Mains powered 4 channel receiver H3747 and Programmable Thermostat Display (PTD)
Temperature Sensor THS	SCS100-000	Battery operated heating control Temperature Sensor THS
WiFi Extender HC2.4	SCW100-000	2.4 GHz WiFi add-on adapter for 2 and 4 channel receiver, It is used to enable WiFi functionality in the receivers

Learn more

Receiver C1727

This is a mains-powered device designed to control boilers and domestic or light commercial heating systems. It lets you establish communication between the boiler/heating system and the PTD to enable the right comfort levels in each of your zones. C1727 is Ideal for replacing traditional wired controls for systems that require separate control of heating and hot water or multiple heating zones. Once commissioned, the Receiver

1. Can be operated locally via smart phone to control heating and hot water (If applicable)
2. The WiFi variant can be operated remotely using the Secure Controls mobile app with Internet to control heating and hot water (If applicable)

This device is designed for S and Y Plan using spring return valves and is compatible with most Gas combination and system boilers. It is supplied with a standard 6-pin back plate and is easy to replace with minimum wiring changes. C1727 supports Boiler plus compliance, load compensation and service interval functionality that significantly improves boiler efficiency by preventing short-cycling and overshooting of temperature when used with Programmable thermostat display. Load compensation has been shown to save energy compared to traditional systems, while maintaining more consistent comfort levels. Supplied with a 7 year no quibble warranty, it is an ideal replacement for Centaurplus and Serviceplus time switches and programmers.

PTD

This is a battery operated wireless device, which measures and controls up to 2 zones (2 heating or 1 hot water + 1 heating). Designed for comfort and convenience, it comes with an intuitive interface and powerful features such as Receiver operating mode, Boost, Scheduling, Optimum start/stop and Service interval etc. There is no need for WiFi when programming schedule in the PTD as it offers easy 7 day programming. With a guaranteed 12 year battery life, it is an ideal replacement for wired thermostats, with limited functionality.



www.securemeters.com

Secure Meters (UK) Ltd
Secure House, Lulworth Close,
Chandler's Ford,
Eastleigh, SO53 3TL,
United Kingdom

t: +44 1962 840048

f: +44 1962 841046

UK Free Phone : 08081687224

UK Direct : +44 196 2826 225

support@securemeters.com

Copyright © 2020-21, SIHPL



BGX701-290