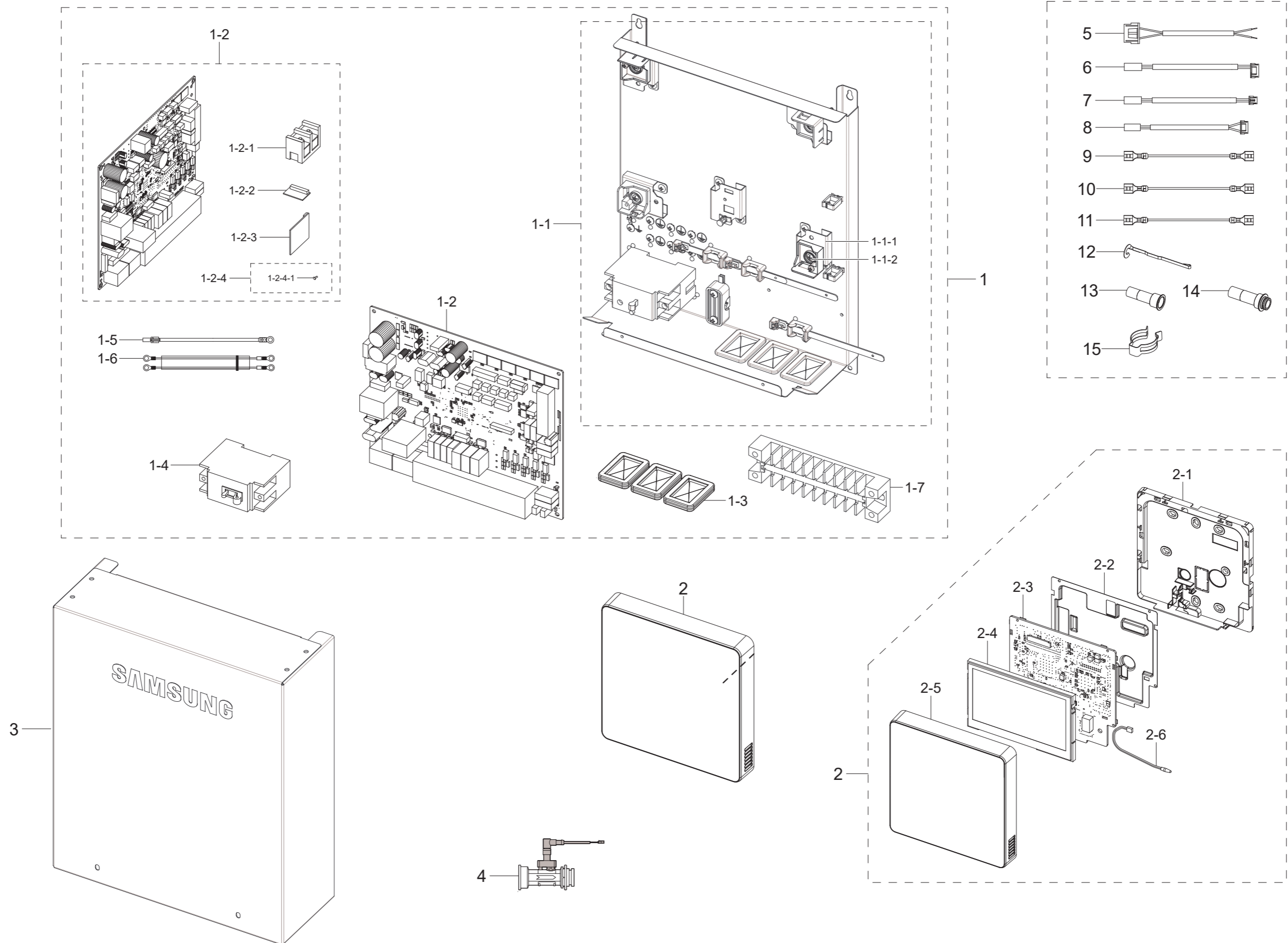


# Exploded Views and Parts List

## ■ MIM-E03EN



## Parts List

No.	Code No.	Description	Specification	Q'TY	SA/SNA
1	DB92-04812B	ASSY PBA KIT-IN MODULE	Control Kit,Low noise EHS,Standard	1	SNA
1-1	DB90-11417B	ASSY CABI BOTTOM	MIM-E03EN	1	SA
1-1-1	DB61-07387A	BRACKET FRAME	MIM-E03CN,GI-SGCC,T0.8,W50	5	SA
1-1-2	6002-000481	SCREW-TAPPING	SWRCH18A,NI PLT,L12,M4,TH,+,NO,2S, ZnNi + TOP Coating	10	SA
1-2	DB92-04743A	ASSY PCB MAIN	MAIN,EHS TANK INTEGRATED,242X194, 220V~240V,5V,12V,27W,-,Y,SMPS,Standard	1	SA
1-2-1	DB37-00026A	TERMINAL BLOCK	DAPC 3013-2P-M,MELAMINE,300V,30A, 28x19x21mm,D4,NO,2P,-	2	SA
1-2-2	DB92-02793A	ASSY FUNCTION	COMM,DVM NASA _CST,Standard	1	SA
1-2-3	DB93-12483A	ASSY PCB SUB-EEPROM	SUB,DVMPPLUS4 UP,20*25,-,-,SUB_ _DVM PLUS4UP,DVM WATER[E_92KA_112],N,-,Standard	1	SA
1-2-4	DB94-05069A	ASSY HEAT SINK 2	MAIN,DVM S,295*112,220V~240V,5V,12V,30W, HUB, 8HP-22HP, DVM S,DB92-03342A	1	SNA
1-2-4-1	6002-000630	SCREW-TAPPING	PH,+,2S,M3,L8,ZPC(WHT),SWRCH18A	1	SA
1-3	DB73-00307B	RUBBER-WIRE HOLE	ADX100VAGHA/SC,CHLOROPRENE RUBBER,T52.1,BLACK,V0	3	SA
1-4	DB35-00109B	RELAY-ELCB	SG-52NH, 30A,220~240V 50/60Hz,2P,220V,240V, 30A,None,50/60Hz	1	SA
1-5	DB93-08805A	ASSY CONNECTOR WIRE- EARTH	1,1015,18,YEL/GRN,YDH236-01W/WHT, ST710095-3,-,150,-,-,-,PBA-EARTH,Global Duct,-,-	1	SA
1-6	DB93-17643B	ASSY CONNECTOR WIRE- POWER	2,1015,12,BRN,ST710246-2,L5.5-5,-,150,-,-,-, PBA-ELCB,MIM-03CN,MIM-03CN,EHS Control Kit	1	SA
1-7	DB93-17700A	ASSY CONNECTOR WIRE- TERMINAL BLOCK	10,2095,24,BLK,WB20M-024-411/WHT, ST710227-3,-,400,-,-,-,PBA-T/B,MIM-03CN, MIM-03CN,EHS Control Kit	1	SA
2	DB96-24536D	ASSY WIRED REMOCON	MWR-WW10N,EHS NS Wired Remocon,NF- 3,MULTI,104.96*66.51,None,EHS/HydroUnit, CO/HP,SAMSUNG	1	SA
2-1	DB61-07241A	CASE-BOTTOM	AWR-WG00N,ABS,T1.8,L115.57,DA WHITE,HG-0760GP	1	SA
2-2	DB63-04116A	COVER PCB	AWR-WG00N,PET,T0.3,V-0,NATURAL,FR530	1	SA
2-3	DB92-04639D	ASSY PCB MAIN	ASSY PCB MAIN,EHS NS Wired Remocon, 109x112mm,-,-,-,MWR-WW10N,N,Standard	1	SA
2-4	DB93-16995A	ASSY DISPLAY	AWR-WG00N	1	SA
2-5	DB90-11271A	ASSY CASE-TOP	AWR-WG00N	1	SA
2-6	DB95-04690A	ASSY THERMISTOR-IN	AC,-,±3,25,-	1	SA
3	DB64-02854A	CABINET-TOP	MIM-P01A,EGI-SECC,T0.8,EARTH BROWN,-,-	1	SA
4	DB32-00264A	SENSOR PRESSURE	FLOW,5V,1.0MPa	1	SA
5	DB93-13255A	ASSY CONNECTOR WIRE	2,2464,24,BLK,SMH250-02L/RED,WIRE,-, 2000,-,-,-,PBA-T/B,EHS MONO	1	SA
6	DB32-00217A	SENSOR TEMP	HEATER_OUT,15000,10kohm,±1%,25°C,7phi	1	SA
7	DB95-05023A	ASSY THERMISTOR-WATER TANK	250,L15000,200kohm,3%,25C,6phi	1	SA

## ■ Parts List

No.	Code No.	Description	Specification	Q'TY	SA/SNA
8	DB32-00213A	SENSOR TEMP	MIXING_VALVE,15000,10kohm,±1%,25°C,7phi	1	SA
9	DB39-00941A	LEAD CONNECTOR	175022-1,175022-1,400,BACKUP HEATER,1015,18,EHS SPLIT/MONO,N,1	1	SA
10	DB39-00941B	LEAD CONNECTOR	175022-1,175022-1,400,BACKUP HEATER,1015,18,EHS SPLIT/MONO,N,1	1	SNA
11	DB93-08924R	ASSY CONNECTOR WIRE-CLIP	1,1015,18,BRN,ST730620-3,ST730620-3,-,300,-,-,-,-,Reactor-PBA,Global DUCT AUS,N,-	1	SNA
12	DB81-00635A	SPRING ETC-SENSOR	DVM-SYSTEM,STS304,ID2.5,OD4.5,L44,T0.3,W2,NONE	1	SA
13	DB96-24800A	ASSY TUBE CONNECTOR-LEFT	MIM-E03CN,EHS Control Kit_Flow Sensor	2	SA
14	DB96-24801A	ASSY TUBE CONNECTOR-RIGHT	MIM-E03CN,EHS Control Kit_Flow Sensor	1	SA
15	DB60-00477A	FASTENER	EHS HT,STS304	1	SA