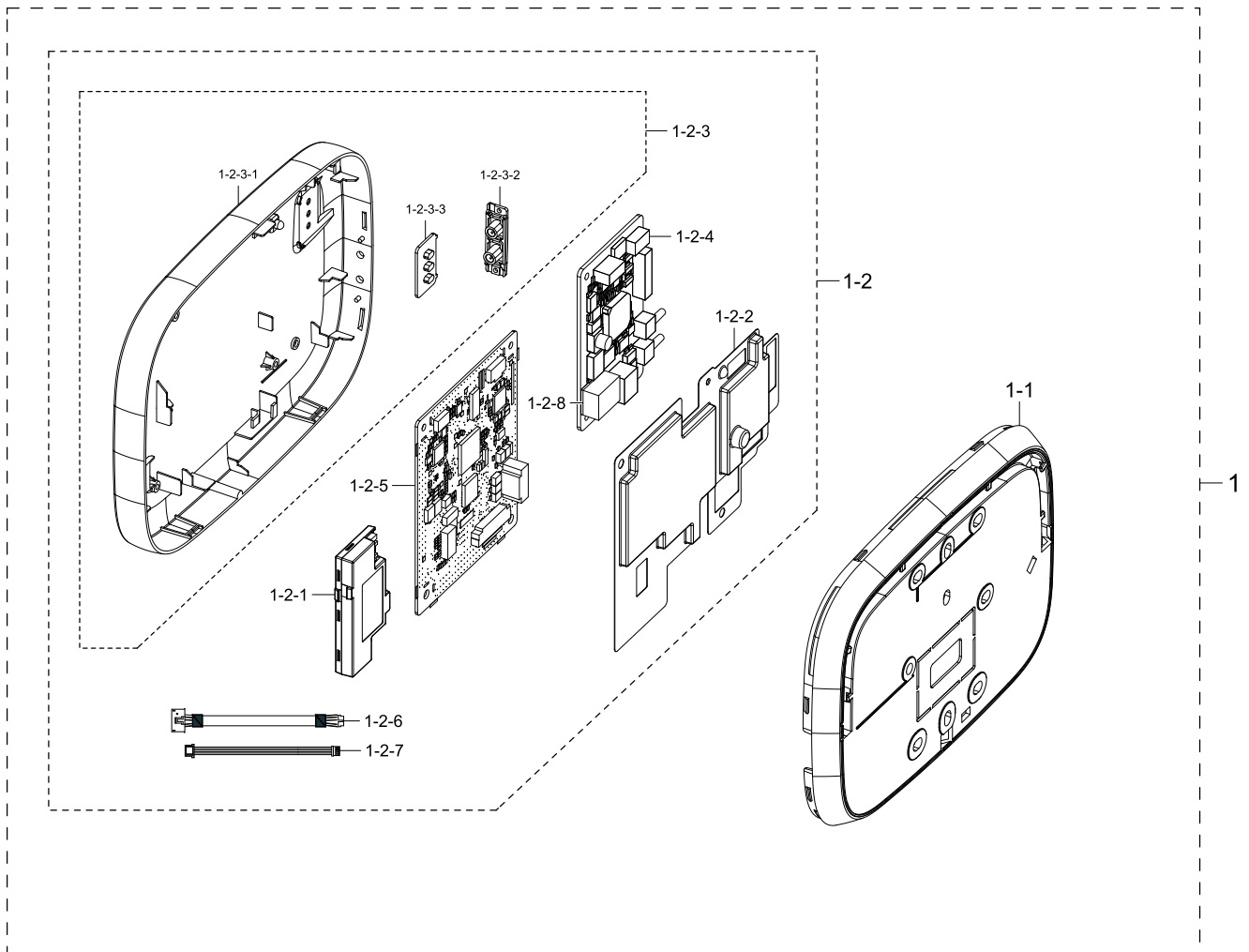


1. MIM-H04EN

Exploded View



Parts List

No.	Lvl.	Loc.	Material Code	Description & Specification	SNA	Qty.
1	1		DB90-11366B	ASSY FRAME-CONTROLLER; MIM-H04EN	SNA	1
1-1	2		DB61-07337A	CASE-BOTTOM; AIM-H04N,ABS,T2,L183,DA WHIT	SA	1
1-2	2		DB92-04750A	ASSY KIT-IN; INDOOR,OCF WIFI KIT,2.4/5GHz	SNA	1
1-2-1	3		4709-002331	W-LAN MODULE; WSWLM215A00,IEEE802.11,2.4G	SA	1
1-2-2	3	C1445	DB63-04177A	COVER PCB; AIM-H04N,PET,T0.3,V-0,NATURAL	SA	1
1-2-3	3		DB90-11350A	ASSY CASE-TOP; AIM-H04N	SA	1
1-2-3-1	4		DB61-07336A	CASE-TOP; AIM-H04N,ABS,T2,L185,DA WHITE	SA	1
1-2-3-2	4		DB64-03442A	BUTTON SWITCH; AIM-H04N,ABS,DA SILVER	SNA	1
1-2-3-3	4		DB64-03443A	WINDOW LED; AIM-H04N,PC,T1,SC-1220R,MILK-	SNA	1
1-2-4	3	A0694	DB92-03668B	ASSY PCB SUB; SUB,OCF Wi-Fi Kit,80x50mm,N	SA	1
1-2-5	3	A2748	DB92-04720D	ASSY PCB MAIN; R18 NDP OCF WIFIKIT,OCF WI	SA	1
1-2-6	3		DB93-17066A	ASSY CONNECTOR WIRE-DC SIGNAL; 6,21451,28	SA	1

Exploded Views and Parts List

No.	Lvl.	Loc.	Material Code	Description & Specification	SNA	Qty.
1-2-7	3		DB93-17067A	ASSY CONNECTOR WIRE-DC SIGNAL; 5,2468,26,	SA	1
1-2-8	3	T0015	3716-001329	TERMINAL-BLOCK; SCREW,2P,3.5mm,250V,12A	SA	1