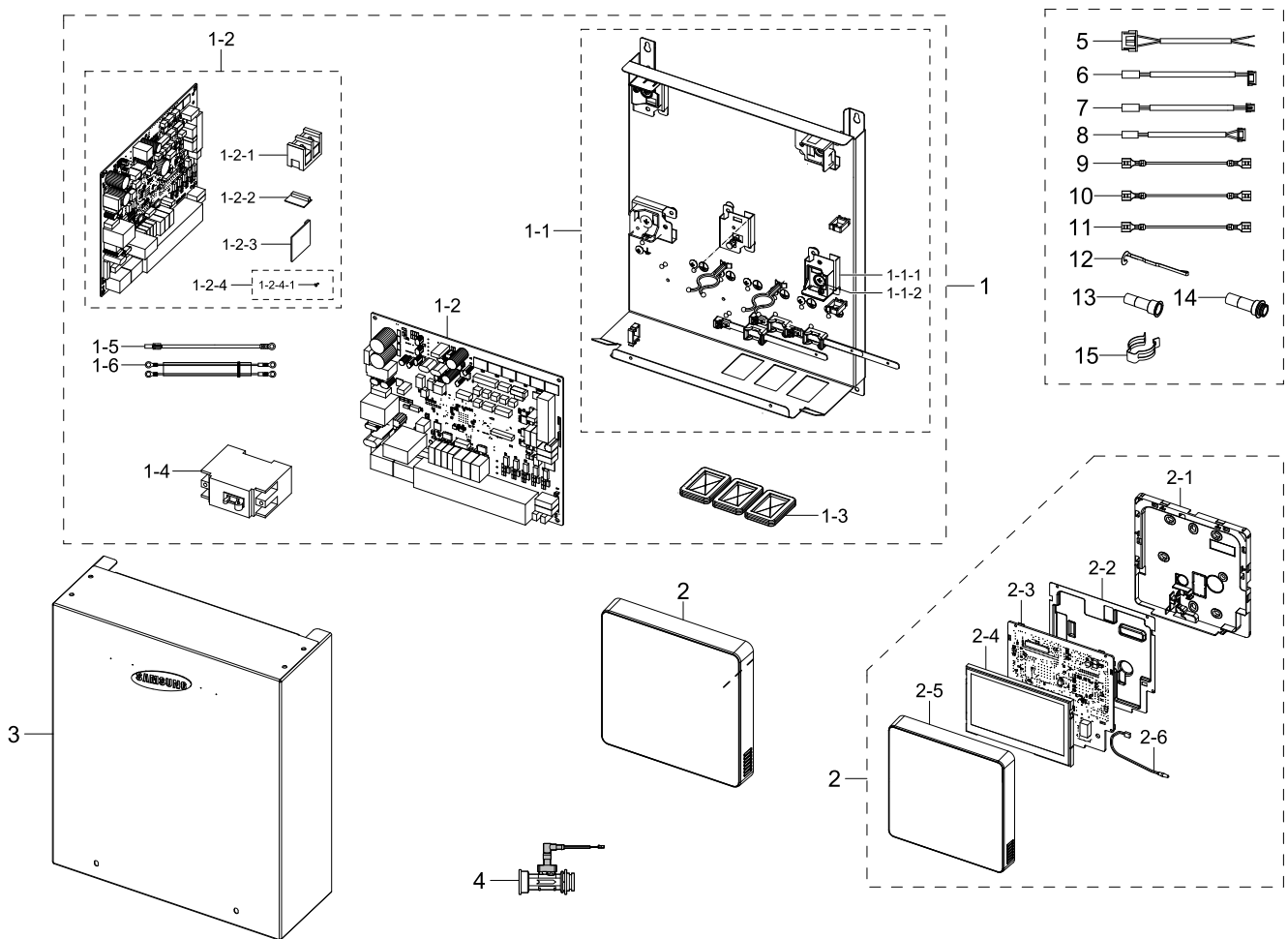


1. MIM-E03CN

Exploded View



Parts List

No.	Lvl.	Loc.	Material Code	Description & Specification	SNA	Qty.
1	1		DB92-04812A	ASSY KIT-IN; Control kit,R32,EHS MONO,PBA	SNA	1
1-1	2		DB90-11417A	ASSY CABI BOTTOM; MIM-E03CN	SA	1
1-1-1	3		DB61-07387A	BRACKET FRAME; MIM-E03CN,GI-SGCC,T0.8,W50	SA	5
1-1-2	3	S0025	6002-000481	SCREW-TAPPING; TH,+,NO,2S,M4.0,L12,NI PLT	SA	10
1-2	2	A2748	DB92-04743A	ASSY PCB MAIN; MAIN,EHS TANK INTEGRATED,2	SA	1
1-2-1	3		DB37-00026A	TERMINAL BLOCK; DAPC 3013-2P-M,MELAMINE,3	SA	2
1-2-2	3		DB92-02793A	ASSY FUNCTION; COMM,DVM NASA_CST,Y	SA	1
1-2-3	3		DB93-12483A	ASSY PCB SUB-EEPROM; SUB,DVMPLUS4 UP,20*2	SA	1
1-2-4	3		DB94-05069A	ASSY HEAT SINK 2; MAIN,DVM S,295*112,220V	SNA	1
1-2-4-1	4	S0025	6002-000630	SCREW-TAPPING; PH,+,NO,2S,M3,L8,ZPC(WHT),	SA	1
1-3	2		DB73-00307B	RUBBER-WIRE HOLE; ADX100VAGHA/SC,RUBBER,5	SA	3
1-4	2		DB35-00109B	RELAY-ELCB; SG-52NH, 30A,220~240V 50/60Hz	SA	1

Exploded Views and Parts List

No.	Lvl.	Loc.	Material Code	Description & Specification	SNA	Qty.
1-5	2	A0646	DB93-08805A	ASSY CONNECTOR WIRE-EARTH; 1,1015,18,YEL/	SA	1
1-6	2	A0626	DB93-08790C	ASSY CONNECTOR WIRE; 2,1015,12,SKY,DR3.5-	SA	1
2	1		DB96-24536D	ASSY WIRED REMOCON; MWR-WW10N,EHS NS Wire	SA	1
2-1	2		DB61-07241A	CASE-BOTTOM; AWR-WG00N,ABS,T1.8,L115.57,D	SA	1
2-2	2	C1445	DB63-04116A	COVER PCB; AWR-WG00N,PET,T0.3,V-0,NATURAL	SA	1
2-3	2	A2748	DB92-04639D	ASSY PCB MAIN; ASSY PCB MAIN,EHS NS Wired	SA	1
2-4	2	A0882	DB93-16995A	ASSY DISPLAY; AWR-WG00N	SA	1
2-5	2		DB90-11271A	ASSY CASE-TOP; AWR-WG00N	SA	1
2-6	2		DB95-04690A	ASSY THERMISTOR-IN; -,AC,-,-,-,-,-,-,-,-	SA	1
3	1	C0075	DB64-02854A	CABINET-TOP; MIM-P01A,EGI-SECC,T0.8	SA	1
4	1		DB32-00264A	SENSOR PRESSURE; FLOW,5V,1.0MPa	SA	1
5	1	A0626	DB93-13255A	ASSY CONNECTOR WIRE; 2,2464,24,BLK,SMH250	SA	1
6	1		DB32-00217A	SENSOR TEMP; 103AT,HEATER_OUT,15000	SA	1
7	1		DB95-05023A	ASSY THERMISTOR-WATER TANK; 204CTB,250,L1	SA	1
8	1		DB32-00213A	SENSOR TEMP; 103AT,MIXING_VALVE,15000	SA	1
9	1		DB39-00941A	LEAD CONNECTOR; 175022-1,175022-1,400,BAC	SNA	1
10	1		DB39-00941B	LEAD CONNECTOR; 175022-1,175022-1,400,BAC	SNA	1
11	1	A3220	DB93-08924R	ASSY CONNECTOR WIRE-CLIP; 1,1015,18,BRN,S	SA	1
12	1	S0242	DB81-00635A	SPRING ETC-SENSOR; DVM-SYSTEM,STS304,R2.5	SA	2
13	1		DB96-24800A	ASSY TUBE CONNECTOR-LEFT; MIM-E03CN,EHS C	SA	1
14	1		DB96-24801A	ASSY TUBE CONNECTOR-RIGHT; MIM-E03CN,EHS	SA	1
15	1		DB60-00477A	FASTENER; EHS HT,SUS304 3/4H,1.0,NATURAL	SA	2