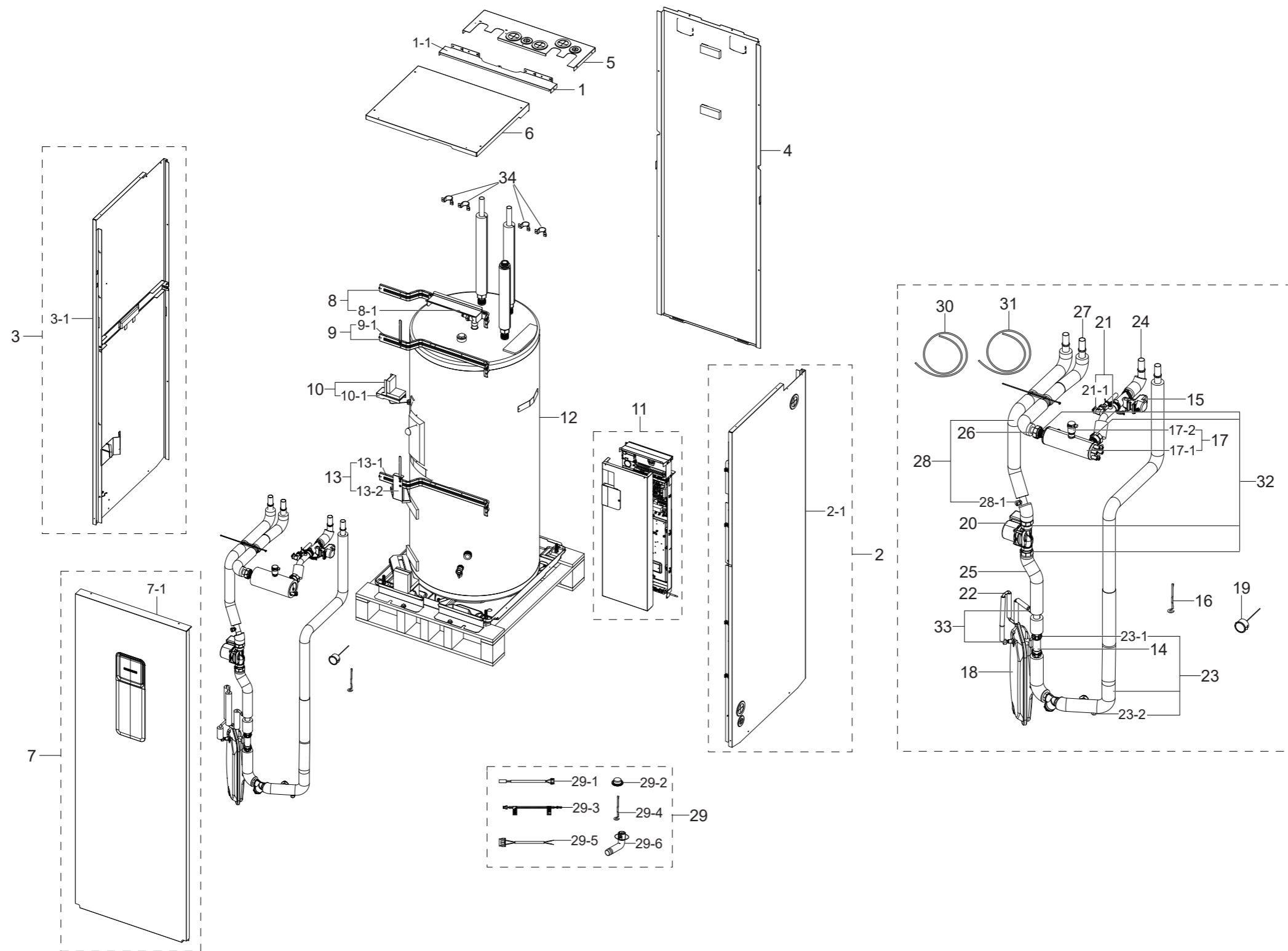


# Exploded Views and Parts List

■ AE200RNWMEG/EU Ver.01

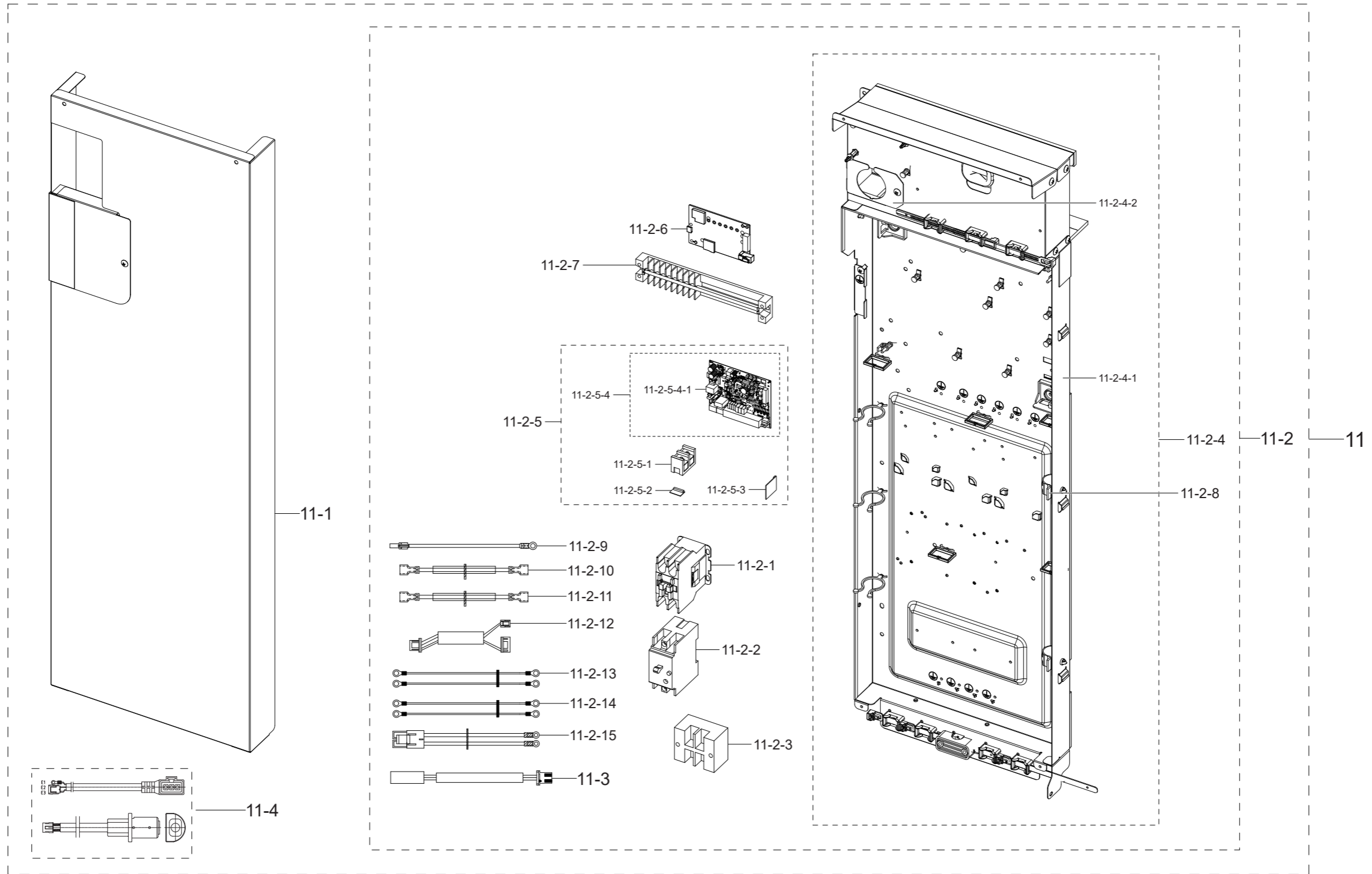


## Parts List

No.	Material Code	Description	Specification	SA/SNA	Q'TY
1	DB90-11427A	ASSY CABI TOP-MID	EHS TANK	SA	1
1-1	DB64-03455A	CABINET TOP-MID	EHS TANK,EGI-SECC,TO.8,DA WHITE	SNA	1
2	DB90-11391A	ASSY CABI SIDE-RH	EHS TANK	SA	1
2-1	DB90-11392A	ASSY CABI SIDE-RIGHT	EHS TANK	SNA	1
3	DB90-11393A	ASSY CABI SIDE-LF	EHS TANK	SA	1
3-1	DB90-11394A	ASSY CABI SIDE-LEFT	EHS TANK	SNA	1
4	DB90-11395A	ASSY CABI BACK	EHS TANK	SA	1
5	DB90-11396A	ASSY CABI TOP	EHS TANK	SA	1
6	DB90-11397A	ASSY CABI TOP-FRONT	EHS TANK	SA	1
7	DB90-11398A	ASSY CABI FRONT	EHS TANK	SA	1
7-1	DB90-11399A	ASSY CABI FRONT-UP	EHS TANK	SNA	1
8	DB90-11407A	ASSY BRACKET-BODY	EHS TANK	SA	1
8-1	DB61-07374A	BRACKET VALVE	EHS TANK,GI-SGCC,T1.2,W229,NATURAL	SNA	1
9	DB90-11408A	ASSY BRACKET-FILTER	EHS TANK	SA	1
9-1	DB61-07257A	BRACKET CONTROL	EHS TANK,GI-SGCC,T1.6,W1	SNA	1
10	DB90-11411A	ASSY BRACKET-PUMP	EHS TANK	SA	1
10-1	DB61-07395A	BRACKET-SUPPORT	EHS TANK,GI-SGCC,T1.2,W53,NATURAL	SNA	1
11	DB93-17100A	ASSY CONTROL IN PARTS	EHS TANK	SNA	1
12	DB94-07895A	ASSY WATER TANK PARTS	AE200RNWSEG/EU,ASSY TUBE WATER TANK-200L	SNA	1
13	DB90-11420A	ASSY BRACKET-COVER	EHS TANK	SA	1
13-1	DB61-07257A	BRACKET CONTROL	EHS TANK,GI-SGCC,T1.6,W1	SNA	1
13-2	DB61-07393A	BRACKET COVER	EHS TANK,GI-SGCC,T1.6,W74,NATURAL	SNA	1
14	DB32-00264A	SENSOR PRESSURE	FLOW,5V,1.0MPa	SA	1
15	DB62-12787A	VALVE STEP	AC230V,MODULE,3000mm	SA	1
16	DB81-00635A	SPRING ETC-SENSOR	DVM-SYSTEM,STS304,R2.5,R4.5,44,0.3,2.0,N ONE	SA	1
17	DB95-05811A	ASSY HEATER PARTS	2KW,1PH 230VAC,40	SA	1
17-1	DB47-00080A	HEATER SHEATH	AC230V,2000W,INCOLOY800,L2500,X,YH396-03VR(WHT),MgO	SNA	1
17-2	DB96-13493B	ASSY VALVE	BSPP3/8"	SA	1
18	DB96-13802A	ASSY-EXPANSION VESSEL	PURE WATER,G3/8",AIRTIGHTENING PRES-SURE 3.0bar, PRESSURE PROOF 4.5bar	SA	1
19	DB96-13830A	ASSY-MANOMETER	0~4MPa,BOURDON,G1/4B,STRETCHED LENGTH 900mm	SA	1
20	DB96-21145D	ASSY WATER PUMP	HEAD 9m,230V, 50Hz/60Hz,	SA	1
21	DB96-24710A	ASSY TUBE WATER-VALVE	EHS TANK	SA	1
21-1	DB96-13494B	ASSY VALVE	PF 1/2", 2.9bar	SA	1
22	DB96-24711A	ASSY TUBE WATER-MIDDLE	EHS TANK	SA	1
23	DB96-24712B	ASSY TUBE WATER-BODY	EHS TANK	SA	1
23-1	DB60-00563A	FASTENER	EHS TANK,Cu,FLARE NUT 1"	SNA	1
23-2	DB60-00564A	FASTENER-NUT-3/8"	EHS TANK,Cu	SNA	1

No.	Material Code	Description	Specification	SA/SNA	Q'TY
24	DB96-24713A	ASSY TUBE WATER-UP	EHS TANK	SA	1
25	DB96-24714A	ASSY TUBE WATER-DOWN	EHS TANK	SA	1
26	DB60-00565A	FASTENER-ETC	EHS TANK,STS304,NATURAL,SUS304 3/4H,T1.0	SA	5
27	DB96-24715A	ASSY TUBE WATER-IN	EHS TANK,MONO	SA	1
28	DB96-24716A	ASSY TUBE WATER-OUT	EHS TANK,MONO	SA	1
28-1	DB60-00564A	FASTENER-NUT-3/8"	EHS TANK,Cu	SNA	1
29	DB97-32913A	ASSY ACCESSORY	EHS TANK TDM+	SNA	1
29-1	DB32-00213A	SENSOR TEMP	103AT,MIXING_VALVE,15000	SA	1
29-2	DB63-10355C	CAP-DRAIN	CR,T2,BLACK,ASH-1814ER	SA	2
29-3	DB95-04396A	ASSY THERMISTOR-EVA OUT	103AT,AC,-,-,-,250,-,-,10	SA	2
29-4	DB81-00635A	SPRING ETC-SENSOR	DVM-SYSTEM,STS304,R2.5,R4.5,44,0.3,2.0,NONE	SA	3
29-5	DB93-13255A	ASSY CONNECTOR WIRE	2,2464,24,BLK,SMH250-02L/RED,WIRE,- ,2000,-,-,-,PBA-T/B,EHS MONO	SA	1
29-6	DB67-20011A	DRAIN-PLUG OUT	ASH-1814ER,PP,NATURAL	SA	1
30	DB67-01698A	HOSE DRAIN	EHS TANK,EPDM,L500,L1650	SA	1
31	DB67-01698B	HOSE DRAIN	EHS TANK,EPDM,L500,L2200	SA	1
32	DB73-00560A	RUBBER-PACKING ID30	NH160PHXEA,EPDM	SNA	4
33	DB73-00559A	RUBBER-PACKING ID8	NH160PHXEA,EPDM	SA	2
34	DB61-07401A	BRACKET TUBE	EHS TANK,GI-SGCC,T1,W20	SA	4

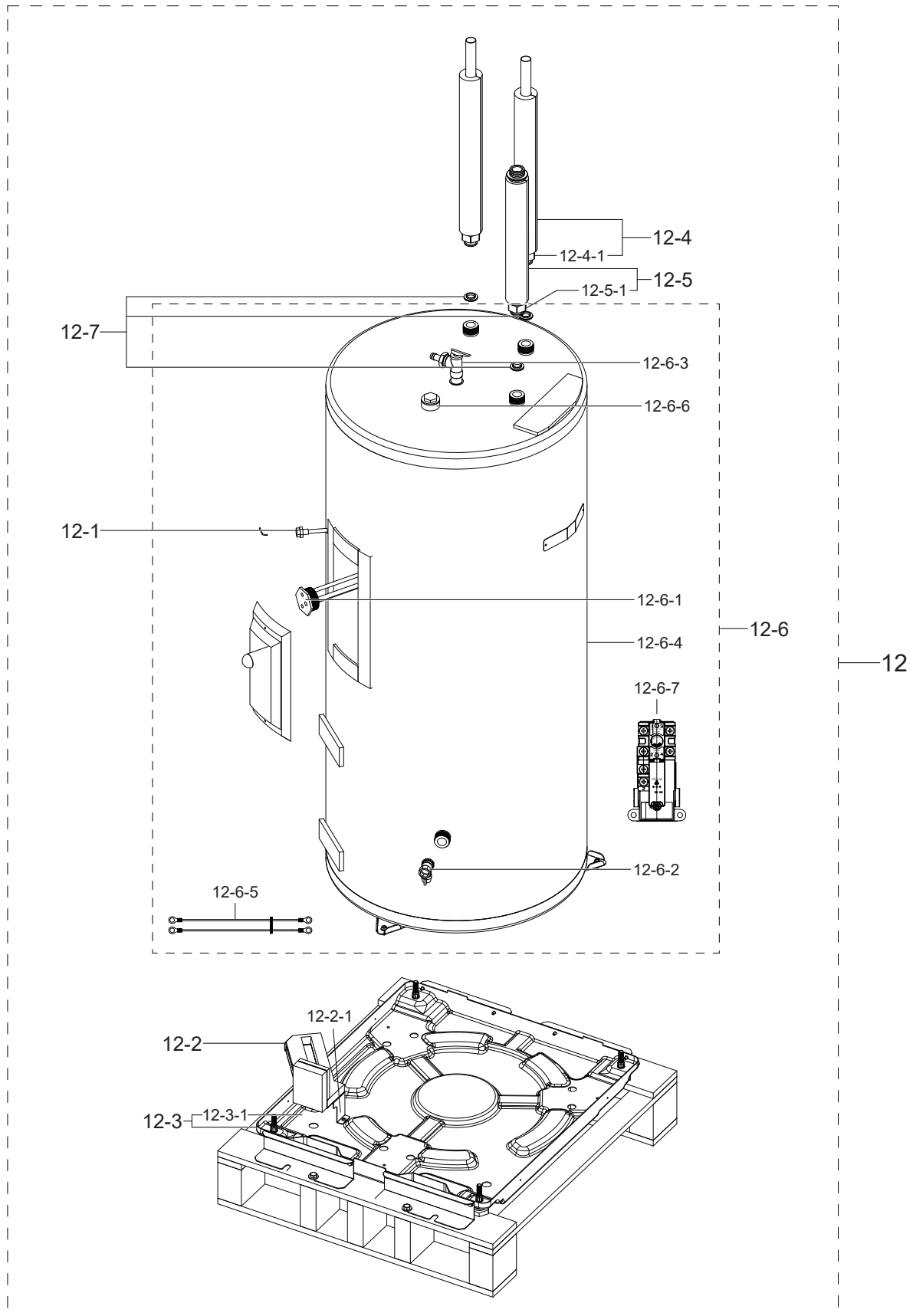
■ Control



## Parts List

No.	Material Code	Description	Specification	SA/SNA	Q'TY
11	DB93-17100A	ASSY CONTROL IN PARTS	EHS TANK	SNA	1
11-1	DB90-11402A	ASSY COVER CONTROL	EHS TANK	SA	1
11-2	DB92-04744A	ASSY KIT	SPLIT/MONO,EHS TANK,1PHASE,Standard	SNA	1
11-2-1	DB35-00045A	RELAY	XMC0-252IBBC,208-220V 50Hz, 208-240V 60 Hz,2P,208V,240V,25A,None,50/60Hz	SA	1
11-2-2	DB35-00109B	RELAY-ELCB	SG-52NH, 30A,220~240V 50/60Hz,2P,220V,240V,30A,None,50/60Hz	SA	1
11-2-3	DB37-00038A	TERMINAL BLOCK	DATA 60A-2P-M,MELAMINE,600V,60A,60x50x35mm,D5,NO,2P,SCREW-SCREW,L,N	SA	1
11-2-4	DB90-11403A	ASSY CASE CONTROL	EHS TANK	SNA	1
11-2-4-1	DB61-06418B	BRACKET CONTROL-CABI	EHS TANK,GI-SGCC,T0.8,W278,NATURAL	SNA	1
11-2-4-2	DB61-07389A	BRACKET HINGE	EHS TANK,GI-SGCC,T0.8,W50,NATURAL	SNA	1
11-2-5	DB92-04743A	ASSY PCB MAIN	MAIN,EHS TANK INTEGRATED,242X194,Y,220V~240V,5V,12V,27W,STANDARD	SA	1
11-2-5-1	DB37-00026A	TERMINAL BLOCK	DAPC 3013-2P-M,MELAMINE,300V,30A,28x19x21mm,D4,NO,2P,-	SA	1
11-2-5-2	DB92-02793A	ASSY FUNCTION	COMM,DVM NASA_CST,Y	SA	1
11-2-5-3	DB93-12483A	ASSY PCB SUB-EEPROM	SUB,DVMPPLUS4 UP,20*25,-,-,-,SUB_DVM PLUS4UP,DVM WATER[E_92KA_112],STANDARD	SA	1
11-2-5-4	DB94-07896A	ASSY PCB AUTO	MAIN,EHS TANK INTEGRATED,242X194,Y,220V~240V,5V,12V,27W,DB92-04743A	SNA	1
11-2-5-4-1	DB94-07897A	ASSY PCB SMD	MAIN,EHS TANK INTEGRATED,242X194,Y,220V~240V,5V,12V,27W,DB92-04743A	SNA	1
11-2-6	DB92-04747A	ASSY MODULE	EHS CONVERTER,EHS TANK INTEGRATED,FSV SETTING, DATA BACKUP,Standard	SNA	1
11-2-7	DB93-17094A	ASSY CONNECTOR WIRE-TERMINAL BLOCK	20,2095,24,BLK,WB20M-024-411/WHT,ST710227-3,-,400,-,-,-,-,PBA-T/B,EHS_TANK	SA	1
11-2-8	DB61-00996A	HOLDER-LOCK CLAMP A	W-P/J,PA,-,-,-,-,NATURAL,V-0,FR7025V0F,-,-,-,-,-	SC	2
11-2-9	DB93-08805A	ASSY CONNECTOR WIRE-EARTH	1,1015,18,YEL/GRN,YDH236-01W/WHT,ST710095-3,-,150,-,-,-,-,PBA-EARTH,Global Duct,-,-	SA	1
11-2-10	DB93-17091A	ASSY CONNECTOR WIRE-POWER	1,1015,18,BRN,175022-1,175022-1,-,300,PVC/105°C/4pi/BLK,200,-,-,PBA-M/C,EHS_TANK	SA	1
11-2-11	DB93-17092A	ASSY CONNECTOR WIRE-POWER	1,1015,18,SKY,175022-1,175022-1,-,400,PVC/105°C/4pi/BLK,300,-,-,PBA-M/C,EHS_TANK	SA	1
11-2-12	DB93-17095A	ASSY CONNECTOR WIRE-DC SIGNAL	4,2095,24,RED,SMH200-H04H3/WHT,SMH250-08L/WHT,YH396-02VR/WHT,500,-,-,-,-,PBA-PBA,EHS_TANK	SA	1
11-2-13	DB93-17098A	ASSY CONNECTOR WIRE-POWER	2,1015,12,SKY,ST711139-2,ST711139-2,-,300,PVC/105°C/8pi/BLK,200,-,-,T/B-ELCB,EHS_TANK	SA	1
11-2-14	DB93-17098B	ASSY CONNECTOR WIRE-POWER	2,1015,12,SKY,ST711139-2,ST711139-2,-,500,PVC/105°C/8pi/BLK,400,-,-,PBA-ELCB,EHS_TANK	SA	2
11-2-15	DB93-17099A	ASSY CONNECTOR WIRE-POWER	2,1015,18,BRN,MG610873P/WHT,ST710095-3,-,200,PVC/105°C/5pi/BLK,100,-,-,T/B-WIRE,EHS TANK	SA	1
11-3	DB32-00269A	SENSOR TEMP	Mono,L2600,10kohm	SA	1
11-4	DB93-17717A	ASSY CONNECTOR WIRE	5,XINHU CABLE,22,BRN	SA	1

# ■ Tank



## ■ Parts List

No.	Material Code	Description	Specification	SA/SNA	Q'TY
12	DB94-07895A	ASSY WATER TANK PARTS	AE200RNWSEG/EU,ASSY TUBE WATER TANK-200L	SNA	1
12-1	DB32-00268A	SENSOR TEMP	water tank,L2100,200kohm	SA	1
12-2	DB90-11389A	ASSY BRACKET PHE	AE260RNWSGG/EU,EHS	SA	1
12-2-1	DB61-07364A	BRACKET-BODY	EHS TANK,GI-SGCC,T1.2,W83,N	SA	1
12-3	DB90-11390A	ASSY BASE OUT	AE260RNWSGG/EU,EHS	SA	1
12-3-1	DB90-11401A	ASSY CABI BASE	EHS TANK	SA	1
12-4	DB96-24707A	ASSY TUBE WATER	EHS TANK,IN/OUT_200L	SA	2
12-4-1	DB60-00563A	FASTENER	EHS TANK,Cu,FLARE NUT1"	SNA	1
12-5	DB96-24709A	ASSY TUBE WATER-JUMP	EHS TANK,200L	SA	1
12-5-1	DB60-00563A	FASTENER	EHS TANK,Cu,FLARE NUT1"	SNA	1
12-6	DB96-24741A	ASSY TUBE TANK	EHS TANK,ASSY WATER TANK_200L	SA	1
12-6-1	DB47-00084A	HEATER SHEATH	AC230V,3000W,INCOLOY800,L180,X,MgO	SA	1
12-6-2	DB62-12806A	VALVE SERVICE-BALL	BRASS,R410A,19.05mm,Straight	SA	1
12-6-3	DB96-24743A	ASSY VALVE	7bar	SA	1
12-6-4	DB96-24745A	ASSY TUBE TANK-WATER	EHS TANK,WATER TANK_200L	SNA	1
12-6-5	DB93-17098C	ASSY CONNECTOR WIRE-POWER	2,1015,12,SKY,ST711139-2,ST711139-2,-,1300,PVC/105°C/8pi/BLK,1100,-,-,Thermostat-PBA,EHS_TANK	SA	1
12-6-6	DB67-01702A	NIPPLE	EHS TANK,A6061,Anode bar	SA	1
12-6-7	DB47-00085A	THERMOSTAT	AC120/277V,40A,80C/90C,49C~82	SA	1
12-7	DB63-04197A	GASKET	EHS TANK INTEGRATED,EPDM,T2.7,BLACK	SA	3