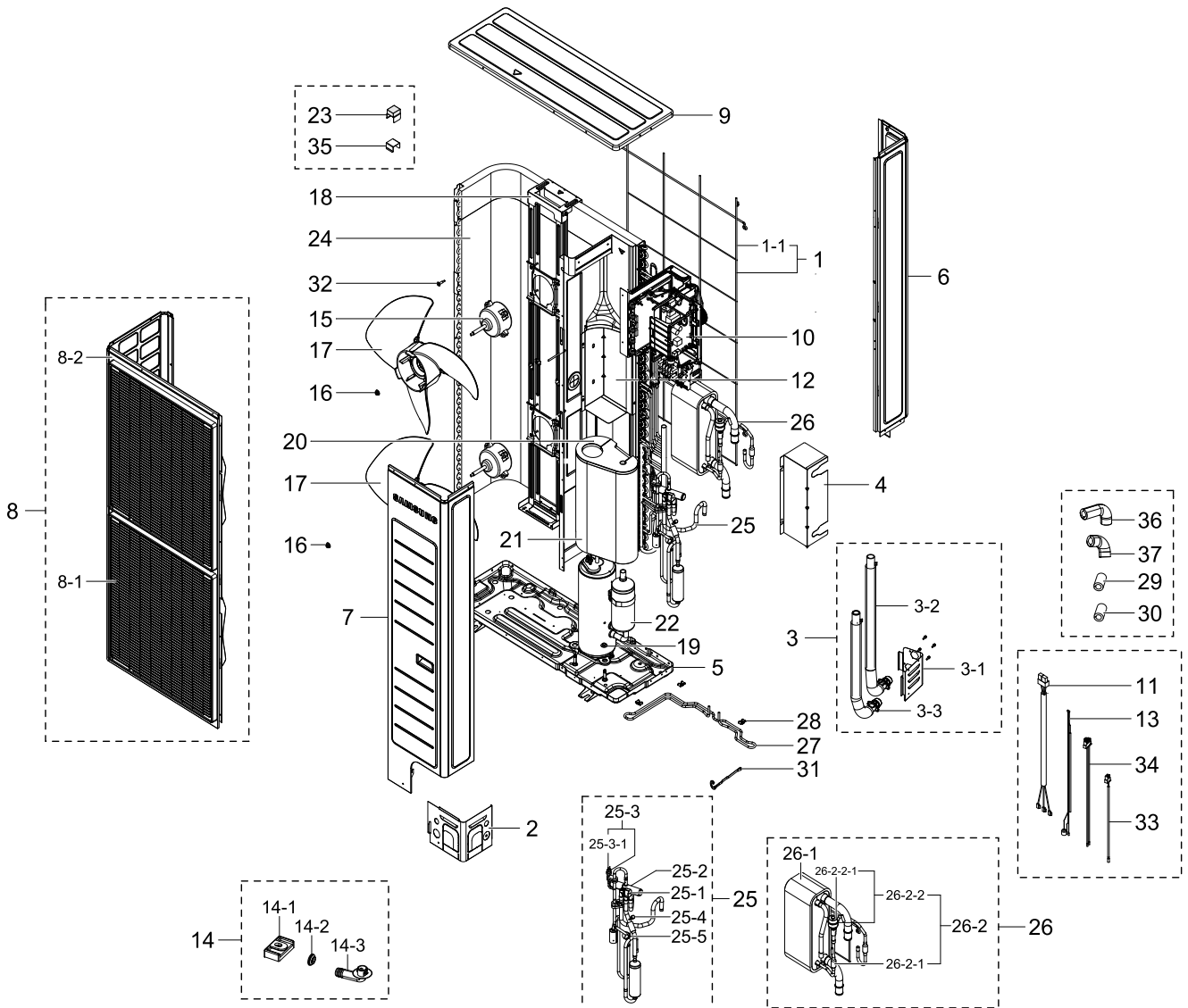


1. AE120RXYDGG/EU

Exploded View



Parts List

No.	Lvl.	Loc.	Material Code	Description & Specification	SNA	Qty.
1	2		DB90-08318F	ASSY GUARD-COND; UB3 for CAC	SNA	1
1-1	3		DB63-02729D	GUARD COND; RC100ZHxEA,MSWR-SWRM,EARTH BR	SA	1
2	2		DB64-02526C	CABINET-INSTALL FRONT; RC100PHxEA,EGI-SEC	SA	1
3	2		DB96-23742A	ASSY TUBE WATER; AE160RXYDEG/EU,EHS MONO	SNA	1
3-1	3		DB64-02822B	CABINET-BACK INSTALL; RC160MHxEA,EGI-SECC	SA	1
3-2	3		DB96-16859A	ASSY TUBE-WATER OUT; RC160MHxEA,EPDM	SA	1

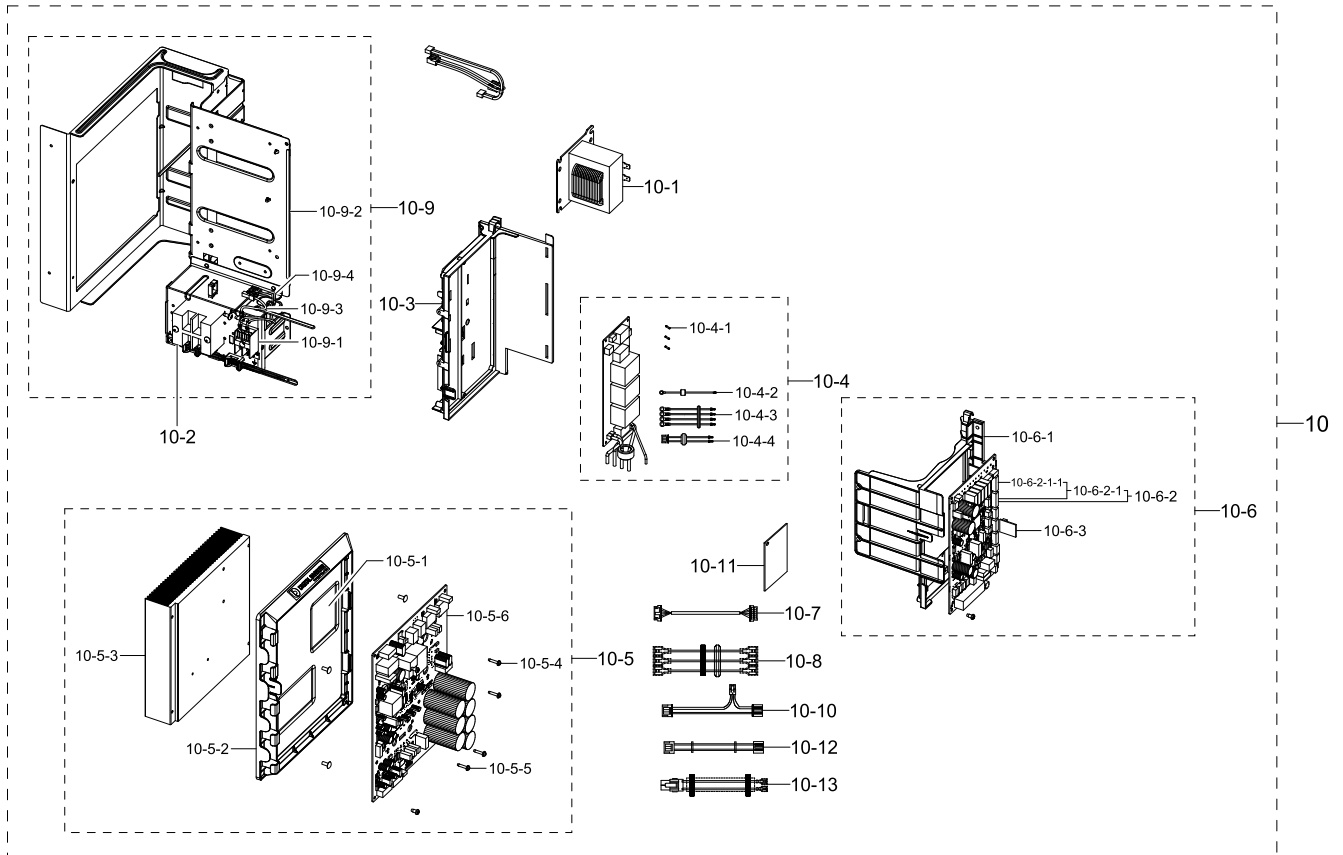
Exploded Views and Parts List

No.	Lvl.	Loc.	Material Code	Description & Specification	SNA	Qty.
3-3	3		DB96-16860A	ASSY TUBE-WATER IN; RC160MHXEA,EPDM	SA	1
4	2		DB61-05204A	BRACKET-PHE TOP; RC160MHXEA,GI-SGCC,T0.6,	SA	1
5	2	A0092	DB90-05873E	ASSY BASE OUT; EHS MONO,CODE E	SA	1
6	2	A2609	DB90-05905F	ASSY CABI BACK-RH; EHS MONO,UB3	SA	1
7	2	A0173	DB90-05906F	ASSY CABI FRONT RH; EHS MONO,UB3	SA	1
8	2	A2620	DB90-06030C	ASSY CABI FRONT-LF; CAC,UB3	SA	1
8-1	3	G0153	DB63-02728C	GUARD FAN; UB CHASSIS,PP,T2.5,EARTH BROWN	SA	2
8-2	3		DB64-02533C	CABINET FRONT-LF; RC140EHXGA/RMK,EGI-SECC	SC	1
9	2	A0212	DB90-05902E	ASSY CABINET-TOP; RC090MHXEA,EHS MONO	SA	1
10	2		DB92-04655B	ASSY KIT; OUTDOOR,EHS-R32,PF#6_SAFETY, CO	SNA	1
11	2	A0630	DB93-08235H	ASSY CONNECTOR WIRE-COMP; 3,3343,14,YEL,H	SA	1
12	2	A1748	DB94-03352B	ASSY PARTITION; AE160RXYDEG/EU,MONO UB3	SA	1
13	2		DB95-04871E	ASSY THERMISTOR OUT-SUB OUT; 103AT,AC,-,-	SA	1
14	2		DB97-05328D	ASSY ACCESSORY; HP,INV,10.0KW,N,RC100PHXE	SA	1
14-1	3	Z0166	DB73-20134A	RUBBER-LEG; V2-MD,NBR,10,BLACK	SA	4
14-2	3	Z0165	DB63-10355C	CAP-DRAIN; -,CR,T2,-,-,-,-,BLACK,-,-,-,	SA	3
14-3	3	D0116	DB67-00806A	DRAIN-PLUG OUT; UH140GAV,PE,-,-,-,-,NATUR	SA	1
15	2	M0039	DB31-00579A	MOTOR FAN; 125W,0Hz,DC310V,CLASS E	SA	2
16	2		DB60-00405A	FASTENER-WASHER; RC100ZHXE,SWRCH10A,M8	SA	2
17	2		DB94-04381A	ASSY FAN PROPELLER; DVM S ECO,520	SA	2
18	2	A2803	DB90-05970B	ASSY BRACKET MOTOR; RC140PHXE,MANU	SA	1
19	2	S0018	DB60-30028A	NUT-FLANGE; HWH,M8,ZPC(WHT),SWRCH18A,P1.2	SA	5
20	2		DB63-03166A	CLOTH-COMP TOP; AC100RX4PBH3,CLOTH/EVA/FE	SA	1
21	2		DB63-03823A	CLOTH COMP-SIDE; AC140KXADGH/EU,EVAR/FELT	SA	1
22	2		UB5TN5450FJXSG	RCP,COMP,RCP,F,R32; RCP,COMP,RCP,F,R32		1
23	2		DB90-06494A	ASSY HOLDER-PLATE COND; RC140PHXE	SNA	2
24	2		DB96-21316A	ASSY COND BENDING; EHS SPLIT	SA	1
25	2		DB96-21402B	ASSY TUBE 4WAY; AE120RXYDEG,R32, UB3	SA	1
25-1	3	S0247	DB33-00002K	SOLENOID-COIL ASSY; 220V	SA	1

No.	Lvl.	Loc.	Material Code	Description & Specification	SNA	Qty.
25-2	3		DB62-12731B	VALVE 4WAY; BRASS,5HP, 4.6MPa,COMMON	SA	1
25-3	3		DB96-24722A	ASSY SWITCH PRESSURE; EHS R32	SA	1
25-3-1	4	RJ101	DB34-00090A	SWITCH PRESSURE; DC5mA,DC5V,4.8MPa,L2000,	SA	1
25-4	3		DB98-23795B	VALVE CHARGING; BRASS,4.6MPa,R410A,6.35mm	SA	2
25-5	3		DB67-00903B	WEIGHT-RUBBER; NR,T30,OD 47pi,BLK,15.88pi	SA	1
26	2		DB96-21426B	ASSY TUBE COND; AE120RXYDEG,R32, UB3	SA	1
26-1	3	A2938	DB96-16843A	ASSY-PHE; RC160MHXEA,DANFOSS, B30 72P	SA	1
26-2	3		DB96-21404B	ASSY TUBE EEV; AE120RXYDEG,R32, UB3	SA	1
26-2-1	4	T0128	DB62-00541B	TUBE-FILTER; ABM-4500,C1220T-H,T1,OD19.05	SA	1
26-2-2	4		DB96-24726A	ASSY VALVE-EXPANSION; EHS R32 UB3 MONO, 4	SA	1
26-2-2-1	5		DB62-05606C	VALVE GEAR EXPAN; BRASS,4.6MPa,6.4mm,2000	SA	1
27	2	A1301	DB95-04647A	ASSY HEATER; EHS GEN3 Mono,230V 150W	SA	1
28	2		DB61-05376A	HOLDER-HEATER; RC160MHXEA,STS316L,W15,L26	SA	4
29	2		DB62-03808E	INSULATION-HOLDER SENSOR; PP FOAM+PE FOAM	SNA	1
30	2		DB62-03808C	INSULATION-HOLDER SENSOR; PP FOAM+PE FOAM	SNA	1
31	2	S0242	DB81-00635A	SPRING ETC-SENSOR; DVM-SYSTEM,STS304,R2.5	SA	5
32	2	S0019	DB60-00150A	SCREW-SPECIAL; HWH,M4,L26,ZPC(WHT),SWRCH1	SA	8
33	2		DB32-00215A	SENSOR TEMP; 103AT,EVA_IN,800	SA	1
34	2	A2554	DB95-01438H	ASSY THERMISTOR; 103AT,AC,-,-,-,250,-,-	SA	1
35	2		DB61-00943A	HOLDER-COND; RVMH100H1M0,GI-SGCC,T0.8,W43	SNA	2
36	2		DB62-11211A	INSULATION-WATER TUBE OUT; RC160MHXEA,PP	SNA	1
37	2		DB62-11212A	INSULATION-WATER TUBE IN; RC160MHXEA,PP F	SNA	1

2. ASSY KIT

Exploded View



Parts List

No.	Lvl.	Loc.	Material Code	Description & Specification	SNA	Qty.
10	2		DB92-04655B	ASSY KIT; OUTDOOR,EHS-R32,PF#6_SAFETY, CO	SNA	1
10-1	3		DB27-00100A	COIL HARMONIC; 5mH,86.0x94.5xTmm,20A,-	SA	1
10-2	3		DB37-00035A	TERMINAL BLOCK; DATB S30A-6P-M,MELAMINE,6	SA	1
10-3	3		DB61-04502D	CASE-EMI; RC090MHXEA,HIPS,L0,NATURAL,VE-1	SA	1
10-4	3	A0694	DB92-03542A	ASSY PCB SUB; SUB,GLOBAL 4WAY,230X130,380	SA	1
10-4-1	4	F0178	3601-001426	FUSE-ETC; 500V,25A,SLOW-BLOW,FIBER,10.3x3	SA	3
10-4-2	4	A0646	DB93-05379F	ASSY CONNECTOR WIRE-EARTH; 1,1015,16,YEL/	SA	1
10-4-3	4		DB93-10811A	ASSY CONNECTOR WIRE-EMI TO TERMINAL POWE; ASSY CONNECTOR WIRE-EMI TO TERMINAL POWE	SA	1
10-4-4	4	A0664	DB93-10871A	ASSY CONNECTOR WIRE-POWER; 2,1015,18,BRN,	SA	1

No.	Lvl.	Loc.	Material Code	Description & Specification	SNA	Qty.
10-5	3		DB92-04540A	ASSY KIT; PF#6,E1-PJT,INV Platform,Standa	SNA	1
10-5-1	4		0205-000178	GREASE-SILICON; YG6111,WHITE, for assembl	SA	0
10-5-2	4		DB61-06473A	CASE PCB; AC145JX4PHH1,ABS,COOL WHITE	SA	1
10-5-3	4	H0034	DB62-12095A	HEAT SINK; NEW PLATFORM #6,Al,15.58,200,1	SA	1
10-5-4	4	A2876	DB91-00306A	ASSY-SCREW MACHINE; BLDC INV. CONTROLLER,	SA	2
10-5-5	4	A2876	DB91-00307A	ASSY-SCREW MACHINE; WW-INV,M4*16,WSP,PH,+	SA	2
10-5-6	4		DB92-04537A	ASSY PCB INVERTER; INVERTER,E1-PJT,242X19	SA	1
10-6	3		DB92-04654B	ASSY KIT; OUTDOOR,EHS-R32,MAIN-OUT, PF#4/	SNA	1
10-6-1	4		DB61-05743A	CASE-PCB; AM053FXMDCH/AA,HIPS,T2,L243.3,N	SA	1
10-6-2	4	A0743	DB92-03558C	ASSY PCB MAIN-OUT; MAIN-OUT,AE6000J,192*1	SA	1
10-6-2-1	5		DB94-07964A	ASSY PCB AUTO-OUT; MAIN-OUT,AE6000J,192*1	SNA	1
10-6-2-1-1	6		DB94-07966A	ASSY PCB SMD-OUT; MAIN-OUT,AE6000J,192*12	SNA	1
10-6-3	4		DB93-12483A	ASSY PCB SUB-EEPROM; SUB,DVMPLUS4 UP,20*2	SA	1
10-7	3	A2934	DB93-04273B	ASSY CONNECTOR WIRE-COMM; 6,2095,26,BLU,S	SA	1
10-8	3		DB93-10864B	ASSY CONNECTOR WIRE-POWER RST; 3,1015,14,	SA	1
10-9	3	A3096	DB93-10966R	ASSY CONTROL OUT; HP,Inv,AC145JX4PHH1,PLA	SNA	1
10-9-1	4	T0179	DB65-00274A	TERMINAL BLOCK; TERMINAL BLOCK,Polycarbon	SA	1
10-9-2	4		DB90-05889D	ASSY CASE CONTROL; AC145JX4PHH1	SA	1
10-9-3	4	A0646	DB93-08805B	ASSY CONNECTOR WIRE-EARTH; 1,1015,18,YEL/	SA	1
10-9-4	4	A2934	DB93-10808J	ASSY CONNECTOR WIRE-COMM; 2,1015,22,RED,Y	SA	1
10-10	3	A0664	DB93-12364A	ASSY CONNECTOR WIRE-POWER; 3,1015,18,BRN,	SA	1
10-11	3		DB93-13218A	ASSY PCB SUB-HEATER; SUB,EHS_GEN3,42*60,2	SA	1
10-12	3		DB93-13262A	ASSY CONNECTOR WIRE-HEATER; 2,1015,18,BRN	SA	1
10-13	3	A2610	DB93-11241A	ASSY CONNECTOR WIRE-REACTOR; 2,1015,12,WH	SC	1