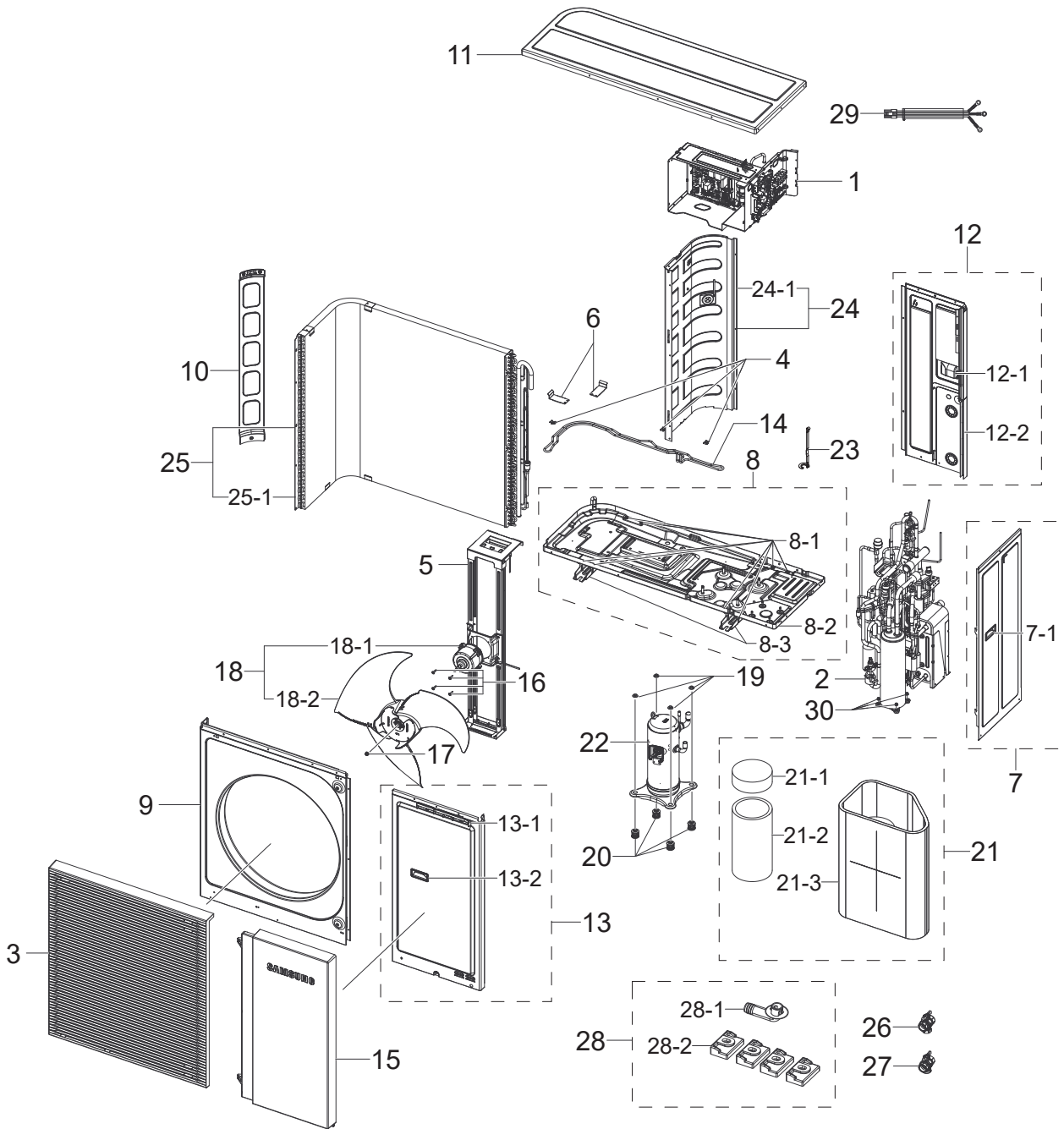


Exploded Views and Parts List

■ AE080BXYDGG/EU



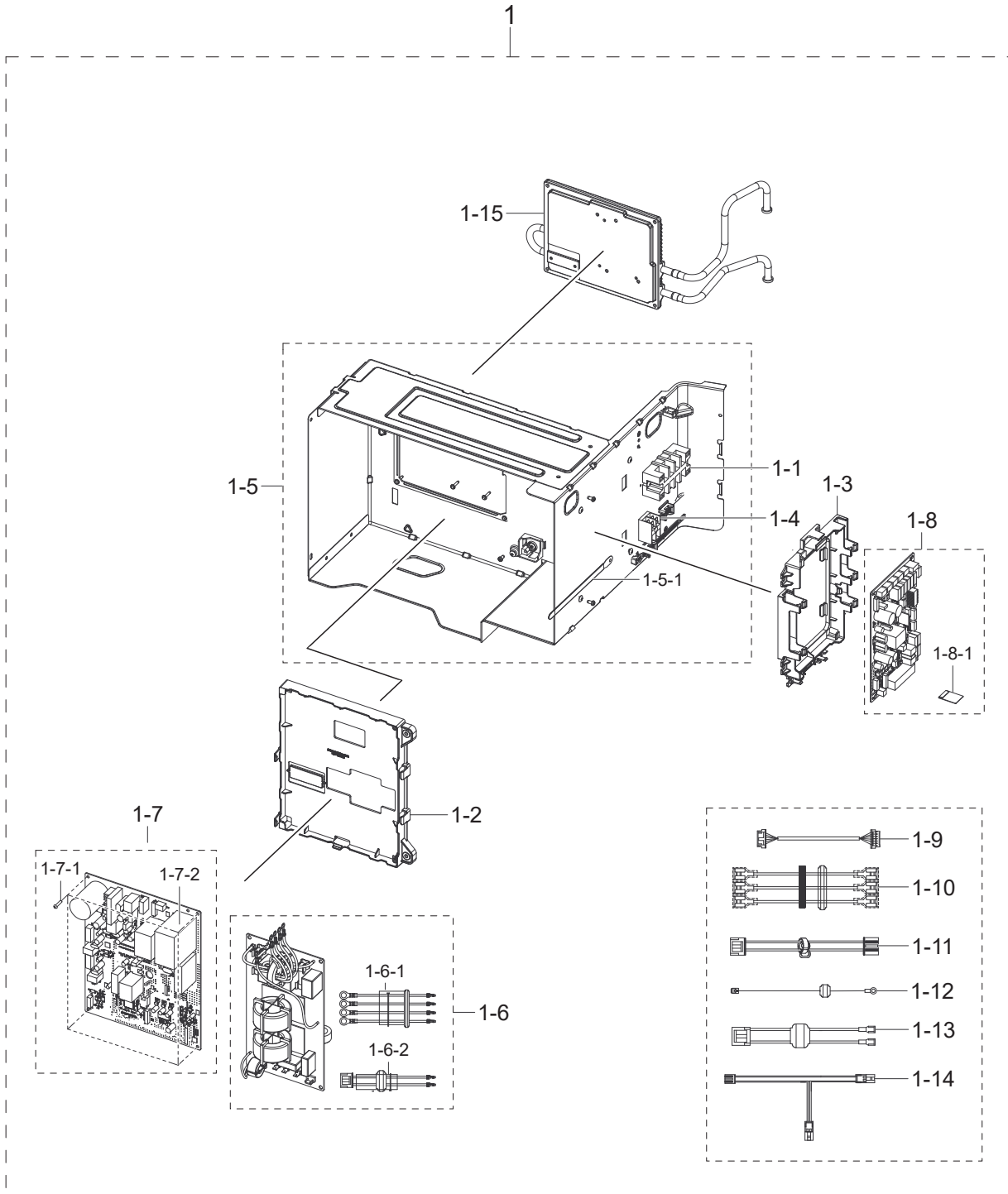
Parts List

No.	Code No.	Description	Specification	Q'TY	SA/SNA
1	DB92-05339A	ASSY PBA KIT-OUT MODULE	OUTDOOR,UB-S,3PHASE,Standard	1	SA
2	DB94-09295A	ASSY PATH-MODULE	AE080BXYDGG/EU	1	SA
3	DB63-04402A	GUARD FAN	EHS LOW NOISE,PP+TD20%,T3,BLACK CAVIAR,-,MT72S	1	SA
4	DB90-10783A	ASSY HOLDER	AE090MXEDEH/SC	3	SA
5	DB90-12480B	ASSY BRACKET MOTOR	AE6000B,ASSY	1	SA
6	DB90-12482A	ASSY COVER PLATE-LOW	AE6000B,GI-SGCC T1.2 PAINT	2	SA
7	DB90-12488A	ASSY CABI SIDE	EHS LOW NOISE	1	SA
7-1	DB64-02613D	HOLDER-UP	EHS LOW NOSIE,PP+TD20%,-,BLACK CAVIAR,-,MT72S	1	SA
8	DB90-12490A	ASSY BASE OUT-LARGE	AE6000B,EHS MONO LOW NOISE	1	SA
8-1	6011-007032	BOLT-HEX	M6,L12,Zn-Ni(SIL),HWH,SWRCH18A,Coating HWH, Organic/Inorganic/Ceramic	8	SA
8-2	DB90-12492A	ASSY BASE OUT	AE6000B,EHS MONO LOW NOISE	1	SA
8-3	DB90-12495A	ASSY CABI BASE-SUPPORT	AE6000B,EHS MONO LOW NOISE	2	SA
9	DB90-12491A	ASSY CABI FRONT-LF	EHS LOW NOISE	1	SA
10	DB90-12493A	ASSY CABI BACK-LF	EHS LOW NOISE	1	SA
11	DB90-12496A	ASSY CABI TOP	AE6000B,EHS MONO LOW NOISE	1	SA
12	DB90-12500A	ASSY CABI BACK-RH	AE6000B,EHS MONO LOW NOISE	1	SA
12-1	DB64-02613D	HOLDER-UP	EHS LOW NOSIE,PP+TD20%,-,BLACK CAVIAR,-,MT72S	1	SA
12-2	DB90-12499A	ASSY CABI BACK-LOW	AE6000B,EHS MONO LOW NOISE	1	SA
13	DB90-12501A	ASSY CABI FRONT-RH	EHS LOW NOSIE	1	SA
13-1	DB61-07772A	CASE-SUB	EHS LOW NOISE,PP+TD20%,-,L387.9, BLACK CAVIAR,-,MT72S	1	SA
13-2	DB64-02613D	HOLDER-UP	EHS LOW NOSIE,PP+TD20%,-,BLACK CAVIAR,-,MT72S	1	SA
14	DB47-00100A	HEATER SHEATH-BASE	AC230V,150W,-,L1400,-,YH396-03VR(BLUE),-	1	SA
15	DB63-04401A	COVER FRONT	EHS LOW NOISE,PP+TD20%,T3,-,BLACK CAVIAR,-,MT72S	1	SA
16	DB60-00150A	SCREW-SPECIAL	HWH,M4,L26,ZPC(WHT),SWRCH18A	4	SA
17	DB60-00405A	FASTENER-WASHER	RC100ZHXA,SWRCH10A,M8	1	SA
18	DB94-09292A	ASSY FAN OUT-MODULE	ASSY FAN PROPELLER DB94-08967A, MOTOR DB31-00643H	1	SA
18-1	DB31-00643H	MOTOR BLDC FAN	SIC-88FWJ-F1122-1,610rpm,310V,0.39A,122W,10 Pole,CW	1	SA
18-2	DB94-08967A	ASSY FAN PROPELLER	Fan Propeller,OD630	1	SA
19	DB60-30028A	NUT-FLANGE	HWH,M8,ZPC(WHT),SWRCH18A,P1.25/Washer Type(WP)	4	SA
20	DB92-04292A	ASSY DAMPER-GROMMET	AC036MXSCCC/AA	4	SA
21	DB94-09293A	ASSY FELT-MODULE	AE140BXYDEG/EU,EHS MONO LOW NOISE	1	SNA
21-1	DB63-04413A	FELT-COMP TOP OUT	EHS MONO LOW NOISE,FELT/PVC,T17.5,BLK,-,5V,BLACK	1	SA
21-2	DB63-04415A	FELT-COMP SIDE	EHS MONO LOW NOISE,FELT,T10,BLK,-,5V,BLACK	1	SA
21-3	DB63-04416A	FELT-COMP OUT	EHS MONO LOW NOISE,FELT/PVC,T17.5,BLK,-,5V,BLACK	1	SA
22	DS2BB5033FVA	SCP,COMP,SCPF,R32		1	-
23	DB81-00635A	SPRING ETC-SENSOR	DVM-SYSTEM,STS304,ID2.5,OD4.5,L44,T0.3,W2, NONE	3	SA
24	DB94-09125A	ASSY PARTITION	AE6000B,ASSY	1	SA
24-1	DB67-01763A	PARTITION	EHS LOW NOISE,GI-SGCC,T0.8,-,-,-	1	SA

■ Parts List

No.	Code No.	Description	Specification	Q'TY	SA/SNA
25	DB96-26139A	ASSY COND-MODULE	AE080BXYDEG/EU,2R	1	SA
25-1	DB96-26141A	ASSY COND	AE080BXYDEG/EU,2R	1	SA
26	DB96-25958A	ASSY VALVE-SERVICE	Ball,PF 1",Filter	1	SA
27	DB96-25959A	ASSY VALVE-SERVICE	Ball,PF 1"	1	SA
28	DB98-39680A	ASSY PACKING CASE AC-CESSORY	EHS LOW NOISE	1	SNA
28-1	DB67-00477A	DRAIN-PLUG OUT	UH140GZMC,PP,NATURAL,-,M1600	1	SA
28-2	DB73-20134A	RUBBER-LEG	V2-MD,NBR,T10,BLACK	4	SA
29	DB93-17642A	ASSY CONNECTOR WIRE-COMP	3,3343,12,RED,HLH1005-03/BLK,ST711146-2,-,800,PVC,670,-,-,COMP,EHS MONO LOW NOSIE,UB-S,-	1	SA
30	6021-001142	NUT-HEXAGON FLANGE	M5,ZPC(WHT),SWRCH10A,SERRATION	4	SA

■ ASSY PBA KIT-OUT MODULE

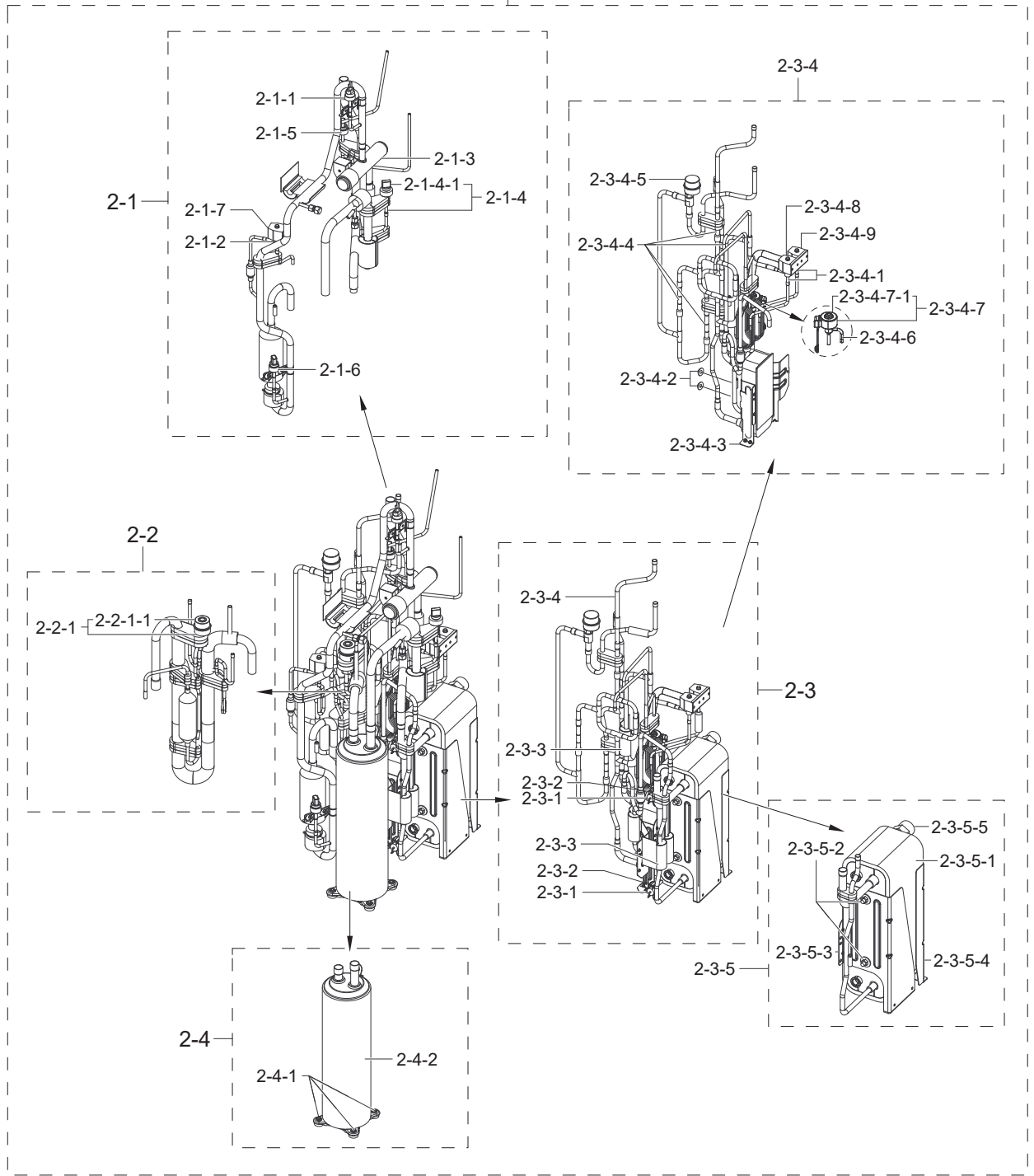


Parts List

No.	Code No.	Description	Specification	Q'TY	SA/SNA
1	DB92-05339A	ASSY PBA KIT-OUT MODULE	OUTDOOR,UB-S,3PHASE,Standard	1	SA
1-1	DB37-00034B	TERMINAL BLOCK	JXW-L,MELAMINE,600V,40A,85.8x45x28.5mm, D5,NO,4P,SCREW-SCREW,L1(R),L2(S),L3(T),L4(N),,	1	SA
1-2	DB61-07770A	CASE PCB	EHS LOW NOISE,ABS,T2.5,L248,NATURAL,- ,VE-0858	1	SA
1-3	DB61-07781A	CASE CONTROL	EHS LOW NOISE,ABS,-,L206,NATURAL,-,VE-0858	1	SA
1-4	DB65-00274A	TERMINAL BLOCK	TERMINAL BLOCK,Polycarbonate, Phenol,AC300V ,20A,22x36.4x24.2mm,0mm,D,-,2P,-,B_Type	1	SA
1-5	DB90-12481B	ASSY CASE CONTROL-SUB	AE6000B,ASSY	1	SA
1-5-1	DB61-02728A	HOLDER-WIRE	-,GI-SGCC,T0.5,W8.6,L126,-,-,-,-	2	SA
1-6	DB92-03542B	ASSY PCB SUB	SUB,UB-S,230X130,380V,-,-,3PHASE EMI,N,Standard	1	SA
1-6-1	DB93-10811C	ASSY CONNECTOR WIRE- POWER	4,1015,14,WHT,ST710197-2,SIN-61T-2.6S,- ,600,PVC,150,RING34 C/T,4,EMI-TB, EHS MONO LOW NOSIE,UB-S,-	1	SA
1-6-2	DB93-10871B	ASSY CONNECTOR WIRE- POWER	2,1015,18,BRN,YH396-03VR/WHT,SIN-21T-1.8S,- ,300,-,-,-,EMI-INV,EHS MONO LOW NOSIE,UB-S,-	1	SA
1-7	DB92-05342A	ASSY PCB INVERTER	INVERTER,UB-S,194X242,380V,5V/15V,- ,PF6_22R,Y,SMPS,Standard	1	SA
1-7-1	6003-001925	SCREW-TAPTYPE	SWRCH18A,PASS,L10,M2.5,PH,+,B	4	SA
1-7-2	DB27-00140A	COIL HARMONIC	470uH,53x55x28mm,20A,OR40 " V",N	1	SA
1-8	DB92-05343A	ASSY PCB MAIN-OUT	MAIN,UB-S,192X121,220~240V,5V/12V,- ,MAIN,Y,SMPS,Standard	1	SA
1-8-1	DB93-12483B	ASSY PCB SUB	SUB,E2P PBA,UB-S,20*25,lock type,N,Standard	1	SA
1-9	DB93-04273B	ASSY CONNECTOR WIRE- COMM	6,2095,26,BLU,SMH250-06L/WHT,SMH250-06L/ WHT,-,850,-,-,-,PBA-PBA,CRYSTAL JUNIOR,-	1	SA
1-10	DB93-10864A	ASSY CONNECTOR WIRE- EMI TO INVERTER POWE	3,1015,14,WHT,175022-1,175022-1,-,400,-,-,-, PBA-PBA,RC100DHXH1,-,-	1	SA
1-11	DB93-10809E	ASSY CONNECTOR WIRE- POWER	2,1015,18,BRN,YH396-03VR/WHT,YH396-03VR/ WHT,-,400,PVC VW-1, 8phi, BLK,150,-,-,EMI- MAIN,EHS MONO LOW NOSIE,UB-S,-	1	SA
1-12	DB93-10906C	ASSY CONNECTOR WIRE- EARTH	1,1015,18,YEL/GRN,ST730711-3,ST710095-3,- 200,-,-,-,PBA-PLATE,VENICE,CAC	1	SA
1-13	DB93-13113A	ASSY CONNECTOR WIRE- COMM	2,1015,20,RED,YH396-02VR/RED,175020-1,-, 120,-,-,-,UNKNOWN,MAN U,N,-,MAN U	1	SA
1-14	DB93-17641A	ASSY CONNECTOR WIRE- DC SIGNAL	2,1015,18,BLK,YH396-02VR/WHT,YH396- H02PL/WHT,YH396-H02PL/WHT,100,-,-,-,DC SIGNAL,EHS MONO LOW NOSIE,UB-S,-	1	SA
1-15	DB96-26167A	ASSY TUBE CONNECTOR- MAIN COOLING	UB-S	1	SNA

■ ASSY PATH-MODULE

2



Parts List

No.	Code No.	Description	Specification	Q'TY	SA/SNA
2	DB94-09294A	ASSY PATH-MODULE	AE140BXYDGG/EU	1	SA
2-1	DB96-26150A	ASSY TUBE 4WAY	UB-S,8KW/12,14KW	1	SA
2-1-1	DB32-00194E	SENSOR PRESSURE	5V,5.0Mpa,Refrigerant,L500,AE140BXYDGG/EU	1	SA
2-1-2	DB33-00069A	VALVE SOLENOID	1.9,6.35	1	SA
2-1-3	DB62-12731B	VALVE 4WAY	BRASS,5HP, 4.6MPa,COMMON	1	SA
2-1-4	DB95-01469Q	ASSY-SENSOR LOW PRES-SURE	RD050MHXH2,4,5HP	1	SC
2-1-4-1	DB32-00195B	SENSOR PRESSURE	Refrigerant,5V,2.0MPa,1500	1	SA
2-1-5	DB96-24632A	ASSY SWITCH PRESSURE	HP,AC071RXADKG/EU,ASSY	1	SA
2-1-6	DB96-26156A	ASSY SWITCH PRESSURE-HIGH	UB-S,WHT,L800	1	SA
2-1-7	DB96-26164A	ASSY VALVE-SOLENOID	UB-S,RED	1	SA
2-2	DB96-26151A	ASSY TUBE SUCTION	UB-S	1	SA
2-2-1	DB96-26188A	ASSY VALVE-EXPANSION	R32,AE140BXYDEG/EU,400mm	1	SA
2-2-1	DB67-01766A	RUBBER	EHS LOW NOISE,NR,-,-,-	4	SA
2-2-1-1	DB62-13246A	VALVE GEAR EXPAN	-,BRASS,-,-,-,- ,6.4mm,2000,2000mm,7mm,-,-,-	1	SA
2-2-2	DB96-26162A	ASSY TUBE CONNECTOR-ACCUMULATOR	UB-S	1	SA
2-3	DB96-26153B	ASSY TUBE SUBCOOLER	UB-S,8KW	1	SA
2-3-1	DB32-00290A	SENSOR TEMP	L700,10kohm,3%,25C,6phi,AC,UB-S	1	SA
2-3-2	DB65-00323A	CLAMP	RC090MHXEA,SK5,NATURAL	2	SA
2-3-3	DB81-00635A	SPRING ETC-SENSOR	DVM-SYSTEM,STS304,ID2.5,OD4.5,L44, T0.3,W2,NONE	3	SA
2-3-4	DB96-26152B	ASSY TUBE EEV	UB-S,8KW	1	SA
2-3-4-1	DB33-00069A	VALVE SOLENOID	1.9,6.35	2	SA
2-3-4-2	DB60-30028A	NUT-FLANGE	HWH,M8,ZPC(WHT),SWRCH18A, P1.25/Washer Type(WP)	2	SA
2-3-4-3	DB61-07779A	BRACKET TUBE-SUPPORT	EHS LOW NOISE,GI-SGCC,T1.2,W180,-,-,-,72H	1	SA
2-3-4-4	DB62-01400G	VALVE CHECK	BRASS,3/8", 1-1PASS,1-1	4	SA
2-3-4-5	DB62-06172E	VALVE GEAR EXPAN	BRASS,4.6MPa,3.2mm,2000,1000mm	1	SA
2-3-4-6	DB62-13071A	VALVE EXPAN	STS304,53.3,1.3mm,500,6.5mm	1	SA
2-3-4-7	DB96-26168A	ASSY VALVE-EXPANSION	UB-S,L800 BLUE	1	SA
2-3-4-7-1	DB62-08126A	VALVE COIL EXPAN	DC12V,COIL,1200mm,MOLDING,T-type	1	SA
2-3-4-8	DB96-26165A	ASSY VALVE-SOLENOID	UB-S,WHT	1	SA
2-3-4-9	DB96-26166A	ASSY VALVE-SOLENOID	UB-S,BLK	1	SA
2-3-5	DB96-25995A	ASSY PLATE HEAT EX-CHANGER	AE080BXYDEG/EU,B3-030-72-4.5-H, 72 plates	1	SA
2-3-5-1	DB47-00102A	HEATER	AC230V,32W,-,-,L1400,-,YDH236-H02E,PVC	1	SA
2-3-5-2	DB60-30028A	NUT-FLANGE	HWH,M8,ZPC(WHT),SWRCH18A, P1.25/Washer Type(WP)	4	SA
2-3-5-3	DB61-07775A	BRACKET-BODY	EHS LOW NOISE,GI-SGCC,T1.2,W186,-,-,-,120H	1	SA
2-3-5-4	DB61-07777A	BRACKET-SUPPORT	EHS LOW NOISE,GI-SGCC,T1.2,W67,-,-,-	1	SA
2-3-5-5	DB96-25995B	ASSY PLATE HEAT EX-CHANGER	AE140BXYDEG/EU,B3-030-120-4.5-H, 120 plates	1	SA
2-4	DB96-26163A	ASSY TUBE CONNECTOR-ACCUMULATOR	UB-S,8KW/12,14KW	1	SA
2-4-1	DB67-01766A	RUBBER	EHS LOW NOISE,NR,-,-,-	4	SA
2-4-2	DB96-26162A	ASSY TUBE CONNECTOR-ACCUMULATOR	UB-S	1	SA