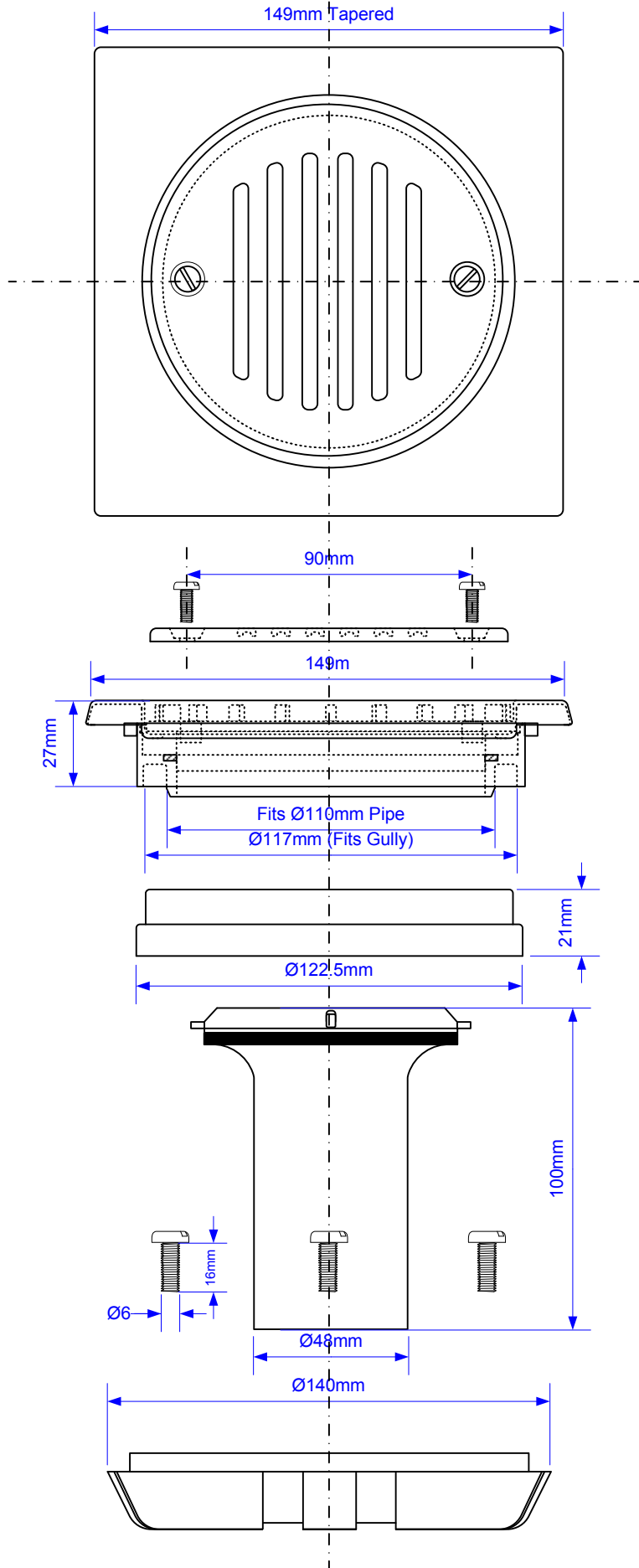


Code:

TSGCONVSS



Drawing verified
correct as of:

01/10/2014
RM

DRAWN BY

RM

REVISED

01/10/2014

FILENAME

TSGCONVSS.VSD

SCALE

1: 2

DATE

01/10/2014