



Technical Specification

Max Operating Pressure	16 Bar
Pressure Adjustment Range	0.5 - 6 Bar
Factory Preset Pressure	3 Bar
Maximum Inlet Temperature	80°

- **Gauge Supplied as Standard**
- **Can Be Fitted Vertically or Horizontally**
- **Available in 15mm & 22mm**
- ****WRAS Approved****
- **Integral Mesh Gauze To Help Maintain Performance Levels**

CODE:

PRVG15

PRVG22

DESCRIPTION:

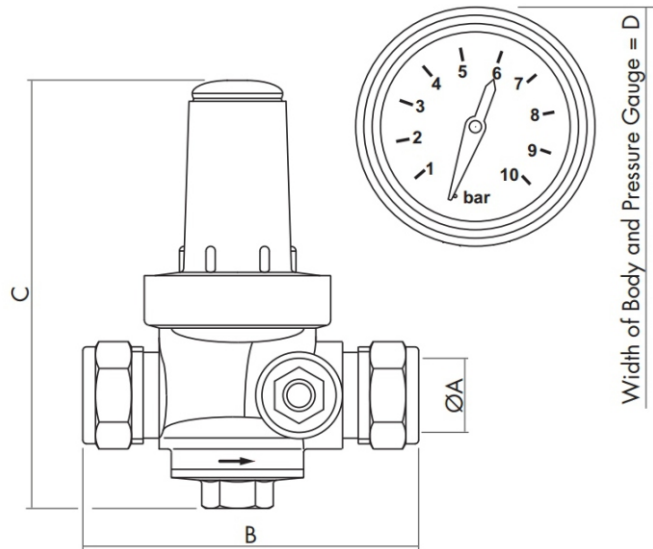
Trade-Tec 15mm Pressure Reducing Valve

Trade-Tec 22mm Pressure Reducing Valve



Dimensions

Code	A	B	C	D
PRVG15	15	98	104.5	117
PRVG22	22	98	104.5	117



Flow Characteristics

